

SERVICE MANUAL

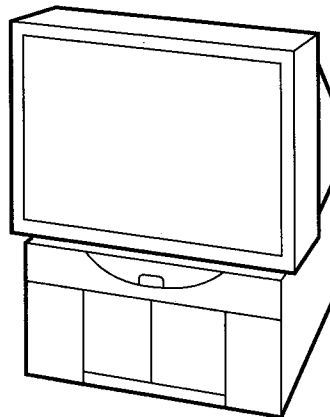
RA-1 CHASSIS

<u>MODEL</u>	<u>COMMANDER</u>	<u>DEST.</u>	<u>CHASSIS NO.</u>	<u>MODEL</u>	<u>COMMANDER</u>	<u>DEST.</u>	<u>CHASSIS NO.</u>
KP-46V25	RM-Y131	US	SCC-H53D-A	KP-61V25	RM-Y131	US	SCC-H53F-A
KP-46V25	RM-Y131	Canadian	SCC-H58E-A				
KP-53V25	RM-Y131	US	SCC-H53E-A				
KP-53V25	RM-Y131	Canadian	SCC-H58D-A				

Note :

1. Adjustment Manual for this model is separately published.

	Adjustment Manual
Part No.	9-965-053-01



Note: All Corrections and Supplements are attached to the back of the Manual.



COLOR REAR VIDEO PROJECTOR
SONY®

※ Please file according to model size. ■

46 53 61

SPECIFICATIONS

Projection system	3 picture tubes, 3 lenses, horizontal in-line system	AUDIO (VAR/FIX) OUT (phono jacks) :												
Picture tube	7 inch high-brightness monochrome tubes (6.3 raster size), with optical coupling and liquidcooling system	900 mVrms (100% modulation) Impedance : 5 kilohms												
Projection lenses	High performance, large-diameter hybrid lens F1.0	Speaker Full range speaker 100 mm (3.9 inches) diameter												
Screen size (measured diagonally)	<table border="1" style="width: 100%; border-collapse: collapse;"> <tr> <td style="width: 50%;">KP-46V25</td> <td style="width: 50%;">46 inches</td> </tr> <tr> <td>KP-53V25</td> <td>53 inches</td> </tr> <tr> <td>KP-61V25</td> <td>61 inches</td> </tr> </table>	KP-46V25	46 inches	KP-53V25	53 inches	KP-61V25	61 inches	Speaker output 10 W x 2 Power requirement 120 V, 60 Hz Power consumption Max. 240 W						
KP-46V25	46 inches													
KP-53V25	53 inches													
KP-61V25	61 inches													
Screen brightness	<table border="1" style="width: 100%; border-collapse: collapse;"> <tr> <td style="width: 50%;">KP-46V25</td> <td style="width: 50%;">1500 cd/m²</td> </tr> <tr> <td>KP-53V25</td> <td>1200 cd/m²</td> </tr> <tr> <td>KP-61V25</td> <td>900 cd/m²</td> </tr> </table>	KP-46V25	1500 cd/m ²	KP-53V25	1200 cd/m ²	KP-61V25	900 cd/m ²	Standby mode :4W						
KP-46V25	1500 cd/m ²													
KP-53V25	1200 cd/m ²													
KP-61V25	900 cd/m ²													
Television system	American TV standards	<table border="1" style="width: 100%; border-collapse: collapse;"> <thead> <tr> <th style="width: 20%;"></th> <th style="width: 50%;">Dimensions (W/H/D)</th> <th style="width: 30%;">Mass</th> </tr> </thead> <tbody> <tr> <td>KP-46V25</td> <td>1,066 x 1,334 x 698 mm (42 x 52 5/8 x 27 1/2 inches)</td> <td>92 kg (202 lbs 13 oz)</td> </tr> <tr> <td>KP-53V25</td> <td>1,218 x 1,441 x 698 mm (48 x 56 3/4 x 27 1/2 inches)</td> <td>99 kg (218 lbs 4 oz)</td> </tr> <tr> <td>KP-61V25</td> <td>1,338 x 1,619 x 774 mm (52 3/4 x 63 3/4 x 30 1/2 inches)</td> <td>155 kg (341 lbs 12 oz)</td> </tr> </tbody> </table>		Dimensions (W/H/D)	Mass	KP-46V25	1,066 x 1,334 x 698 mm (42 x 52 5/8 x 27 1/2 inches)	92 kg (202 lbs 13 oz)	KP-53V25	1,218 x 1,441 x 698 mm (48 x 56 3/4 x 27 1/2 inches)	99 kg (218 lbs 4 oz)	KP-61V25	1,338 x 1,619 x 774 mm (52 3/4 x 63 3/4 x 30 1/2 inches)	155 kg (341 lbs 12 oz)
	Dimensions (W/H/D)	Mass												
KP-46V25	1,066 x 1,334 x 698 mm (42 x 52 5/8 x 27 1/2 inches)	92 kg (202 lbs 13 oz)												
KP-53V25	1,218 x 1,441 x 698 mm (48 x 56 3/4 x 27 1/2 inches)	99 kg (218 lbs 4 oz)												
KP-61V25	1,338 x 1,619 x 774 mm (52 3/4 x 63 3/4 x 30 1/2 inches)	155 kg (341 lbs 12 oz)												
Channel coverage	VHF : 2-13 / UHF : 14-69 / CATV : 1-125	Supplied accessories Remote commander RM-Y131 (1) Size AA (R6) battery (1)												
Antenna	75 ohm external antenna terminal for VHF/UHF	Optional accessories U/V mixer EAC-66 Connecting cables RK-74A, VMC-810S/820S, YC-15V/30V, VMC-720M High-contrast protective screen SCN-46X1 (For KP-46V25) SCN-53X1 (For KP-53V25)												
Inputs/output	<p>VIDEO IN 1</p> <p>S VIDEO IN (4-pin mini DIN) :</p> <p>Y : 1 Vp-p, 75-ohms unbalanced, sync negative</p> <p>C : 0.286 Vp-p (Burst signal), 75 ohms</p> <p>VIDEO (phone jack) :</p> <p>1 Vp-p, 75-ohms unbalanced, sync negative</p> <p>AUDIO (phone jacks) :</p> <p>500 mVrms (100% modulation) Impedance : 47 kilohms</p> <p>VIDEO INPUT 2 and VIDEO IN 3</p> <p>VIDEO (phone jacks) :</p> <p>1 Vp-p, 75-ohms unbalanced, sync negative</p> <p>AUDIO (phone jacks) :</p> <p>500 mVrms (100% modulation) Impedance : 47 kilohms</p> <p>VIDEO OUT 3</p> <p>VIDEO (phone jacks) :</p> <p>1 Vp-p, 75-ohms unbalanced, sync negative</p> <p>AUDIO (phone jacks) :</p> <p>500 mVrms (100% modulation) Impedance : 10 kilohms</p> <p>MONITOR OUT</p> <p>VIDEO (phone jack) :</p> <p>1 Vp-p, 75-ohms unbalanced, sync negative</p> <p>AUDIO (phone jacks) :</p> <p>500 mVrms (100% modulation) Impedance : 10 kilohms</p>	Design and specifications are subject to change without notice.												

SAFETY CHECK-OUT (US model only)

After correcting the original service problem, perform the following safety checks before releasing the set to the customer:

1. Check the area of your repair for unsoldered or poorly-soldered connections. Check the entire board surface for solder splashes and bridges.
2. Check the interboard wiring to ensure that no wires are "pinched" or contact high-wattage resistors.
3. Check that all control knobs, shields, covers, ground straps, and mounting hardware have been replaced. Be absolutely certain that you have replaced all the insulators.
4. Look for unauthorized replacement parts, particularly transistors, that were installed during a previous repair. Point them out to the customer and recommend their replacement.
5. Look for parts which, through functioning, show obvious signs of deterioration. Point them out to the customer and recommend their replacement.
6. Check the line cords for cracks and abrasion. Recommend the replacement of any such line cord to the customer.
7. Check the condition of the monopole antenna (if any). Make sure the end is not broken off, and has the plastic cap on it. Point out the danger of impalement on a broken antenna to the customer, and recommend the antenna's replacement.
8. Check the B+ and HV to see they are at the values specified. Make sure your instruments are accurate; be suspicious of your HV meter if sets always have low HV.
9. Check the antenna terminals, metal trim, "metallized" knobs, screws, and all other exposed metal parts for AC leakage. Check leakage as described below.

LEAKAGE TEST

The AC leakage from any exposed metal part to earth ground and from all exposed metal parts to any exposed metal part having a return to chassis, must not exceed 0.5mA (500 microampers). Leakage current can be measured by any one of three methods.

1. A commercial leakage tester, such as the Simpson 229 or RCA WT-540A. Follow the manufacturers' instructions to use these instruments.
2. A battery-operated AC milliammeter. The Data Precision 245 digital multimeter is suitable for this job.
3. Measuring the voltage drop across a resistor by means of a VOM or battery-operated AC voltmeter. The "limit" indication is 0.75V, so analog meters must have an accurate low-voltage scale. The Simpson 250 and Sanwa SH-63Trd are examples of a passive VOM that is suitable. Nearly all battery operated digital multimeters that have a 2V AC range are suitable. (See Fig. A)

HOW TO FIND A GOOD EARTH GROUND

A cold-water pipe is guaranteed earth ground; the cover-plate retaining screw on most AC outlet boxes is also at earth ground. If the retaining screw is to be used as your earth-ground, verify that it is at ground by measuring the resistance between it and a cold-water pipe with an ohmmeter. The reading should be zero ohms. If a cold-water pipe is not accessible, connect a 60-100 watts trouble light (not a neon lamp) between the hot side of the receptacle and the retaining screw. Try both slots, if necessary, to locate the hot side of the line, the lamp should light at normal brilliance if the screw is at ground potential. (See Fig. B)

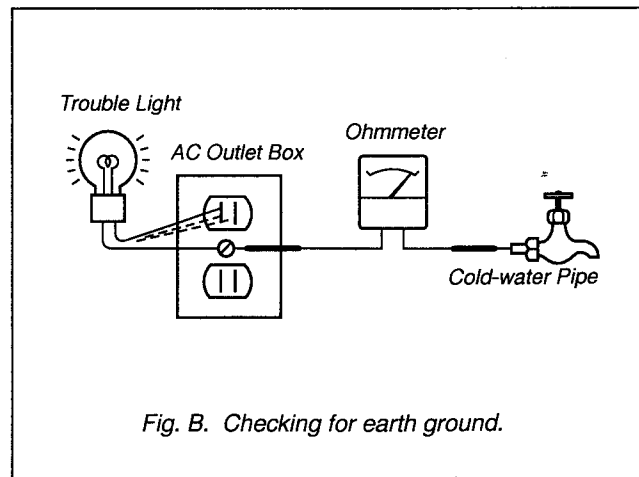
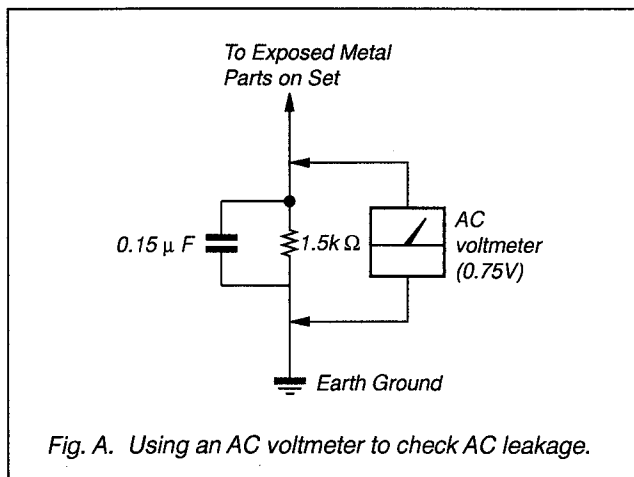


TABLE OF CONTENTS

<u>Section</u>	<u>Title</u>	<u>Page</u>	<u>Section</u>	<u>Title</u>	<u>Page</u>
1. GENERAL			3. SAFETY RELATED ADJUSTMENTS		18
	Step 1 : Installing the projection TV	5	4. DIAGRAMS		
	Step 2 : Connections	5	4-1. Block Diagrams (1)	24	
	Step 4 : Setting up the projection TV automatically (AUTO SET UP)	8	Block Diagrams (2)	27	
	Setting the clock (CURRENT TIME SET)	10	Block Diagrams (3)	30	
	Setting the timer to turn the projection TV on and off (ON/OFF TIMER)	11	Block Diagrams (4)	33	
	Blocking out a channel (CHANNEL BLOCK)	11	4-2. Circuit Boards Location	36	
	Customizing the channel number buttons (CH CAPTION/GUIDE)	12	4-3. Printed Wiring Board and Schamatic Diagrams	36	
	Setting video labels (VIDEO LABEL)	12	• A Board	39	
	Displaying Caption Vision (CAPTION VISION/XDS)	13	• D Board	43	
	Operating a cable box	13	• U Board	51	
			• M Board	55	
2. DISASSEMBLY			• P Board	63	
2-1-1. REAR PLATE REMOVAL (KP-46V25/53V25)	14		• HA Board	68	
2-1-2. REAR PLATE REMOVAL (KP-61V25)	14		• E Board	69	
2-2. CHASSIS ASSY REMOVAL	14		• G Board	77	
2-3. SERVICE POSITION	14		• ZB Board	80	
2-4. G BOARD REMOVAL	15		• HB Board	80	
2-5. D BOARD REMOVAL	15		• ZG Board	81	
2-6. U BOARD REMOVAL	15		• ZR Board	82	
2-7. M BOARD REMOVAL	15		• CR Board	86	
2-8. HA BOARD REMOVAL	16		• CG Board	88	
2-9-1. BEZNET REMOVAL (KP-41T15/53V25)	16		• CB Board	89	
2-9-2. SCREEN FRAME REMOVAL (KP-61V25)	16		4-4. Semiconductions	92	
2-10-1. MIRROR COVER REMOVAL (KP-41T15/53V25)	16		5. EXPLODED VIEWS		
2-10-2. MIRROR COVER REMOVAL (KP-61V25)	17		5-1. Cover (KP-46V25/53V25)	94	
2-11. HIGH-VOLTAGE CABLE INSTALLATION AND REMOVAL	17		5-2. Cover (KP-61V25)	95	
2-12. PICTURE TUBE REMOVAL	17		5-3. Chassis	96	
			5-4. Picture tube	97	
			6. ELECTRICAL PARTS LIST	98	

(CAUTION)

SHORT CIRCUIT THE ANODE OF THE PICTURE TUBE AND THE ANODE CAP TO THE METAL CHASSIS, CRT SHIELD, OR CARBON PAINTED ON THE CRT, AFTER REMOVING THE ANODE.

WARNING!!

AN ISOLATION TRANSFORMER SHOULD BE USED DURING ANY SERVICE TO AVOID POSSIBLE SHOCK HAZARD, BECAUSE OF LIVE CHASSIS.

THE CHASSIS OF THIS RECEIVER IS DIRECTLY CONNECTED TO THE AC POWER LINE.

SAFETY-RELATED COMPONENT WARNING!!

COMPONENTS IDENTIFIED BY SHADING AND MARK Δ ON THE SCHEMATIC DIAGRAMS, EXPLODED VIEWS AND IN THE PARTS LIST ARE CRITICAL TO SAFE OPERATION. REPLACE THESE COMPONENTS WITH SONY PARTS WHOSE PART NUMBERS APPEAR AS SHOWN IN THIS MANUAL OR IN SUPPLEMENTS PUBLISHED BY SONY. CIRCUIT ADJUSTMENTS THAT ARE CRITICAL TO SAFE OPERATION ARE IDENTIFIED IN THIS MANUAL. FOLLOW THESE PROCEDURES WHENEVER CRITICAL COMPONENTS ARE REPLACED OR IMPROPER OPERATION IS SUSPECTED.

(ATTENTION)

APRES AVOIR DECONNECTE LE CAP DE L'ANODE, COURT-CIRCUITER L'ANODE DU TUBE CATHODIQUE ET CELUI DE L'ANODE DU CAP AU CHASSIS METALLIQUE DE L'APPAREIL, OU AU COUCHE DE CARBONE PEINTE SUR LE TUBE CATHODIQUE OU AU BLINDAGE DU TUBE CATHODIQUE.

ATTENTION!!

AFIN D'EVITER TOUT RISQUE DELECTROCUTION PROVENANT D'UN CHASSIS SOUS TENSION, UN TRANSFORMATEUR D'ISOLEMENT DOIT ETRE UTILISE LORS DE TOUT DEPANNAGE. LE CHASSIS DE CE RECEPTEUR EST DIRECTEMENT RACCORDE A L'ALIMENTATION SECTEUR.

ATTENTION AUX COMPOSANTS RELATIFS Á LA SÉCURITÉ!!

LES COMPOSANTS IDENTIFIÉS PAR UNE TRAME ET PAR UNE MAPQUE Δ SUR LES SCHÉMAS DE PRINCIPE, LES VUES EXPLOSÉES ET LES LISTES DE PIÉCES CONT D'UNE IMPORTANCE CRITIQUE POUR LA SÉCURITÉ DU FONCTIONNEMENT. NE LES REMPLACER QUE PAR DES COMPOSANTS SONY DONT LE NUMÉRO DE PIÉCE EST INDIQUÉ DANS LE PRÉSENT MANUEL OU DANS DES SUPPLÉMENTS PUBLIÉS PAR SONY. LES RÉGLAGES DE CIRCUIT DONT L'IMPORTANCE EST CRITIQUE POUR LA SÉCURITÉ DU FONCTIONNEMENT SONT IDENTIFIÉS DANS LE PRÉSENT MANUEL. SUIVRE CES PROCÉDURES LORS DE CHAQUE REMPLACEMENT DE COMPOSANTS CRITIQUES, OU LORSQU'UN MAUVAIS FONCTIONNEMENT EST SUSPECTÉ.

SECTION 1 GENERAL

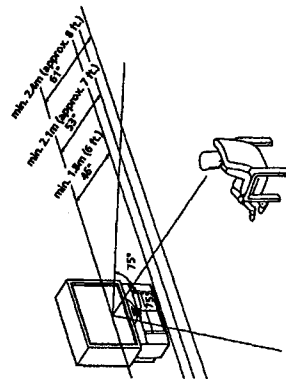
The operating instructions mentioned here are partial abstracts from the Operating Instruction Manual. The page numbers of the Operating Instruction Manual remain as in the manual.

Getting Started

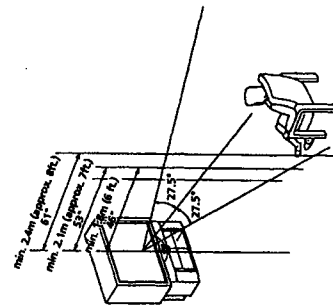
Step 1: Installing the projection TV

For the best picture quality, install the projection TV within the areas shown below.

Optimum viewing area (Horizontal)

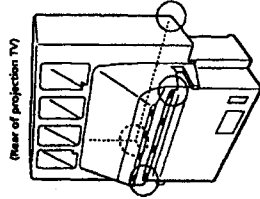


Optimum viewing area (Vertical)



Carrying your projection TV

Be sure to grasp the portions indicated when carrying the projection TV, and to use more than two people.



Preparing for your projection TV

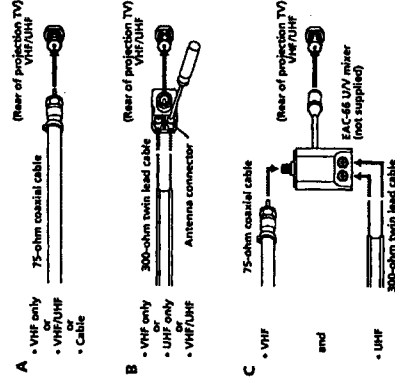
Before you use your projection TV, adjust convergence. For the procedure, see "Step 4: Setting up the projection TV automatically (AUTO SET UP)" on page 13.

Step 2: Connections

Although you can use either an indoor antenna or outdoor antenna with your projection TV, we recommend connecting to an outdoor antenna or a cable TV system for improved picture quality.

To an antenna

Connect your antenna cable to the VHF/UHF antenna terminal. If you cannot connect your antenna cable directly to the terminal, follow one of the instructions below depending on your cable type.



Notes

- Most VHF/UHF combination antennas have a signal splitter. Remove the splitter before attaching the appropriate connector.
- If you use the U/V mixer, snow and noise may appear in the picture when viewing cable TV channels over 57(M+1).

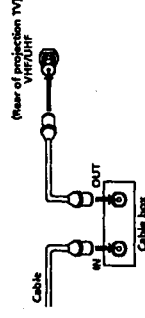
Connecting an antenna/cable TV system without a VCR

To cable or antenna

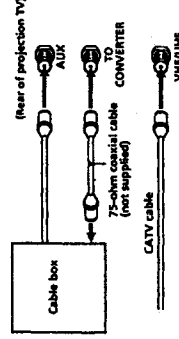


To cable box

If your cable company requires you to connect a cable box, make the connection as follows:



To cable box and cable



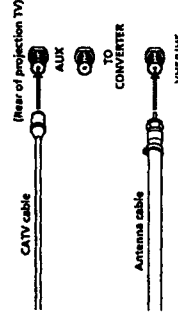
Pay cable TV systems use scrambled or encoded signals requiring the cable box* in addition to the normal cable connection.

- The cable box will be supplied by the cable company.

Note

- You cannot watch the signal through AUX connector as a window picture.

To cable and antenna



Note

- Do not connect anything to the TO CONVERTER connector in this case.

Connecting an antenna/cable TV system with a VCR

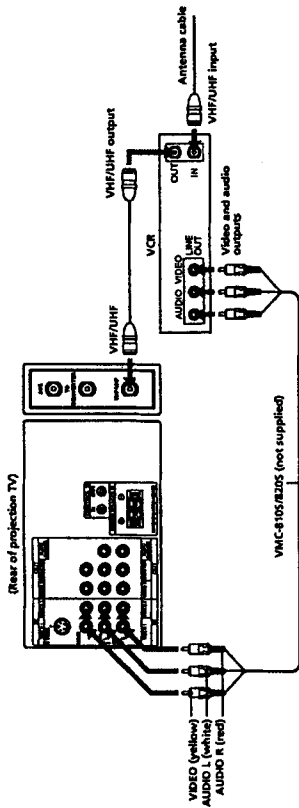
For details on connection, see the instruction manual of your VCR. Before connecting, disconnect the AC power cords of the equipment to be connected.

After making these connections, you will be able to do the following:

- View the playback of video tapes
- Record one TV program while viewing another program

To a conventional VCR

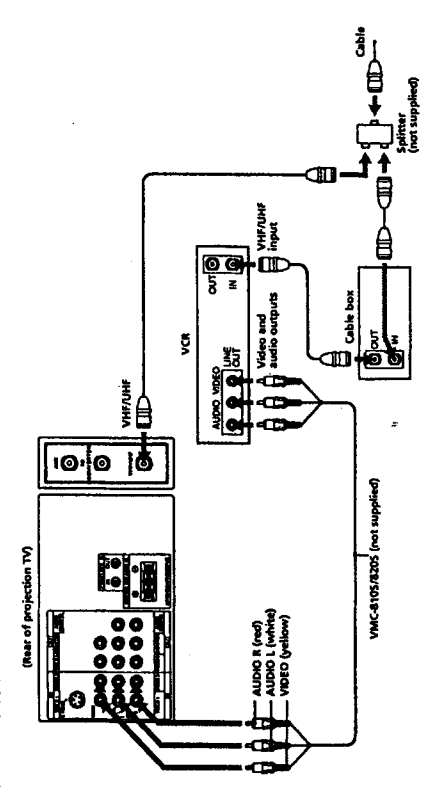
Without a cable box



Note

- To connect a monaural VCR, connect the audio output of the VCR to AUDIO L (MONO) or VIDEO 1/3 IN on the projection TV.
- Do not connect the cable to the S VIDEO connector on the projection TV.

With a cable box



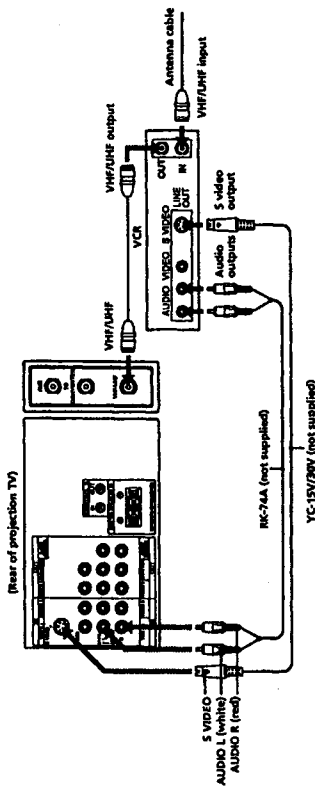
Getting Started | 7-EN

To an S video equipped VCR

If your VCR has an S video output jack, make the connection as follows.

Whenever you connect the cable to the S VIDEO connector, the projection TV automatically receives S video signals.

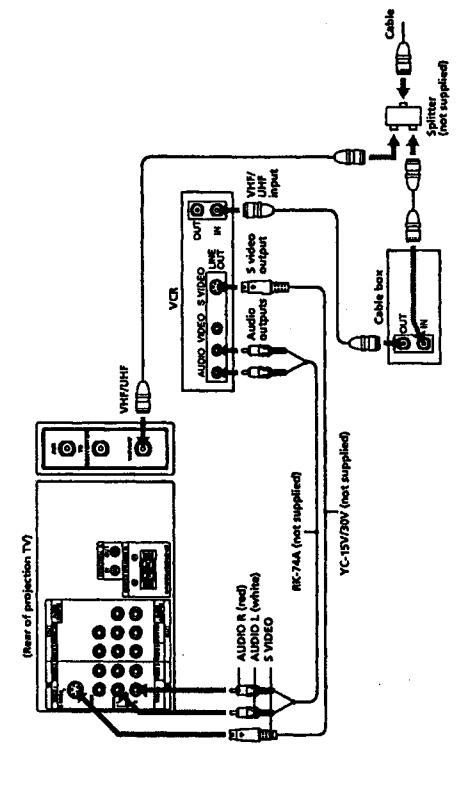
Without a cable box



Note

- Video signals are composed of Y (luminance) and C (chroma) signals. The S connection sends the two signals separately preventing degradation, and gives better picture quality compared to conventional connection.

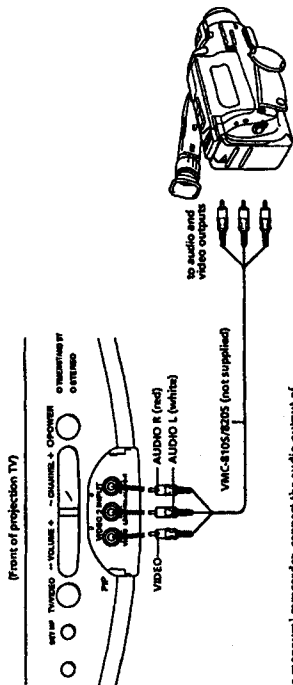
With a cable box



Getting Started | 8-EN

Connecting a camcorder

This connection is convenient for watching the picture from a camcorder.



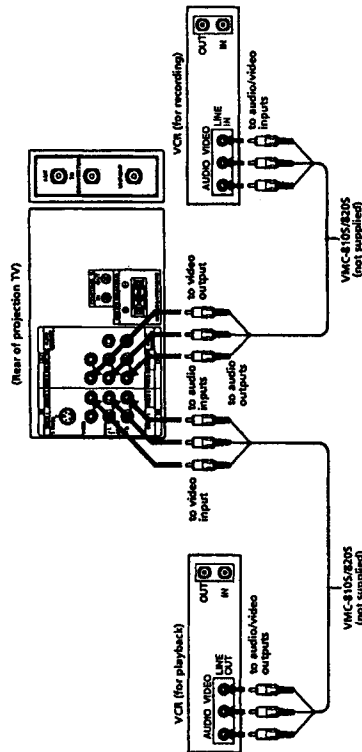
Note

- To connect a monaural camcorder, connect the audio output of the camcorder to AUDIO L (MONO) of VIDEO 2 INPUT on the projection TV.

Connecting two VCRs for tape editing using VIDEO 3 IN and OUT

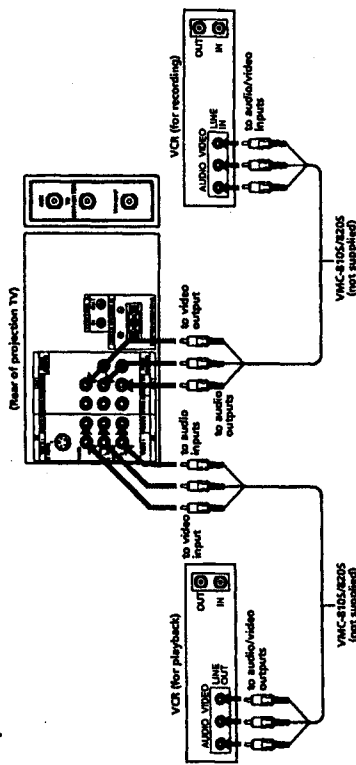
You can watch input images different from the image being recorded.

The VIDEO 3 OUT jacks output only the signal from the VIDEO 3 IN jacks. If you make the connection as shown below, you can watch images from either antenna, cable, VIDEO 1 IN or VIDEO 2 INPUT jacks during recording.



Connecting two VCRs for tape editing using MONITOR OUT

You can record input images displayed on the screen. This type of connection should be used only when you connect from the line input of one VCR, and from the line output of a second VCR.

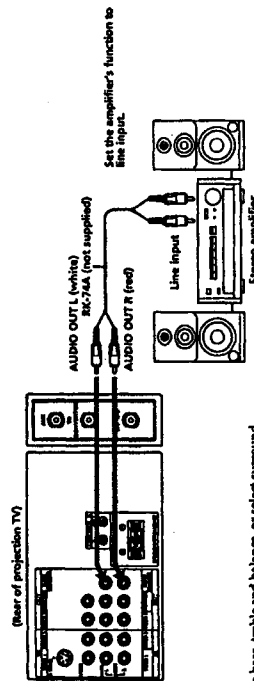


Notes

- Do not change the input signal while editing through MONITOR OUT; or the video signal will also change.
- When connecting a VCR to the projection TV, do not connect MONITOR OUT to the VCR's line input, while at the same time connecting from the projection TV's VIDEO IN jacks to the VCR's line output.
- You can use the S VIDEO connector to connect a VCR for playback and either S VIDEO connector or composite video jack to connect a VCR for recording.

Connecting an audio system

When connecting audio equipment, see page 25 for more information.



Note

- You can adjust the bass, treble and balance, or select surround, an MTS (Multichannel TV Sound) or CSE (Cinema Seat Effect) mode with the supplied remote commander.

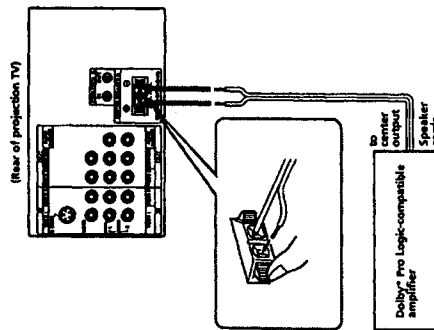
Using the projection TV speakers as center speakers

This feature allows you to enjoy the benefits of Dolby Pro Logic by using the speakers of the projection TV as the center speaker. To utilize this system, you must connect an amplifier that is Dolby Pro Logic compatible. Connect the speaker wires from the amplifier's center channel output terminals to the projection TV's CENTER SPEAKER IN. Both right and left terminals must be connected to receive an audio signal. After making the right connections, select "SPEAKER: CENTER" in the AUDIO menu (page 25). The left and right audio channels can be heard through your audio system speakers.

In this connection, adjust the volume with your amplifier.

Notes

- Always match the speaker cord and terminal colors when making the connections.
- Unplug the projection TV when making the connections. If the exposed speaker cord wires touch while the projection TV is plugged in, the projection TV may short-circuit and be damaged.
- Do not pull on the speaker cords.
- Always turn off the amplifier power before connecting to the CENTER SPEAKER IN terminals.

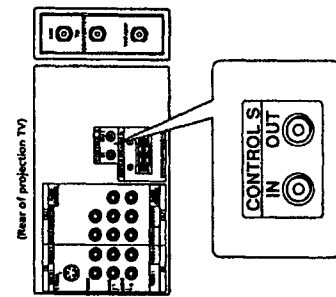


• Manufactured under license from Dolby Laboratories Licensing Corporation. Additionally licensed under one or more of the following patents: U.S. numbers 3,959,590, Canadian numbers 1,009,603 and 1,037,877. "Dolby", "Pro Logic", and the double-D symbol (D) are trademarks of Dolby Laboratories Licensing Corporation.

Connecting other Sony equipment with CONTROL 5 jack

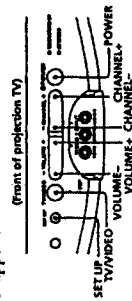
This feature allows you to control your projection TV and other Sony equipment with one remote commander.

- To control other Sony equipment with the projection TV's remote commander, connect the input of the equipment to CONTROL 5 OUT jack on the projection TV.
- To control the projection TV with the remote commander of other Sony equipment, connect the output of the equipment to CONTROL 5 IN jack on the projection TV.



Step 4: Setting up the projection TV automatically (AUTO SET UP)

You can set up your projection TV easily by using AUTO SET UP feature. It presets all the receivable channels, adjusts the convergence and changes the on-screen menu language. To set up the TV manually, see "Adjusting convergence" (page 15), "Setting cable TV on or off" (page 15), "Presetting channels" (page 16) and "Changing the menu language" (page 16). If the TV is set to a video input, you cannot execute AUTO SET UP. Press TV/VIDEO so that a channel number appears.



1 Press POWER to turn the projection TV on.



2 Press SET UP on the front of the projection TV.



AUTO SET UP : [CH-]
 AUTO ADJUSTS : [CH-]
 RECALL AUTO : [VOL-]
 DEMO : [VOL-]
 Press [SET UP] to [E] it

3 Press CHANNEL+ to start AUTO SET UP.

If you prefer Spanish or French to English, you can change the on-screen menu language. Press CHANNEL- for Spanish or VOLUME+ for French.



CONTINUE TO
 AUTO PROGRAM?
 YES : [CH-]
 NO : [CH-]

All of the menus will be set to the factory preset condition in the selected language.

4 Press CHANNEL+ to preset channels.



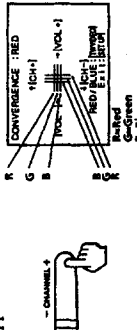
AUTO PROGRAM

"AUTO PROGRAM" appears on the screen and the TV starts scanning and presetting channels automatically. When all the receivable channels are stored, "AUTO PROGRAM" disappears and the following menu appears. If the projection TV receives cable TV channels, CATV is set to ON automatically.

CONTINUE TO
 CONVERGENCE
 YES : [CH-]
 NO : [CH-]

5 Adjust convergence.

- (1) Press CHANNEL+.
- The CONVERGENCE adjustment screen appears.

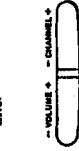


(2) Press TV/VIDEO to select RED or BLUE.



CONVERGENCE : RED
 1CH-1
 VOL-1
 RED/BLUE/WHITE
 RED/BLUE/WHITE

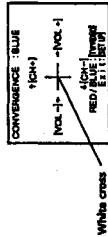
(3) Using CHANNEL+/- or VOLUME +/-, move the line until it converges with the center green line.



To move horizontal line up/down, press CHANNEL+/-.
 To move vertical line right/left, press VOLUME+/-.

(continued)

- (4) Repeat steps (2) and (3) to adjust the other lines until all three lines converge and are seen as a white cross.



Notes

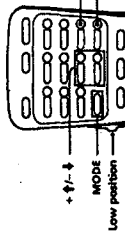
- If more than 90 seconds elapse after you press a button, the menu disappears automatically.
- In case of using the AUX connector, press the TV button on the remote commander first and make sure that "AUX" is displayed beside the channel number on the screen. Then follow steps 2 to 5 above to perform AUTO SET UP.

To preview the main functions (DEMO)

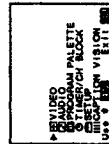
Press VOLUME- in step 3. The functions and menus are displayed one by one.

Erasing or adding channels

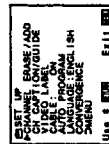
After AUTO SET UP you can erase unnecessary channels or add the channels you want. Preset channels during the day rather than late at night, when some channels may not be broadcasting.



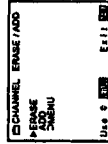
- Press MENU. The main menu appears.



- Press + or - to move the cursor (P) to SET UP and press RETURN. The SET UP menu appears.

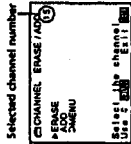


- Make sure the cursor (P) is beside CHANNEL ERASE/ADD and press RETURN. If the cursor is not beside CHANNEL ERASE/ADD, press + or - to move the cursor and press RETURN. The CHANNEL ERASE/ADD menu appears.



- Erase and/or add the channel you want:

- Make sure the cursor (P) is beside ERASE.
- Press CH + or - to select the channel you want to erase.



- Press RETURN. The indication "-" appears beside the channel number, showing that the channel is erased from the preset memory.



- To add a channel that you want
- Press + or - to select ADD.
 - Press 0-9 button to select the channel you want to add and press ENTER.



- Press RETURN. The indication "+" appears beside the channel number, showing that the channel is added to the preset memory.



- To erase and/or add other channels, repeat step 4.

- When you finish, press MENU.



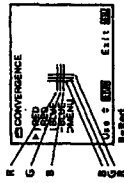
Notes

- If you erase or add a VHF or UHF channel, the cable TV channel with the same number is also erased or added, and the menu disappears automatically.
- If more than 90 seconds elapse after you press a button, the menu disappears automatically.
- Erasing and adding channels are also available for the AUX input.

Adjusting convergence (CONVERGENCE)

The projection tube image appears on the screen in three layers (red, green and blue). If they do not converge, the color is poor and the picture blurs. To correct this, adjust convergence. You do not have to do this procedure if you execute AUTO SET UP (page 13). Do this procedure only when you want to adjust it manually.

- Press MENU.
- Press + or - to move the cursor (P) to SET UP and press RETURN.
- Press + or - to move the cursor (P) to CONVERGENCE and press RETURN. The CONVERGENCE adjustment screen appears.

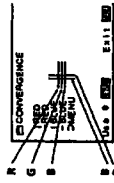


- Press + or - to move the cursor (P) to the symbol showing the line you want to adjust, and press RETURN.



- RED: Red vertical line (left/right adjustment)
- BLUE: Blue vertical line (left/right adjustment)
- GREEN: Blue horizontal line (top/down adjustment)

- Press + or - to move the line until it converges with the center green line, and press RETURN.



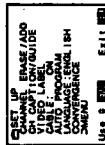
To move up/right, press +.
To move down/left, press -.

- Repeat steps 4 and 5 to adjust the other lines until all three lines converge and are seen as a white cross.
- Press MENU to return to the original screen.

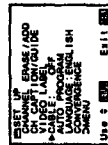
Setting cable TV on or off

If you have connected the projection TV to a cable TV system, set CABLE to ON, the factory setting. If not, set CABLE to OFF. You do not have to do this procedure if you execute AUTO SET UP (page 13). Do this procedure only when you want to set it manually.

- Press MENU.
- Press + or - to move the cursor (P) to SET UP and press RETURN.
- Press + or - to move the cursor (P) to CABLE and press RETURN.



- Press + or - to select ON or OFF and press RETURN.

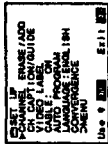


- Press MENU to return to the original screen.
- Note**
- If CABLE appears in black, the projection TV is set to a video input and you cannot select CABLE. Press TV on the remote commander so that a channel number appears.

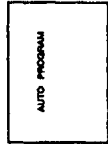
Presetting channels

You can preset TV channels easily by AUTO PROGRAM feature.
You do not have to do this procedure if you execute AUTO SET UP (page 13). Do this procedure only when you want to set it manually.

- 1 Press MENU.
- 2 Press + ↑ or - ↓ to move the cursor (▷) to SET UP and press RETURN.



- 3 Press + ↑ or - ↓ to move the cursor (▷) to AUTO PROGRAM and press RETURN.



"AUTO PROGRAM" appears on the screen and the projection TV starts scanning and presetting channels automatically. When all the receivable channels are stored, "AUTO PROGRAM" disappears and the lowest numbered channel is displayed.

- 4 Press MENU to return to the original screen.

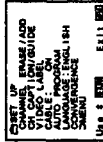
Notes

- If AUTO PROGRAM appears in black in the SET UP menu, the projection TV is set to a video input and you cannot select AUTO PROGRAM. Press TV/VIDEO or TV on the remote commander so that a channel number appears.
- If more than 90 seconds elapse after you press a button, the menu disappears automatically.
- Presetting channels is also available for the AUX input.

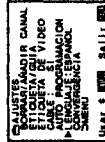
Changing the menu language

If you prefer Spanish or French to English, you can change the menu language.
You do not have to do this procedure if you execute AUTO SET UP (page 13). Do this procedure only when you want to set it manually.

- 1 Press MENU.
- 2 Press + ↑ or - ↓ to move the cursor (▷) to SET UP and press RETURN.
- 3 Press + ↑ or - ↓ to move the cursor (▷) to LANGUAGE and press RETURN.



- 4 Press + ↑ or - ↓ to select the language and press RETURN.
The menu in selected language appears.



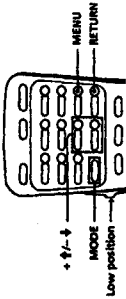
- 5 Press MENU to return to the original screen.

Note

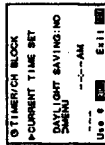
- Even when you select Spanish or French language, certain parts of the menus remain in English.

Setting the clock (CURRENT TIME SET)

Set the current time before using On/off Timer (page 28) and Channel Block features (page 29). For example, set the clock to 3:15 p.m., Monday.

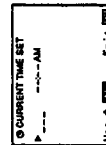


- 1 Press MENU.
- 2 Press + ↑ or - ↓ to select TIMER/CH BLOCK and press RETURN.



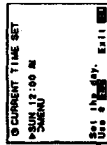
If you need to set DAYLIGHT SAVING, follow the procedure on the previous page.

- 3 Make sure the cursor (▷) is beside CURRENT TIME SET, and press RETURN.
If the cursor is not beside CURRENT TIME SET, press + ↑ or - ↓ to move the cursor and press RETURN.

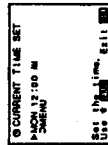


4 Set the current time.

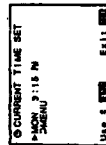
- (1) Press RETURN to start setting the time.



- (2) Press + ↑ or - ↓ to set the day and press RETURN.



- (3) Using + ↑ or - ↓ and RETURN, set hour and minute in the same way as in step (2).
When you press RETURN after setting the minute, the clock starts.



If you make a mistake while setting the time Press RESET while the CURRENT TIME SET menu is displayed, then repeat step 4.

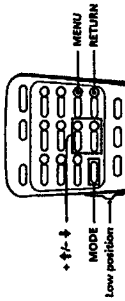
To display the current time Press DISPLAY.

Note

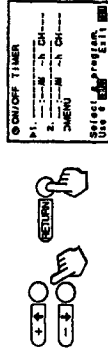
- If you unplug the projection TV or a power interruption occurs, the clock will be erased. Reset the current time.

Setting the timer to turn the projection TV on and off (ON/OFF TIMER)

You can set the projection TV to turn on and off at the time you specify. Make sure the clock is set correctly. If it is not, set the clock first.

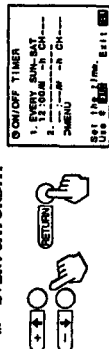


- 1 Press **MENU**.
- 2 Press **+>** or **<-** to select **TIMER/CH BLOCK** and press **RETURN**.
- 3 Press **+>** or **<-** to select **ON/OFF TIMER** and press **RETURN**.

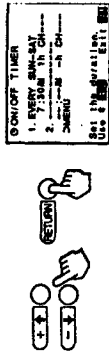


- 4 Enter the **ON/OFF TIMER** setting.
 - (1) Press **+>** or **<-** to select program 1 or 2 and press **RETURN**.
 - (2) Press **+>** or **<-** to set the days and press **RETURN**. Each time you press **+>** or **<-**, the days cycle as shown below.

EVERY SUN-SAT → EVERY MON-FRI → SUNDAY → MONDAY → → SATURDAY → EVERY SUNDAY → EVERY MONDAY → → → EVERY SATURDAY



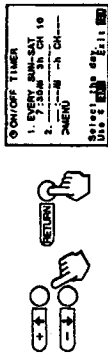
- (3) Press **+>** or **<-** to set the time (hour then minute) that you want to turn on the projection TV and press **RETURN**.



- (4) Press **+>** or **<-** to set the hour duration and press **RETURN**. You can set the hour duration by one hour up to a maximum of six hours.



- (5) Press **+>** or **<-** to select the channel and press **RETURN**.



The **TIMER/STAND BY** indicator on the projection TV lights.

- 5 To set the other program, press **RETURN** and repeat step 4.

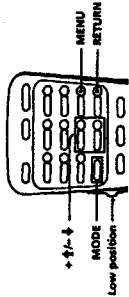
One minute before the projection TV switches to turn off, a message "TV will turn off." is displayed on the screen.

To cancel the timer
Press **RESET** on the remote commander.

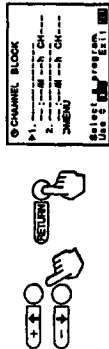
Note
• If you unplug the projection TV or a power interruption occurs, ON/OFF TIMER settings will be erased. Reset the current time, then set the timer.

Blocking out a channel (CHANNEL BLOCK)

This feature allows you to prevent children from watching unsuitable programs. Make sure the clock is set correctly. If it is not, set the clock first (page 27).



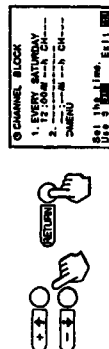
- 1 Press **MENU**.
- 2 Press **+>** or **<-** to select **TIMER/CH BLOCK** and press **RETURN**.
- 3 Press **+>** or **<-** to select **CHANNEL BLOCK** and press **RETURN**.



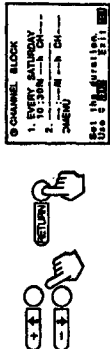
- 4 Enter a **CHANNEL BLOCK** setting.
 - (1) Press **+>** or **<-** to select program 1 or 2 and press **RETURN**.

(2) Press **+>** or **<-** to set the days and press **RETURN**. Each time you press **+>** or **<-**, the days cycle as shown below.

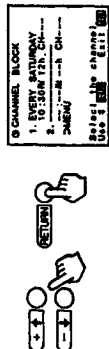
EVERY SUN-SAT → EVERY MON-FRI → SUNDAY → MONDAY → → SATURDAY → EVERY SUNDAY → EVERY MONDAY → → → EVERY SATURDAY



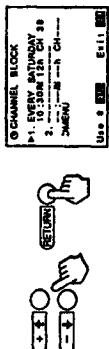
- (3) Press **+>** or **<-** to set the time (hour then minute) that you want to start blocking the channel and press **RETURN**.



- (4) Press **+>** or **<-** to select the hour duration you want to block and press **RETURN**. Each time you press **RETURN**, the hour duration increases by one hour up to a maximum of 12 hours.



- (5) Press **+>** or **<-** to select the channel and press **RETURN**.



If you select the blocked channel during the time you set, the message "BLOCKED" appears and the picture is blocked and the sound is muted.

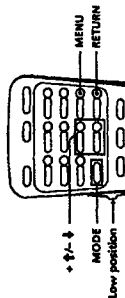
To cancel a **CHANNEL BLOCK** setting
Press **RESET** on the remote commander.

Note
• If the **CHANNEL BLOCK** and **ON/OFF TIMER** settings are overlapped, the later time setting has priority over the other setting.

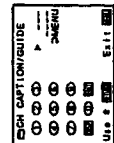
Customizing the channel number buttons (CH CAPTION/GUIDE)

You can choose up to 12 channels, caption each channel, and assign a specific channel number button to each channel. This feature allows you to select your favorite channels easily by name. For example, you can name channel 20 "ESPN," and assign the channel number 4 button to it.

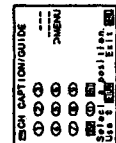
Setting captions to favorite channels



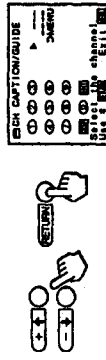
- 1 Press MENU.
- 2 Press + ↑ or - ↓ to select SET UP and press RETURN.
- 3 Press + ↑ or - ↓ to select CH CAPTION/GUIDE and press RETURN.



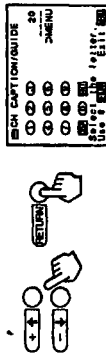
- 4 Press RETURN again.



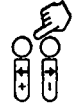
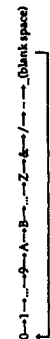
- 5 Press + ↑ or - ↓ to select a channel guide number button and press RETURN. Each time you press + ↑ or - ↓, the channel positions change to red in turns. The channel number button you select will be the one you press to call up your favorite channel.



- 6 Press + ↑ or - ↓ to select the channel that you want to caption and press RETURN.



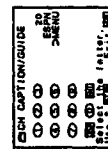
- 7 Enter the letters or numbers (up to four) to caption the channel:
 - (1) Press + ↑ or - ↓ to select the first letter (number). Each time you press + ↑ or - ↓, the letter (number) changes as shown below.



- (2) Press RETURN.



- (3) Repeat steps (1) and (2) to select the remaining letters (numbers) and press RETURN.

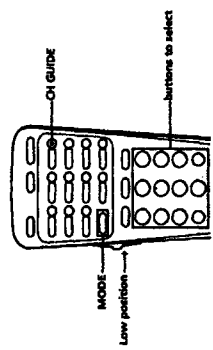


- 8 Repeat steps 4 to 7 to caption other channels.

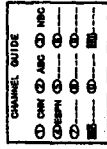
To erase a caption Press RESET after step 4.

- Notes**
- The position number you already selected appears in yellow.
 - If the CH CAPTION/GUIDE menu appears in black, the selected TV is set to video input and you cannot select CH CAPTION/GUIDE. Press TV so that a channel number appears.
 - If more than 90 seconds elapse after you press a button, the menu disappears automatically.
 - The channel caption/guide feature is available for the AIDX input.

Selecting a captioned channel



- 1 Press CH GUIDE. The CHANNEL GUIDE menu appears showing channel captions and the corresponding channel number buttons.

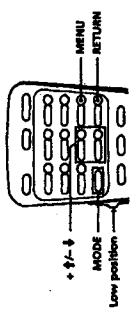


- 2 Press a channel number button, the DISPLAY or ENTER button to select the channel you want.

To cancel the CHANNEL GUIDE menu Press CH GUIDE again.

Setting video labels (VIDEO LABEL)

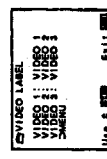
This feature allows you to label each input mode so that you can easily identify the connected equipment. For example, you can label VIDEO 1 IN as VHS.



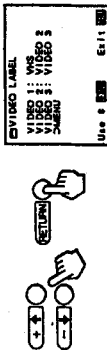
- 1 Press MENU.
- 2 Press + ↑ or - ↓ to select SET UP and press RETURN.
- 3 Press + ↑ or - ↓ to select VIDEO LABEL and press RETURN.



- 4 Press + ↑ or - ↓ to select the input mode you want to label and press RETURN.



- 5 Press + ↑ or - ↓ to select the label and press RETURN.



Each time you press + ↑ or - ↓, the label changes as shown below.

VIDEO 1 → S-VIDEO → BETA → 8mm → VHS → LD → DSS

VIDEO 2 → BETA → 8mm → VHS → LD → DSS

VIDEO 3 → BETA → 8mm → VHS → LD → DSS

- 6 Repeat steps 4 and 5 to label other input modes.

Note

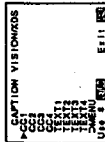
- If more than 90 seconds elapse after you press a button, the menu disappears automatically.

Displaying Caption Vision (CAPTION VISION/XDS)

Some programs are broadcast with Caption Vision. To display Caption Vision, select either CC1, CC2, CC3, CC4, TEXT1, TEXT2, TEXT3 or TEXT4 from the menu. CC1, CC2, CC3 or CC4 shows you a caption, that is a printed version of the dialog or sound effects of a program. (The mode should be set to CC1 for most programs.)

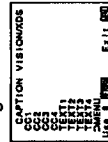
TEXT1, TEXT2, TEXT3 or TEXT4 shows you text, that is information presented using either half or the whole screen. It is not usually related to the program.

- 1 Press MENU.
- 2 Press + ↑ or - ↓ to select CAPTION VISION/XDS and press RETURN.



- 3 Press + ↑ or - ↓ to select the caption type and press RETURN.

The selected caption type is colored green.



To turn off the captions or text Press DISPLAY on the remote commander. Each time you press DISPLAY, the display changes as follows:

on-screen information → XDS → Caption Vision or Text

DISPLAY OFF

"DISPLAY OFF" goes off after three seconds.

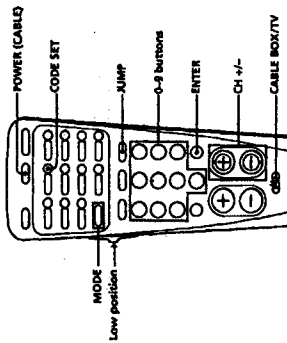
- Some programs are broadcast with XDS service which shows a network name, program name, program length, call letters and time in show data. When you select XDS with the DISPLAY button, this information will be displayed on the screen if the broadcaster offers this service.

Note

- Captions may appear with a white box or another error instead of a certain word. Poor reception of TV programs can also cause errors in Closed Caption.

Operating a cable box

You can operate a connected cable box with the supplied remote commander. Before operating, set the manufacturer's code number.



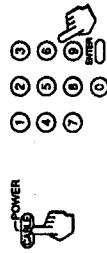
- 1 Set the CABLE BOX/TV selector to CABLE BOX.



- 2 While pressing CODE SET, press 0 - 9 to enter the manufacturer's code number (see the chart below) and press ENTER. For example, to operate a Zenith cable box, press 6 and 8 and press ENTER.



- 3 Use POWER (CABLE) and the projection TV control buttons (0 - 9, ENTER, JUMP and CH +/-) to operate the cable box.



To operate the projection TV Set the CABLE BOX/TV selector to TV. Then use the projection TV control buttons to control the projection TV.

For more details on operating the cable box Refer to the operating instructions that come with the cable box.

Manufacturers and code numbers (cable box)

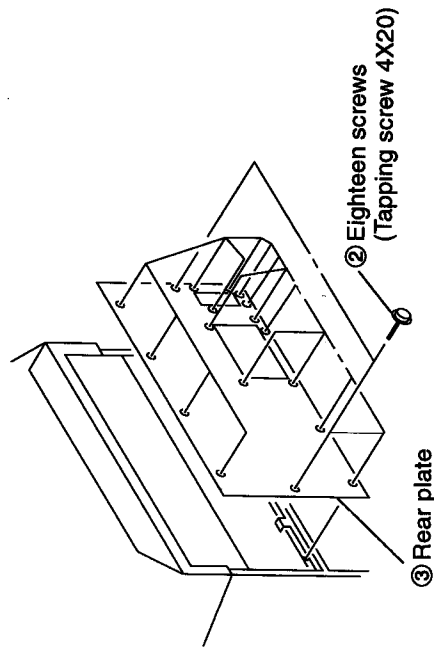
Manufacturer	Code number
JEROLD	60, 61, 62, 63, 64, 65, 73
PIONEER	69, 70
SCIENTIFIC ATLANTA	66, 67
TOCOM	71, 72
ZENITH	68

Notes

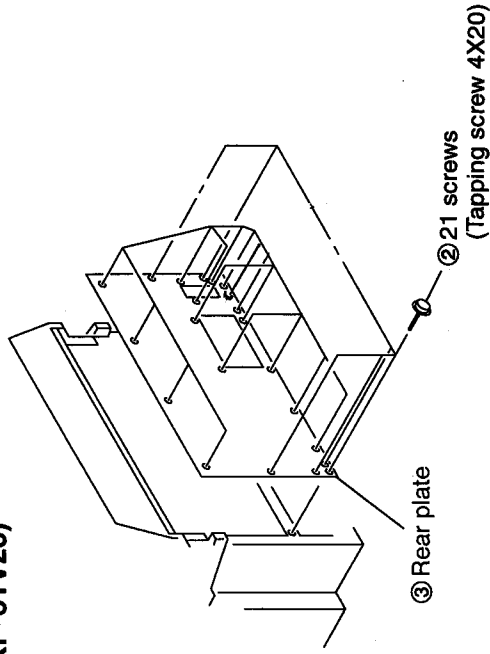
- If more than one code number is listed, try entering them one by one until you come to the correct code for your equipment.
- If you enter a new code number, the code number you previously entered at that setting is erased.
- In some rare cases, your equipment may use a code that is not provided with this remote commander and you may not be able to operate your cable box with the supplied remote commander. In this case, use the equipment's own remote control unit.
- When you remove a battery from the remote commander, the code may be erased. Reset the code each time you replace the battery, if necessary.

SECTION 2 DISASSEMBLY

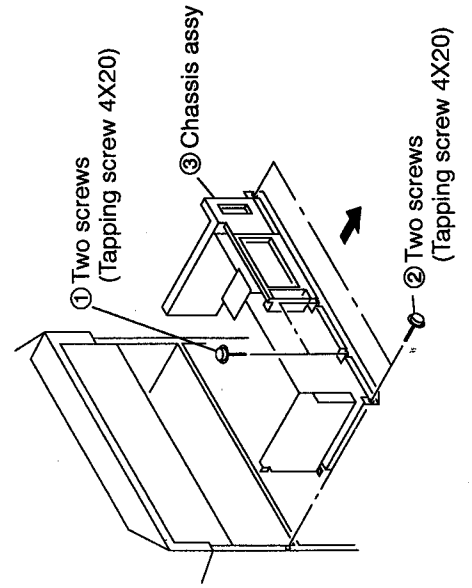
2-1-1. REAR PLATE REMOVAL (KP-46V25/53V25)



2-1-2. REAR PLATE REMOVAL (KP-61V25)

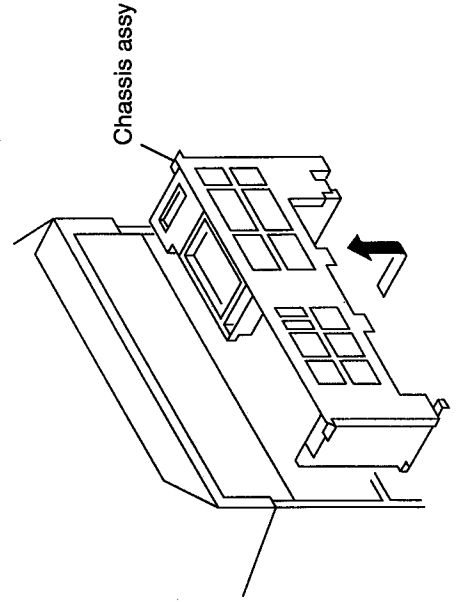


2-2. CHASSIS ASSY REMOVAL

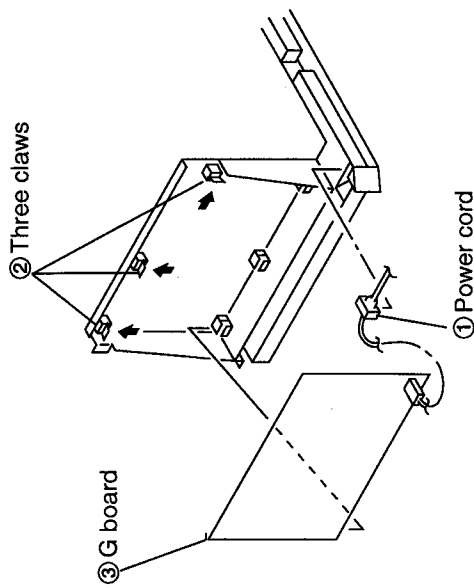


2-3. SERVICE POSITION

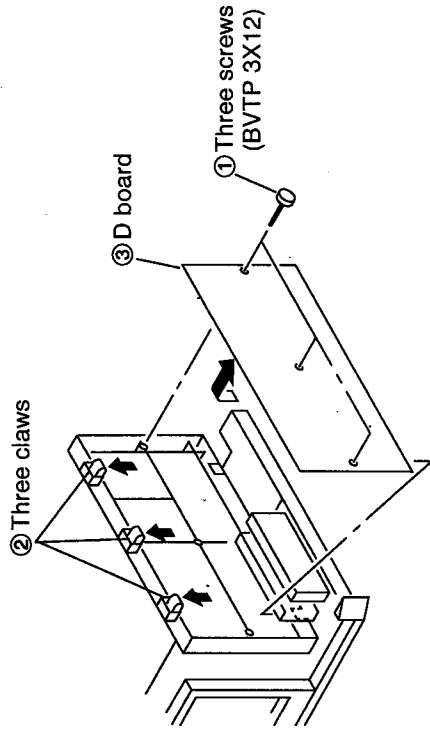
Remove the chassis assy (Refer to 2-2.)



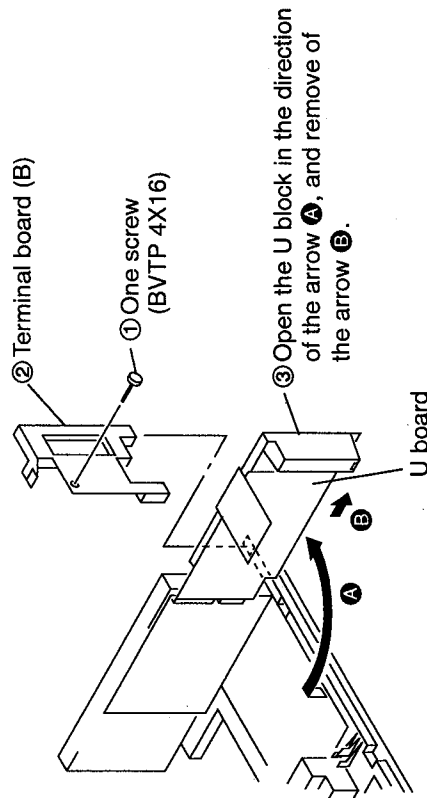
2-4. G BOARD REMOVAL



2-5. D BOARD REMOVAL

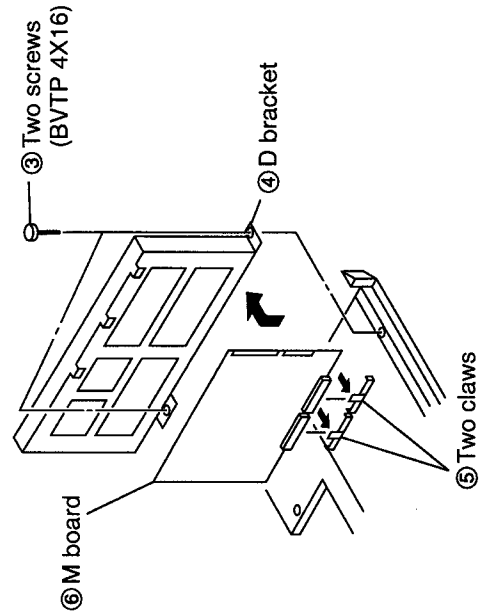


2-6. U BOARD REMOVAL

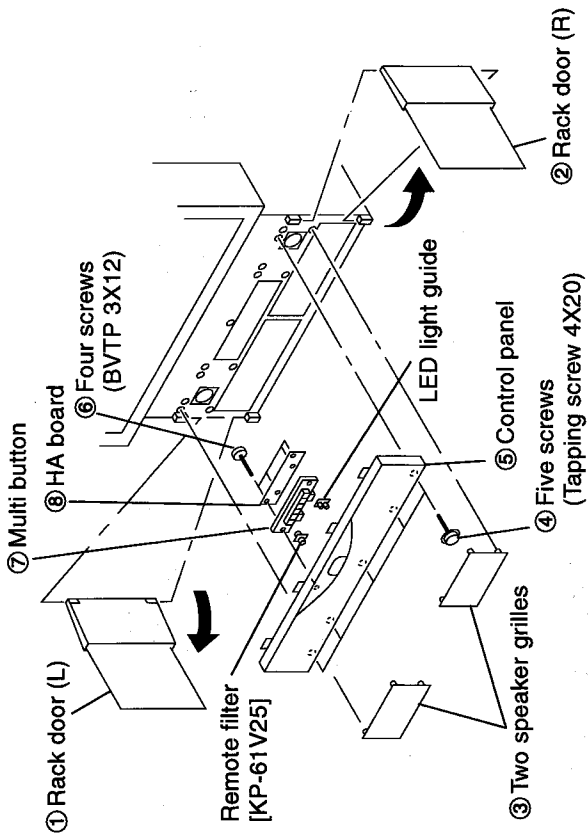


2-7. M BOARD REMOVAL

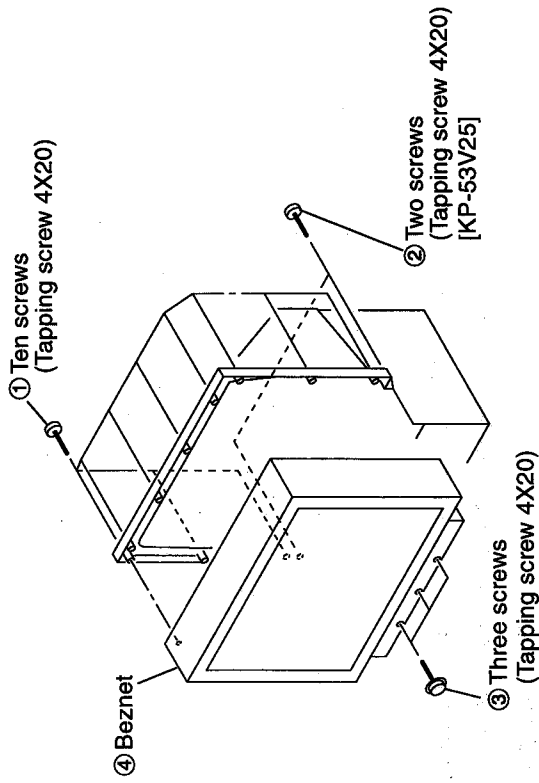
- ① Remove the D board. (Refer to 2-5.)
- ② Remove the U board. (Refer to 2-6.)



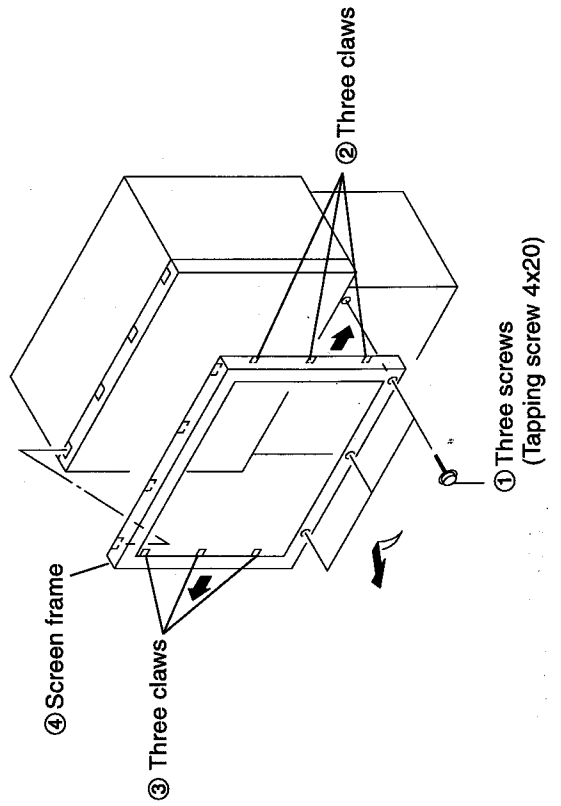
2-8. HA BOARD REMOVAL



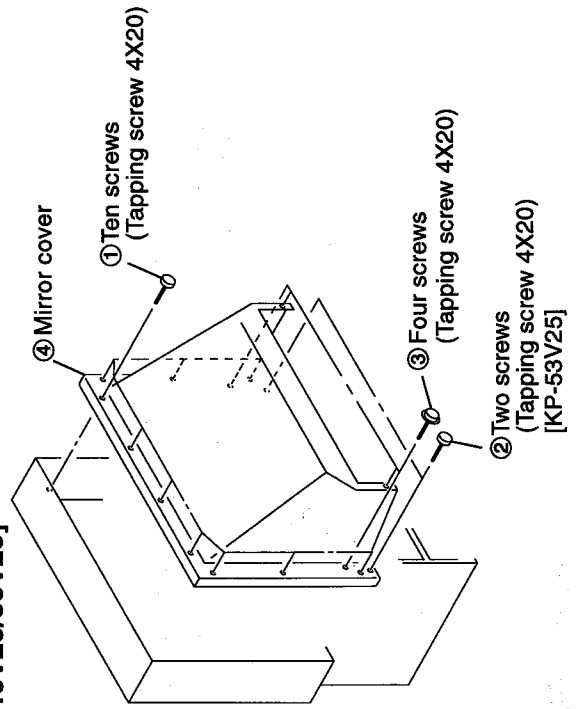
2-9-1. BEZNET REMOVAL [KV-46V25/53V25]



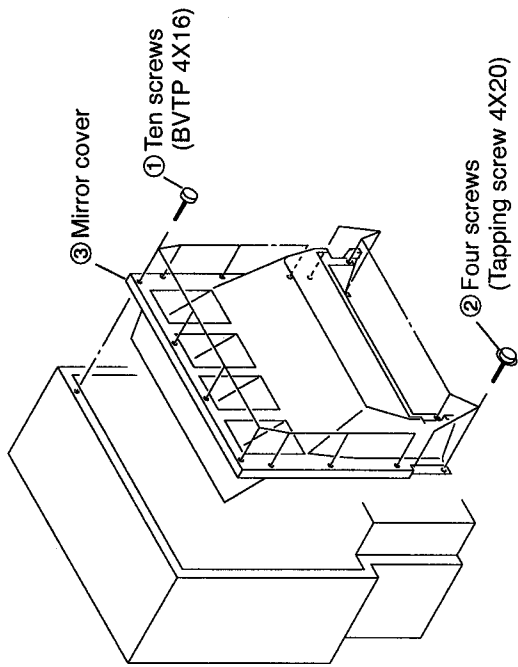
2-9-2. SCREEN FRAME REMOVAL [KP-61V25]



2-10-1. MIRROR COVER REMOVAL [KP-46V25/53V25]

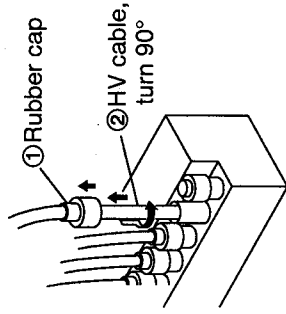


2-10-2. MIRROR COVER REMOVAL [KP-61V25]

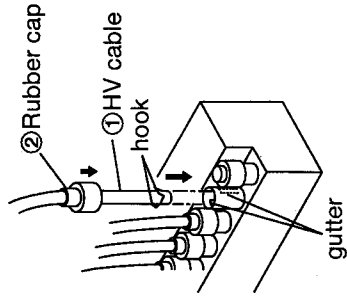


2-11. HIGH-VOLTAGE CABLE INSTALLATION AND REMOVAL

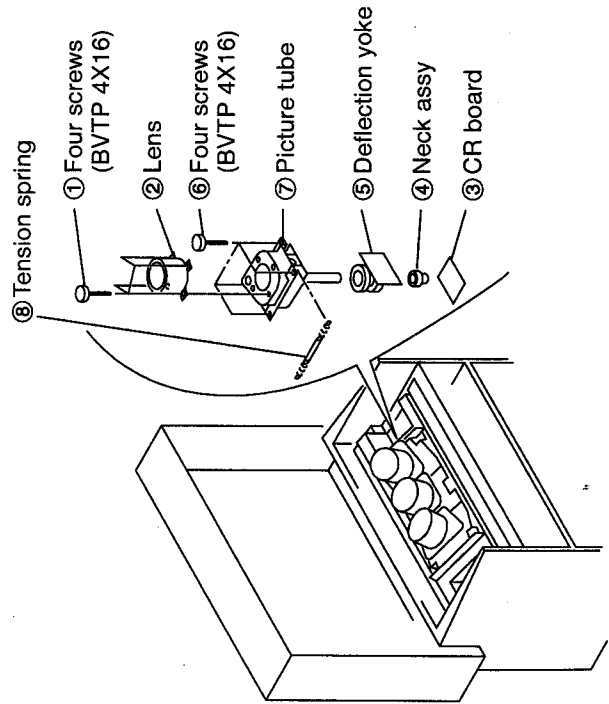
(1) Remover



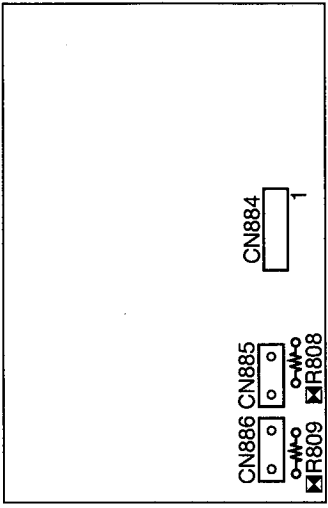
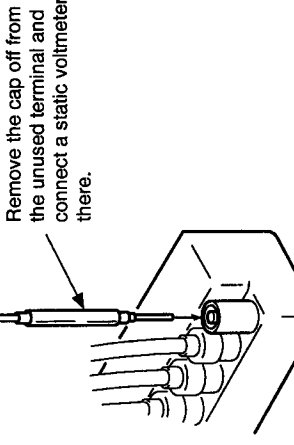
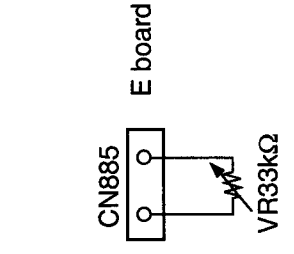
(2) Installation

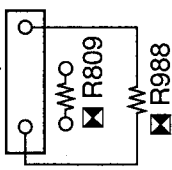
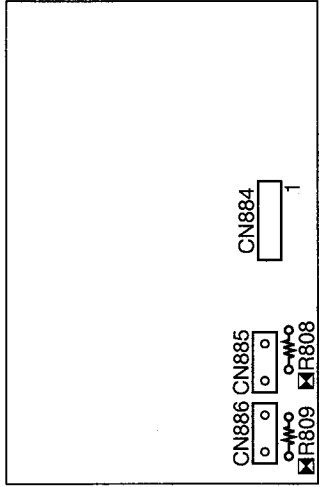


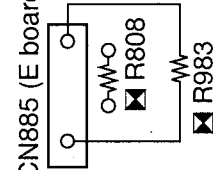
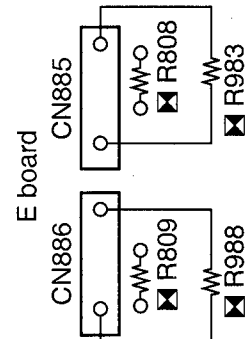
2-12. PICTURE TUBE REMOVAL

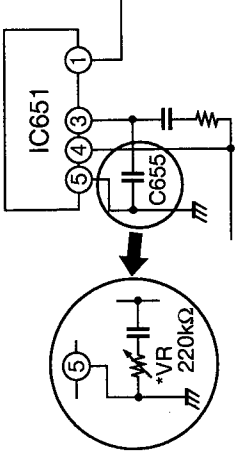
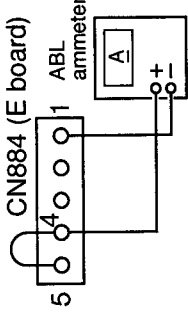


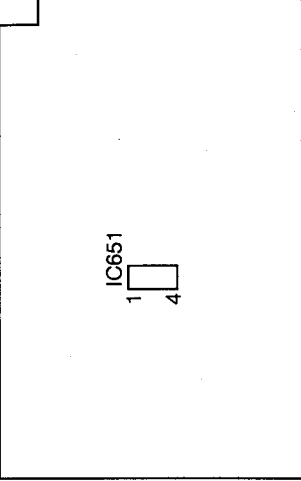
SECTION 3 SAFETY RELATED ADJUSTMENTS

ADJUSTMENT ITEM AND PROCEDURE	EQUIPMENT AND SIGNAL	MEASUREMENT POSITION	ADJUSTMENT LOCATION	ILLUSTRATION AND SHAPE AND NUMBER
<p>HV HOLD DOWN CIRCUIT OPERATIONS CHECK AND ADJUSTMENT (* RESISTOR)</p> <p>When replacing the parts marked * on the right, check the HV hold down and adjust.</p>		<p>* marked parts C818, D804, D806, D809, D909, D912, Q915, R809, R855, R856, R857, R858, R954, R955, R983, R984, R988, R991, R995, R996, R998, T803, FBT E board HV Block</p> <p>* HV Block</p>	<p>* R809, R988</p>	<p>E BOARD - COMPONENT SIDE -</p> 
<ol style="list-style-type: none"> 1. Remove the cap for the unconnected pin in the *high-voltage block and connect a *Static Voltmeter. 2. Input 130 VAC power. 	<p>* Static Voltmeter</p>			
<ol style="list-style-type: none"> 3. Receive the *Dot signal and set the *PICTURE and BRIGHTNESS settings to their minimums. 4. Connect a *33 kΩ variable resistor across the E board *CN885 connector (with the variable resistor set to its maximum). 	<p>* Dot pattern</p>		<p>* PICTURE minimum BRIGHTNESS minimum</p>	

ADJUSTMENT ITEM AND PROCEDURE	EQUIPMENT AND SIGNAL	MEASUREMENT POSITION	ADJUSTMENT LOCATION	ILLUSTRATION AND SHAPE AND NUMBER
<p>5. Gradually lower the value of the variable resistor and check that the hold down circuit operates at a Static Voltmete reading of *33.7 ± 0.8 kVDC and that the rasters disappear.</p> <p>6. If the hold down circuit operates and the rasters disappear at a Static Voltmete meter reading of *34.0 VDC or higher, remove resistor *R809 and mount a *16.0 kΩ 1/4W RN at *R988.</p> <p>If the hold down circuit operates and the rasters disappear at a Static Voltmete reading of *32.0 VDC or lower, remove resistor R809 and mount *6.2 kΩ 1/4W RN at *R988.</p> <p>7. Check Item 5 again.</p>			<p>* R988</p> <p>* R988</p>	<p>*33.7 ± 0.8 kVDC</p> <p>*34.0 VDC or higher</p> <p>*16.0 kΩ 1/4W</p> <p>*32.0 VDC or lower</p> <p>*6.2 kΩ 1/4W</p> <p>* CN886 (E board)</p> 
<p>HV REGULATION CIRCUIT CHECK AND ADJUSTMENT (* RESISTOR)</p> <p>When replacing the parts marked * on the right, check the HV regulation and adjust.</p> <ol style="list-style-type: none"> Remove the cap for the unconnected pin in the *high-voltage block and connect a *Static Voltmete. Input 120 VAC power. Receive the *Dot signal and set the *PICTURE and BRIGHTNESS settings to their minimums. 	<p>* Static Voltmete</p> <p>* Dot pattern</p>	<p>* marked parts C918, C930, C934, C980, D902, D920, D925, Q909, R808, R851, R929, R936, R939, R942, R944, R945, R946, R947, R950, R960, R965, R967, R971, R975, R976, R982, R983, R985, R998 E Board HV Block * HV Block</p>	<p>* R808, R983</p> <p>* PICTURE minimum BRIGHTNESS minimum</p>	<p>E BOARD – COMPONENT SIDE –</p> 

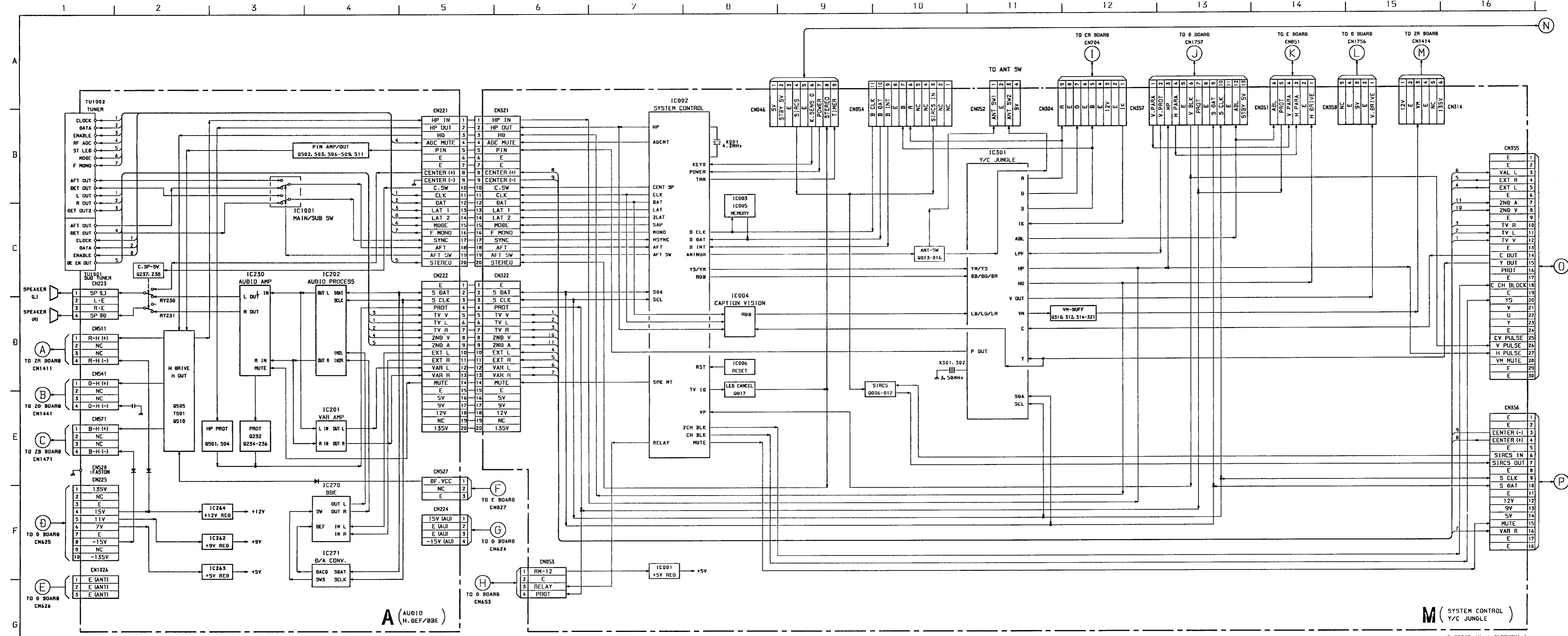
ADJUSTMENT ITEM AND PROCEDURE	EQUIPMENT AND SIGNAL	MEASUREMENT POSITION	ADJUSTMENT LOCATION	ILLUSTRATION AND SHAPE AND NUMBER
<p>4. Check that the Static Voltmete reading is *31.0 ± 0.4 kVDC.</p> <p>5. If the Static Voltmete reading is *30.5 kV or lower, remove resistor *R808 and mount *5.6 kΩ 1/4W RN at *R983.</p> <p>6. If the Static Voltmete reading is *31.4 KV or higher, remove resistor *R808 and mount *8.2 kΩ 1/4W RN at *R983.</p> <p>7. If the Static Voltmete reading is *32.0 kV or higher, remove resistor *R808 and mount *10.0 kΩ 1/4W RN at *R983.</p> <p>8. If any of Items 5, 6 or 7 has been implemented, check Item 4 again.</p>			<p>*R983</p> <p>*R983</p> <p>*R983</p>	<p>*31.0 ± 0.4 kVDC</p> <p>*30.5 kV or lower</p> <p>*5.6 kΩ 1/4W</p> <p>*31.4 KV or higher</p> <p>*8.2 kΩ 1/4W</p> <p>*32.0 kV or higher</p> <p>*10.0 kΩ 1/4W</p> <p>* CN885 (E board)</p> 
<p>HV HOLD DOWN AND HV REGULATOR SIMPLE ADJUSTMENT</p> <p>It is normally desirable that the HV hold down and HV regulation checks use a high-voltage meter. However, sometime one is not available, for example in the field, below is a simple adjustment method.</p> <p>When replacing parts with the <input checked="" type="checkbox"/> mark, replace both the resistors with the <input checked="" type="checkbox"/> mark *R808 (R988) and *R809 (R983) with resistors one rank lower in the E-12 series. Do not replace just one of these resistors! Always replace both with resistors one rank lower.</p>			<p>*R808 (R988)</p> <p>*R809 (R983)</p>	<p>* E board</p> 

ADJUSTMENT ITEM AND PROCEDURE	EQUIPMENT AND SIGNAL	MEASUREMENT POSITION	ADJUSTMENT LOCATION	ILLUSTRATION AND SHAPE AND NUMBER
<p>OVERVOLTAGE PROTECTION (OVP) OPERATIONS CHECK</p> <ol style="list-style-type: none"> 1. Connect a *220 kΩ variable resistance rheostat to the G board C655 (between Pins ③ and ⑤ of IC651). 2. Input *120.0 \pm 1.0 VAC, 60 Hz power. 3. Receive the *Dot signal and set the *PICTURE and BRIGHTNESS settings to their minimums. 4. Gradually lower the value of the connected variable resistance and check that when the +B line *voltage is *143.5 \pm 5.5 VDC, the overvoltage circuit operates and the rasters disappear. 5. Remove the variable resistor and check the +B line voltage. 	<p>* Dot pattern</p> <p>* Digital Multimeter</p>		<p>* PICTURE minimum BRIGHTNESS minimum</p>	 <p>* 120.0 \pm 1.0 VAC, 60 Hz</p> <p>* 143.5 \pm 5.5 VDC</p>
<p>BEAM CURRENT (ΣIK) PROTECTION CIRCUIT CHECK</p> <ol style="list-style-type: none"> 1. Connect the *ABL ammeter between *Pins ① and ④ of the CN884 on the E board. Have Pins ② and ③ open. 2. Input *120.0 \pm 1.0 VAC, 60 Hz power. 3. Receive a *monoscope signal and set the *PICTURE and BRIGHTNESS settings to their minimums. 	<p>* Ammeter</p> <p>* Monoscope pattern</p>		<p>* PICTURE minimum BRIGHTNESS minimum</p>	 <p>* 120.0 \pm 1.0 VAC, 60 Hz</p>

ADJUSTMENT ITEM AND PROCEDURE	EQUIPMENT AND SIGNAL	MEASUREMENT POSITION	ADJUSTMENT LOCATION	ILLUSTRATION AND SHAPE AND NUMBER
<p>4. Gradually raise the *PICTURE and BRIGHTNESS settings and check that below an *ABL current of 3.35 mA (including dark current), the beam current protection circuit operates and the rasters disappear.</p> <p>+B, +B MAX CHECK</p> <p>When replacing the G board IC651, check the following.</p> <ol style="list-style-type: none"> 1. Input *120.0 ± 1.0 V, 60 Hz power. 2. Receive the *Dot signal and set the *PICTURE and BRIGHTNESS settings to their minimums. 3. Check that the *+B line voltage is now *135.0 ± 2.0 VDC. 4. Set the power supply to *130.0 ^{+2.0}₋₀ VAC. 5. Check that the *+B line voltage is *137.0 VDC max. 6. If either 3 or 5 is not satisfied, replace IC651 again. 	<p>*Dot pattern</p>	<p>*CN681 pin ①</p> <p>*CN681 pin ①</p>	<p>*PICTURE BRIGHTNESS</p> <p>..... minimum</p> <p>*PICTURE BRIGHTNESS</p> <p>..... minimum</p>	<p>*Less than 3.35 mA</p> <p>E BOARD – COMPONENT SIDE –</p>  <p>*120.0 ± 1.0 V, 60 Hz</p> <p>*135.0 ± 2.0 VDC</p> <p>*130.0 ^{+2.0}₋₀ VAC</p> <p>*Less than 137.0 VDC</p>

SECTION 4 DIAGRAMS

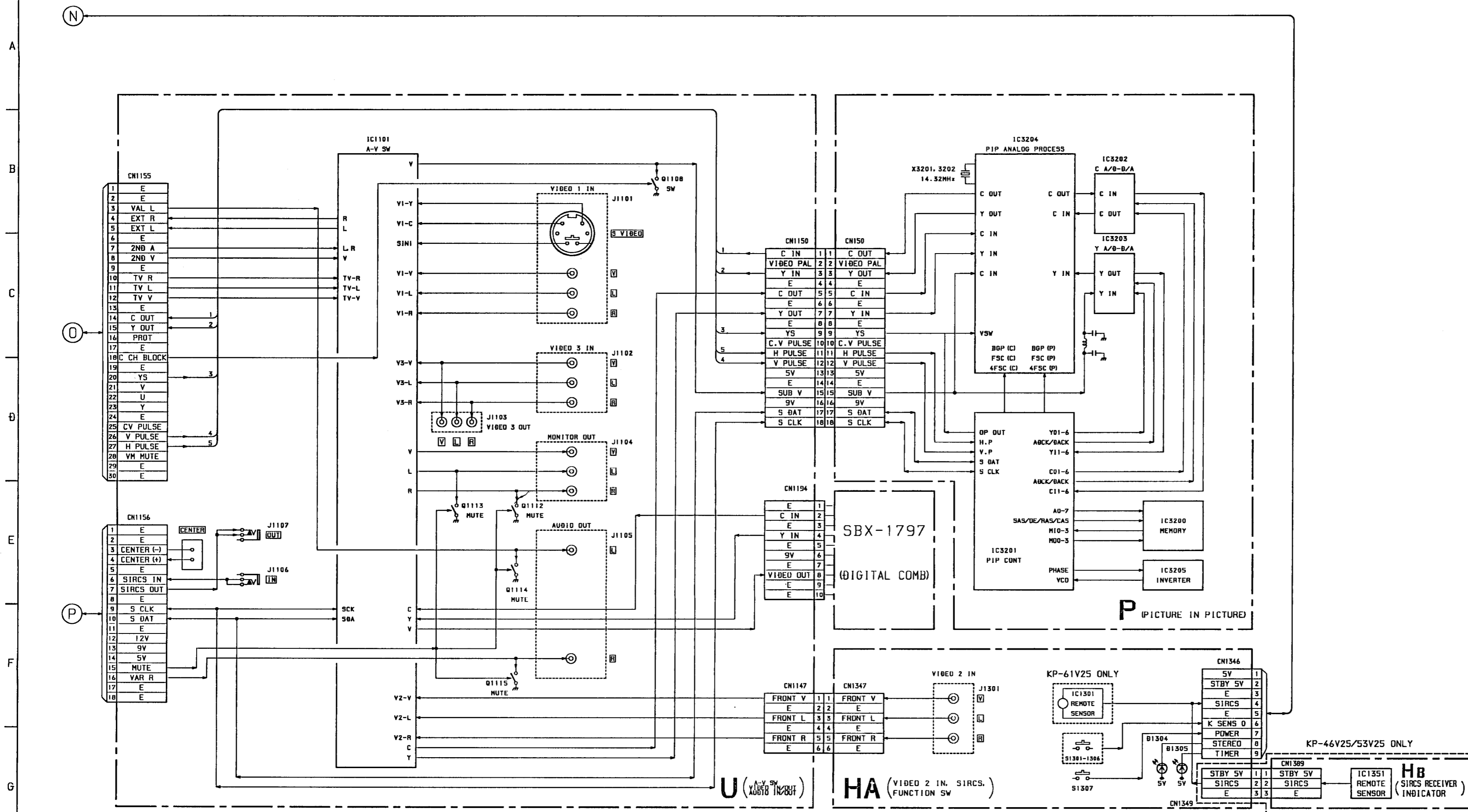
4-1. BLOCK DIAGRAMS (1)

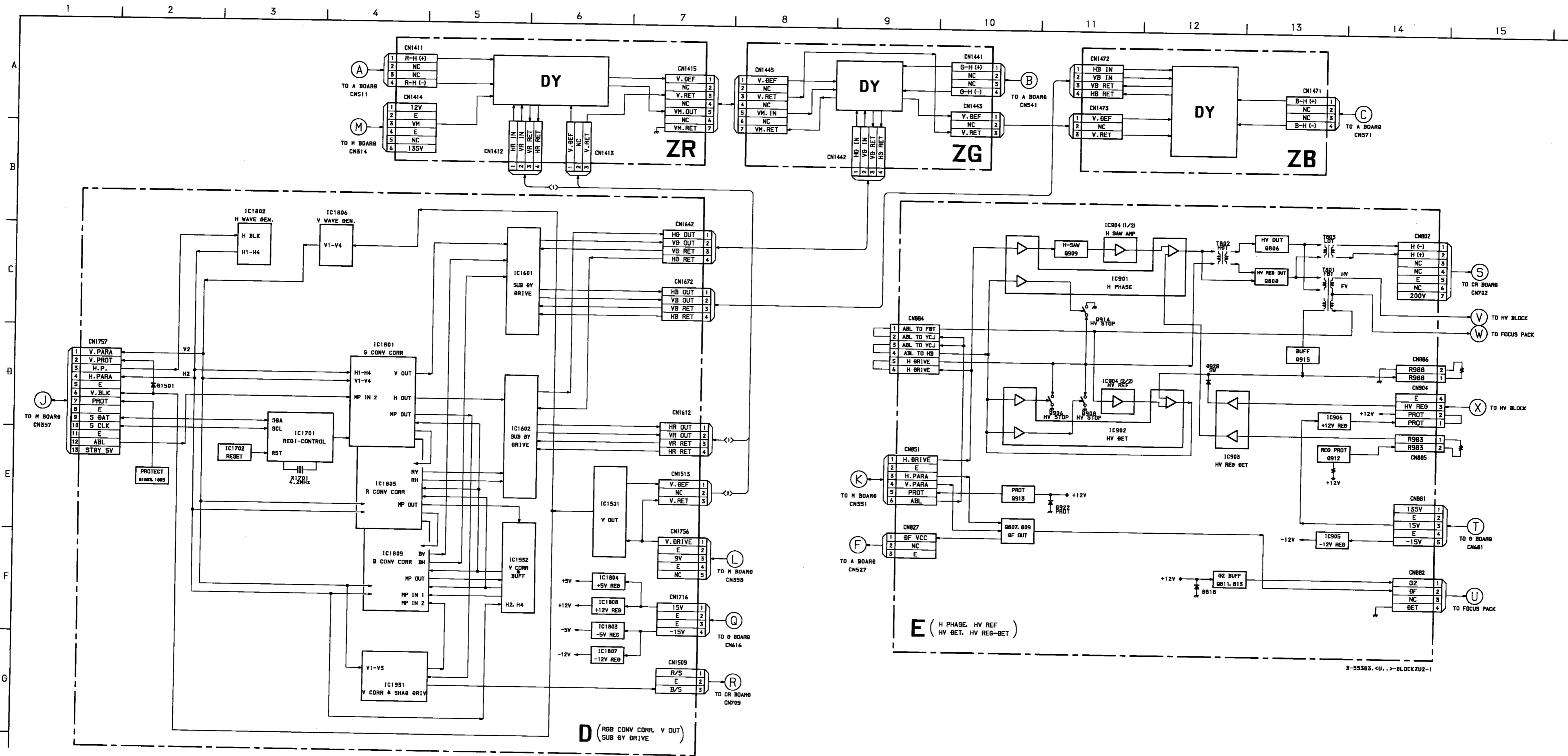


M (SYSTEM CONTROL)
Y/C JUNGLE

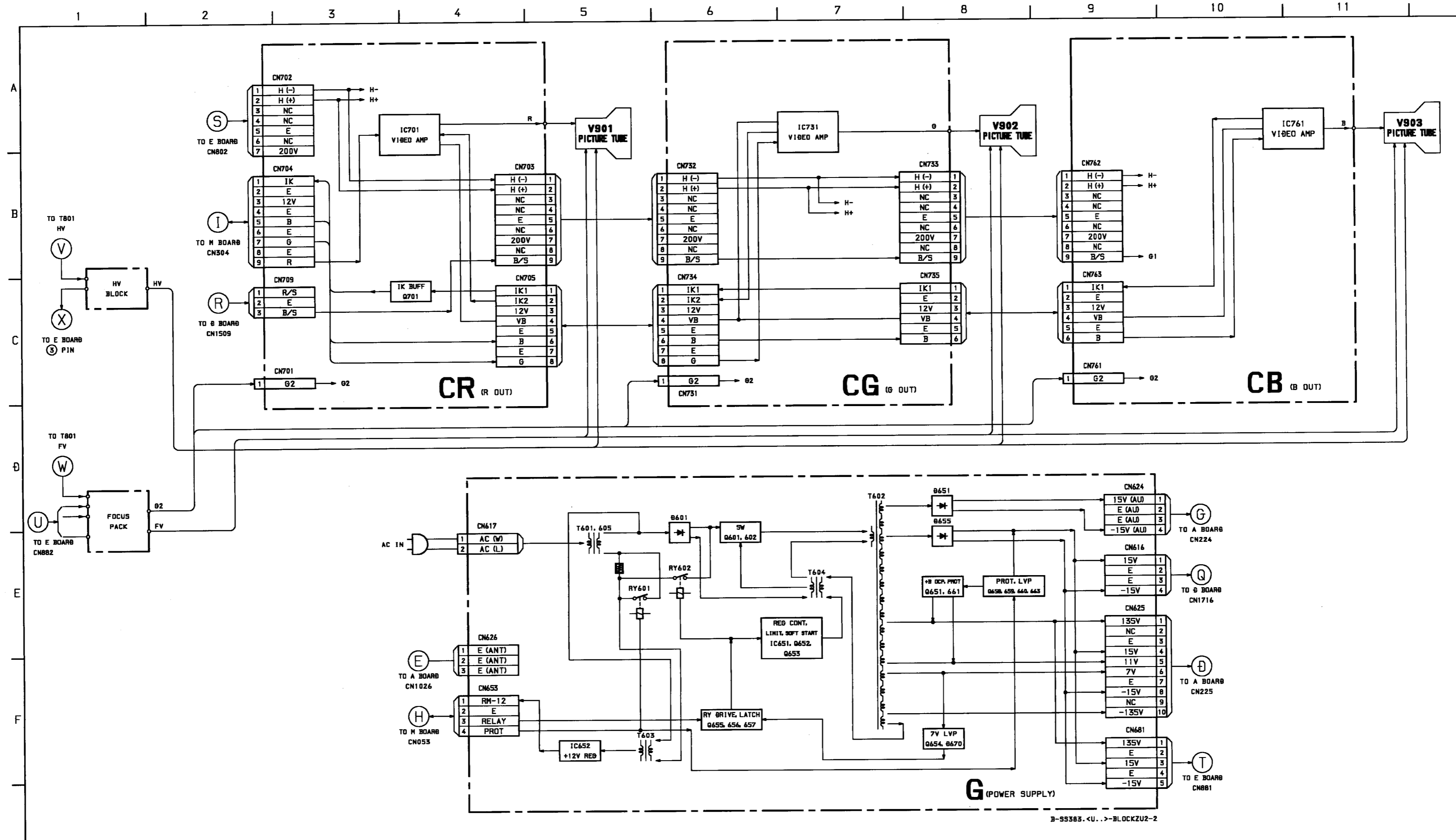
B-95383. CU. 1-3-R1 DK7111-1

1 2 3 4 5 6 7 8 9 10 11 12



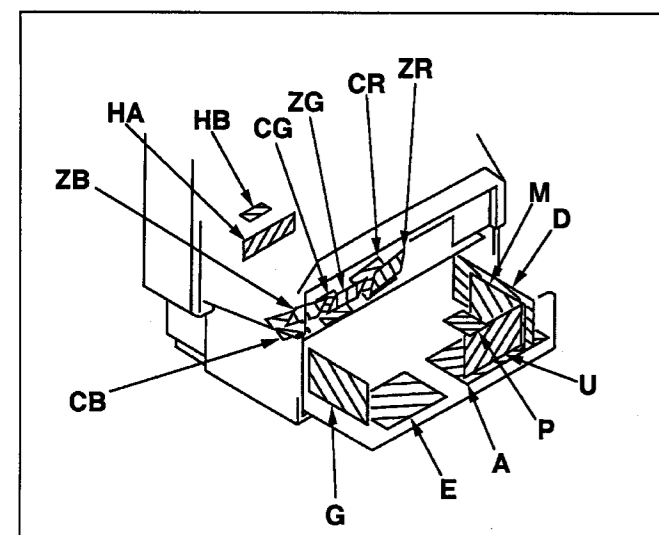


BLOCK DIAGRAMS (4)



B-55383. <U...> -BLOCKZU2-2

4-2. CIRCUIT BOARDS LOCATION



4-3. PRINTED WIRING BOARDS AND SCHEMATIC DIAGRAMS

- Note:
- All capacitors are in μF unless otherwise noted. pF: μF 50WV or less are not indicated except for electrolytics and tantalums.
 - All resistors are in ohms. $k\Omega = 1000\Omega$, $M\Omega = 1000k\Omega$
 - Indication of resistance, which does not have one for rating electrical power, is as follows.

Pitch: 5mm
Rating electrical power: 1/4W

- : nonflammable resistor.
- : fusible resistor.
- Δ : internal component.
- : panel designation and adjustment for repair.
- All variable and adjustable resistors have characteristic curve B, unless otherwise noted.
- : earth-chassis.
- The components identified by in this basic schematic diagram have been carefully factory-selected for each set in order to satisfy regulations regarding X-ray radiation. Should replacement be required, replace only with the value originally used.
- When replacing components identified by make the necessary adjustments indicated. If results do not meet the specified value, change the component identified by and repeat the adjustment until the specified value is achieved. (Refer to R808, R809, R983 and R988 adjustment on Page 18 - 22.)
- When replacing the part in below table, be sure to perform the related adjustment.

Part replaced ()	Adjustment ()
HV Block Q915, D804, D806, D809, D909, D912, C818, R809, R855, R856, R857, R858, R854, R955, R983, R984, R988, R991, R995, R998, R998, T801 (FBT), T803E BOARD	HV HOLD-DOWN (R809, R988)
HV Block Q909, D902, D920, D925, C918, C930, C934, C980, R808, R851, R929, R936, R939, R942, R944, R945, R946, R947, R950, R965, R967, R971, R975, R976, R982, R983, R985, R998E BOARD	HV Reagurater (R808, R983)

- Reference information
- RESISTOR : RN METAL FILM
: RC SOLID
: FPRD NONFLAMMABLE CARBON
: FUSE NONFLAMMABLE FUSIBLE
: RW NONFLAMMABLE WIREWOUND
: RS NONFLAMMABLE METAL OXIDE
: RB NONFLAMMABLE CEMENT
: * ADJUSTMENT RESISTOR
COIL : LF-8L MICRO INDUCTOR
CAPACITOR : TA TANTALUM
: PS STYROL
: PP POLYPROPYLENE
: PT MYLAR
: MPS METALIZED POLYESTER
: MPP METALIZED POLYPROPYLENE
: ALB BIPOLAR
: ALT HIGH TEMPERATURE
: ALR HIGH RIPPLE

- As to the voltage value shown by the semiconductors on the Schematic Diagram, see the another list.
- Readings are taken with a color-bar signal input.
- Readings are taken with a 10M Ω digital multimeter.
- Voltages are dc with respect to ground unless otherwise noted.
- Voltage variations may be noted due to normal production tolerances.
- All voltages are in V.
- *: Measurement impossibility.
- Circled numbers are waveform references.
- : B+ bus.
- : B- bus.
- : signal path.(RF)

Note: The symbol display is on the component side.

The components identified by shading and mark Δ are critical for safety. Replace only with part number specified.

The symbol indicate fast operating fuse. Replace only with fuse of same rating as maked.

Note: Les composants identifiés par un tramé et une marque Δ sont critiques pour la sécurité. Ne les remplacer que par une pièce portant le numéro spécifié.

Le symbole indique une fusible a action rapide. Doit être remplacé par une fusible de même valeur, comme maque.

A BOARD

IC	
IC201	B-9
IC202	B-7
IC230	D-8
IC262	A-3
IC263	A-2
IC264	A-5

TRANSISTOR

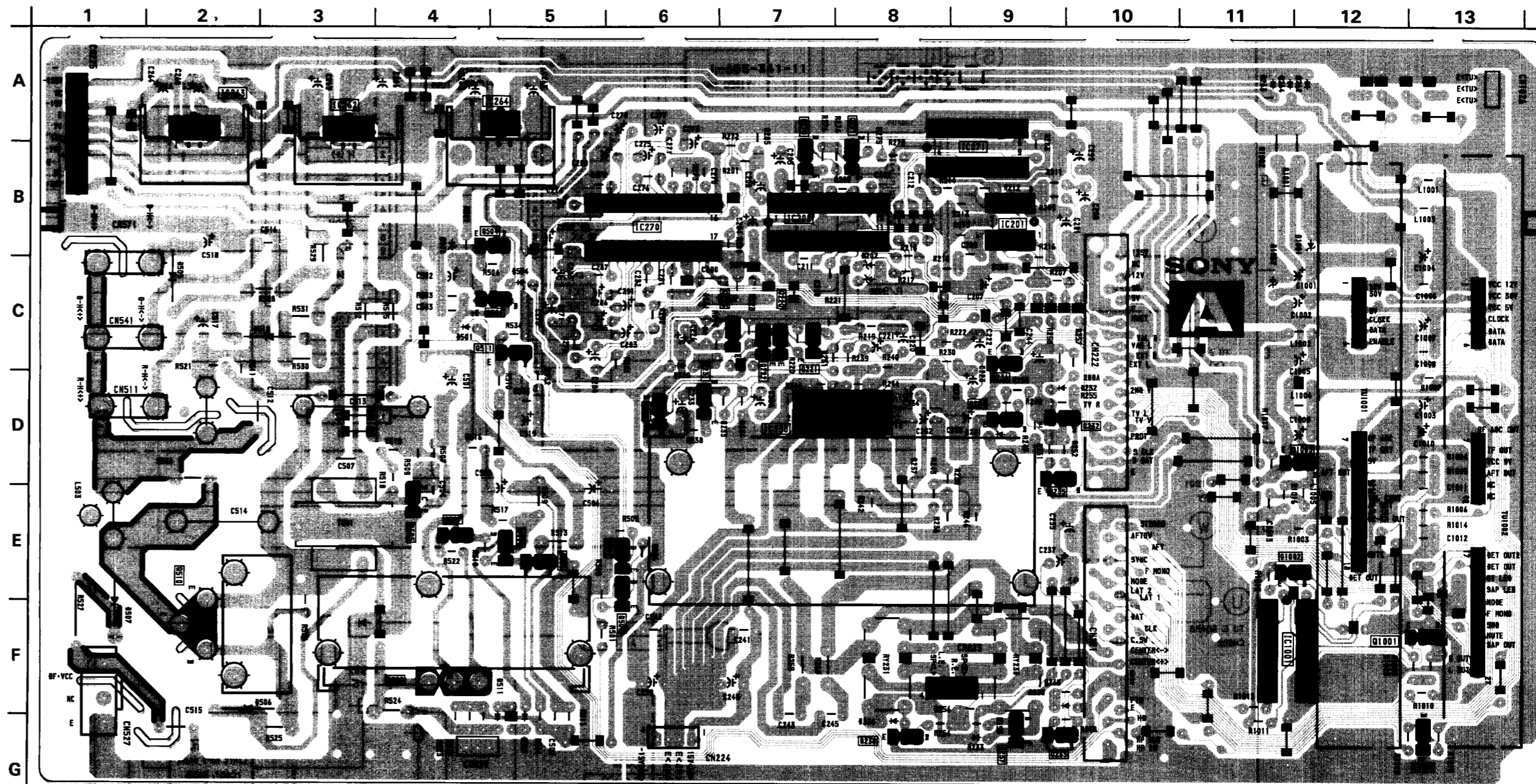
Q220	C-7
Q221	C-7
Q223	C-7
Q230	D-6
Q231	D-6
Q232	D-10
Q234	D-9
Q235	E-10
Q236	D-9
Q501	C-5
Q502	E-6
Q503	E-6
Q504	B-5
Q505	E-4
Q506	E-5
Q507	E-4
Q508	E-5
Q509	F-4
Q510	F-2
Q511	C-5
Q1003	D-12
Q1004	G-13

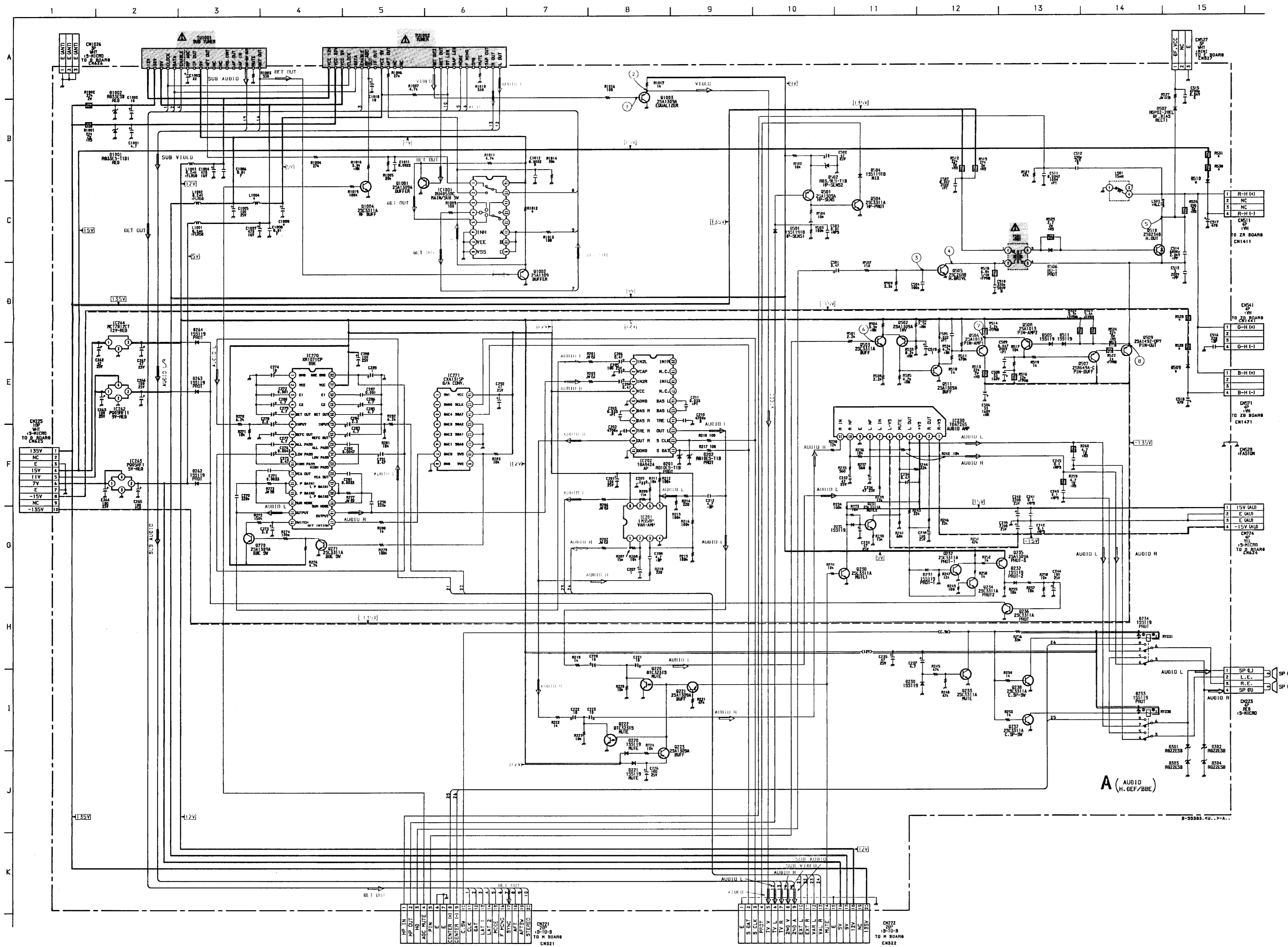
DIODE

D201	C-8
D202	C-8
D220	D-6
D221	C-6
D230	F-9
D231	D-9
D232	D-10
D233	F-9
D234	F-8
D235	D-6
D262	A-12
D263	A-11
D264	A-12
D501	C-4
D502	B-4
D504	C-5
D505	G-5
D506	G-3
D507	F-1
D509	C-2
D510	C-3
D511	G-5
D1001	B-12
D1002	C-11

A [AUDIO, H. DEF/BBE]

- A BOARD -





A BOARD IC VOLTAGE LIST ALL VOLTAGES ARE IN V

IC201	1	6.1	3 6.1	5 6.1	7 6.1
	2	6.1	4 GND	6 6.1	8 12.0
IC202	1	6.0	5 GND	9 6.1	13 6.1
	2	12.0	6 6.1	10 GND	14 6.1
	3	6.0	7 6.1	11 4.6	15 6.1
	4	12.0	8 6.1	12 4.6	16 6.1
IC230	1	-16.3	4 0	7 0	10 0
	2	0	5 10.6	8 0	11 0
	3	15.0	6 -16.3	9 GND	
IC262	1	11.0	2 9.0	3 GND	4 11.0
	IC263	1	7.0	2 5.0	3 GND
IC264	1	15.0	2 GND	3 12.0	
	IC270	1	8	15	22
2		GND	9	16	23
3		10	17	24	31
4		11	18	25	32
5		12 GND	19	26	
6		13 GND	20	27	
7		14 GND	21	28	
IC271	1	NC	5 NC	9 NC	13 GND
	2	NC	6 NC	10	14
	3	NC	7	11 GND	15
	4	NC	8 GND	12 GND	16 12.0
IC1001	1	5	9	13 NC	
	2	6 GND	10	14 NC	
	3	7 GND	11	15	
	4	8 GND	12 NC	16 9.0	

A BOARD TRANSISTOR VOLTAGE LIST

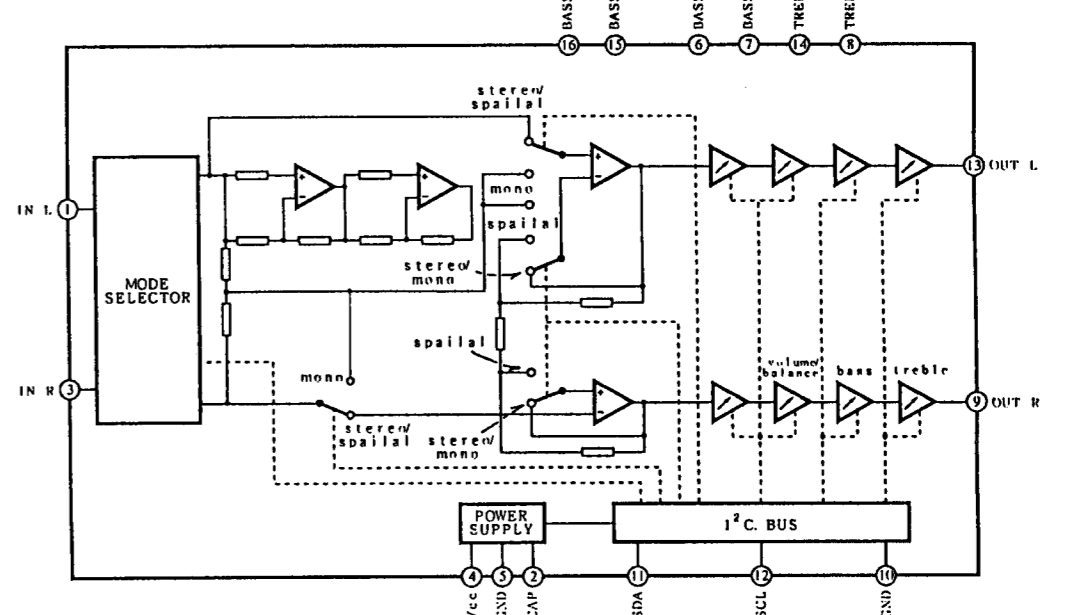
	E	C	B
Q220	GND	0	2.8
Q221	2.8	2.8	2.8
Q222	GND	0	2.8
Q223	11.9	2.8	11.1
Q230	GND	0	0.7
Q231	0	10.6	0
Q232	GND	9.0	0
Q233	GND	9.0	0
Q234	0	9.0	0
Q235	9.0	0	9.0
Q236	GND	4.6	0
Q237	GND		
Q238	GND		
Q270	12.0		
Q271	GND		
Q501	3.2	0	4.1
Q502	6.9	0.9	6.4
Q503	3.1	6.9	3.7
Q504	GND	4.9	0
Q505	GND	63.7	-0.7
Q506	2.1	-54.0	1.6
Q507	-124.3	-137.3	-121.6
Q508	2.1	-121.6	1.7
Q509	-122.9	-137.3	-123.2
Q510	-122.9	*	-123.5
Q511	1.6	GND	0.9
Q1001	GND	GND	GND
Q1002	9.0	GND	GND
Q1003	5.6	GND	5.1
Q1004	GND	0	0

A BOARD * MARK

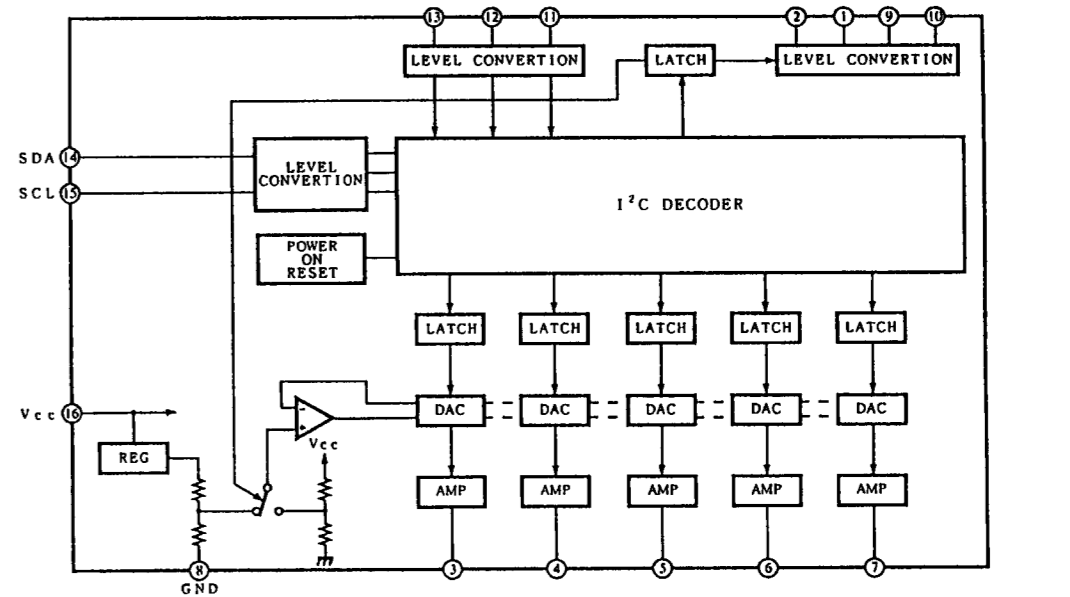
Ref.No.	KP-46V25 (U/C)	KP-53V25 (US)	KP-61V25 (US)
D509	V06C-T52	V06C-T52	-
D510	V06C-T52	V06C-T52	-
R528	270 3W	270 3W	-
R529	270 3W	270 3W	-
R530	270 3W	270 3W	-
R531	270 3W	270 3W	-

- : NOT MOUNT

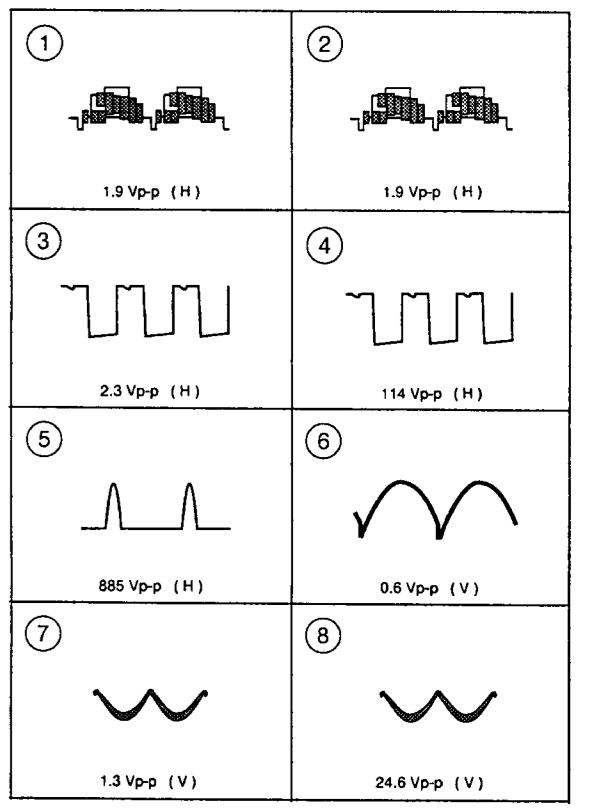
A BOARD IC202 TDA8424



A BOARD IC201 LM358P



A BOARD WAVEFORMS



D BOARD IC VOLTAGE LIST

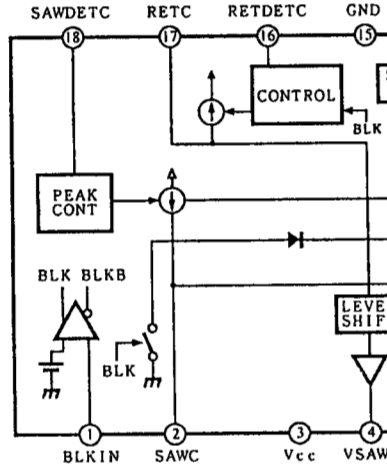
ALL VOLTAGES ARE IN V

IC1601	1 1.5 2 15.0	3 -13.8 4 -15.0	5 0.3 6 15.0	7 1.5	
IC1601	1 -133 2 -133 3 -133 4 0 5 0	6 0.4 7 0.4 8 GND 9 0 10 0	11 14.2 12 -14.3 13 -14.3 14 12 15 15.0	16 -15.0 17 -15.0 18 15.0 19 -15.0 20 0	21 0 22 0
IC1602	1 -133 2 -133 3 -133 4 0.2 5 0.2	6 -0.1 7 -0.1 8 GND 9 -0.5 10 -0.5	11 14.2 12 -14.3 13 18.50 14 14.2 15 15.0	16 -15.0 17 -15.0 18 15.0 19 -15.0 20 -0.2	21 -0.9 22 0.3
IC1701	1 NC 2 NC 3 NC 4 NC 5 NC 6 NC 7 NC 8 NC 9 NC 10 NC 11 NC 12 NC 13 NC 14 NC	15 NC 16 NC 17 NC 18 NC 19 NC 20 NC 21 5.1 22 NC 23 NC 24 3.2 25 NC 26 NC 27 NC 28 NC	29 NC 30 0.7 31 0.3 32 GND 33 NC 34 GND 35 2.7 36 5.2 37 5.2 38 NC 39 0 40 0 41 0 42 0	43 0 44 0 45 NC 46 GND 47 GND 48 GND 49 NC 50 NC 51 NC 52 NC 53 NC 54 4.7 55 NC 56 4.6	
IC1702	1 5.2 2 5.0	3 GND			
IC1801	1 0 2 -0.9 3 0 4 -1.1 5 0 6 -0.4 7 GND 8 5.2 9 -5.0	10 3.4 11 5.1 12 0.7 13 3.2 14 -2.1 15 0 16 -0.9 17 0 18 -0.9	19 0 20 -0.5 21 5.0 22 0 23 1.5 24 0 25 0 26 0 27 0	28 0 29 0 30 0 31 3.2 32 0.7 33 5.2 34 0 35 0	37 0 38 0 39 0 40 0.2 41 0 42 GND 36 0
IC1802	1 0.8 2 1.2 3 5.0 4 0	5 -0.9 6 0 7 -1.1 8 0	9 -5.0 10 0.3 11 0.5 12 -0.9	13 0.4 14 1.3 15 GND 16 -1.7	17 1.3 18 -1.6

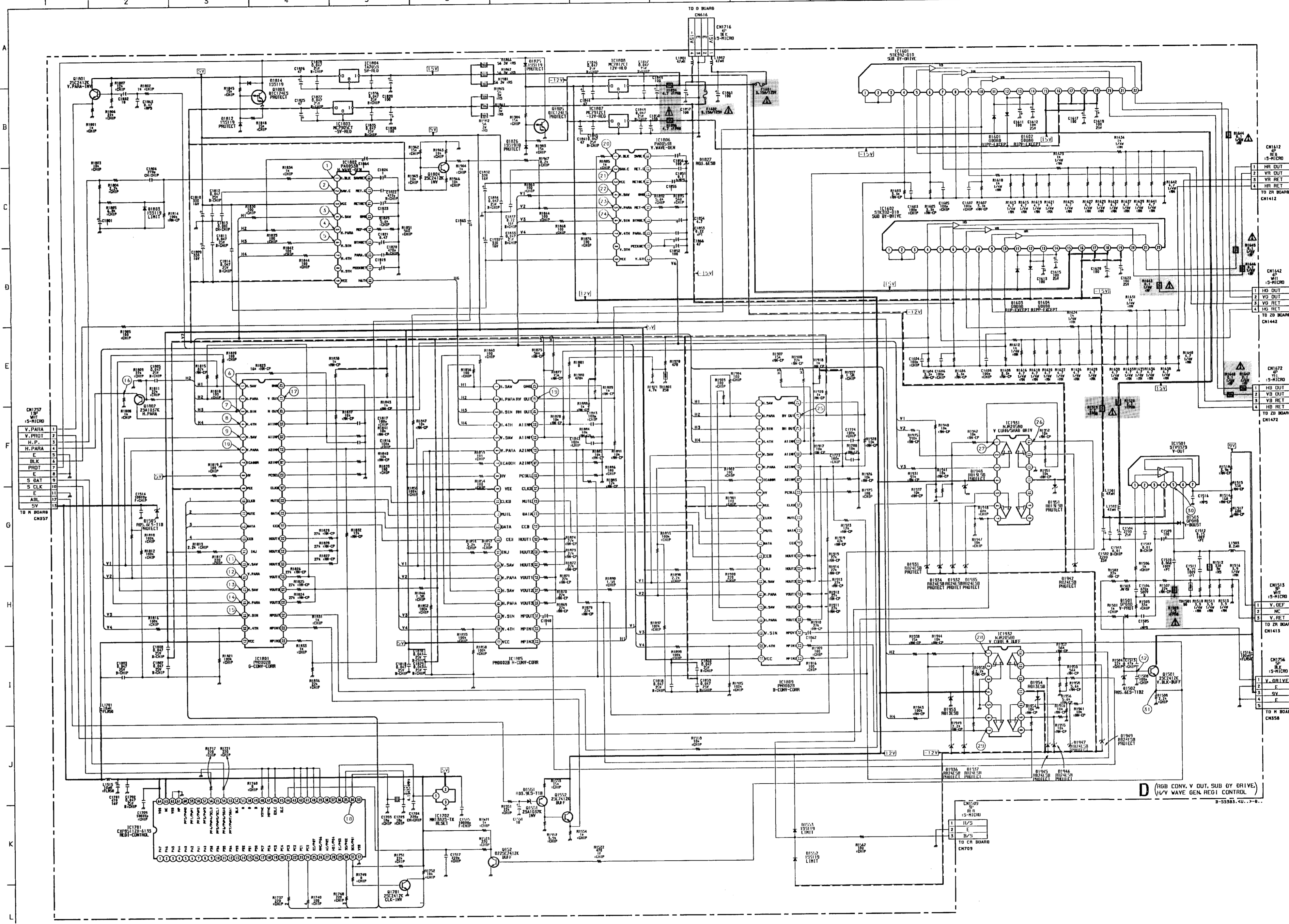
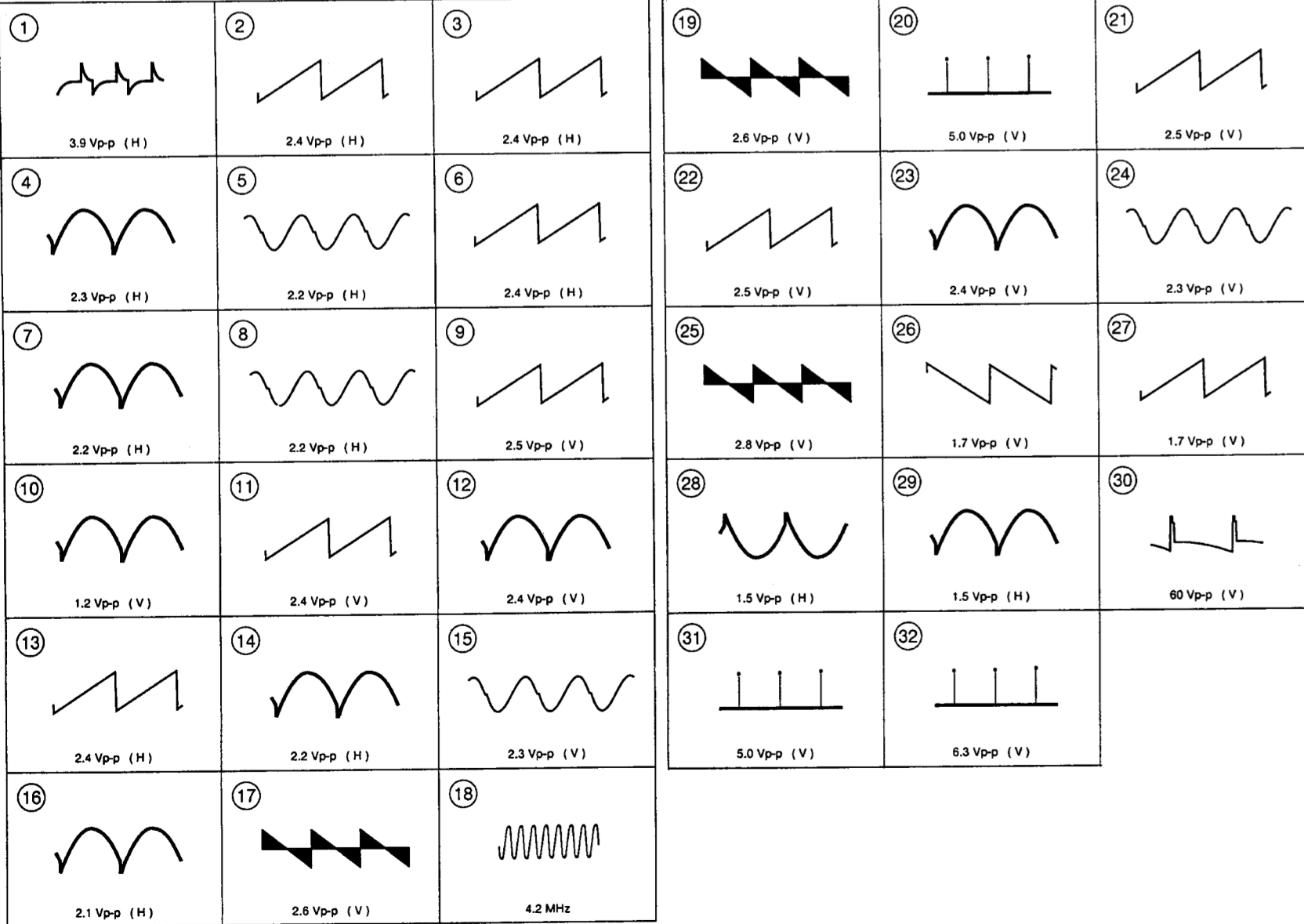
D BOARD TRANSISTOR VOLTAGE LIST

Q1501	0.2	9.0	-0.5
Q1502	4.0	2.1	3.4
Q1503	1.5	12.0	2.1
Q1701	GND	3.6	0.3
Q1801	2.6	5.0	3.2
Q1802	-2.5	-5.0	-3.1
Q1803	GND	4.8	0
Q1804	-0.3	0	-0.9
Q1805	GND	4.8	0

D BOARD IC1802 PA0053B

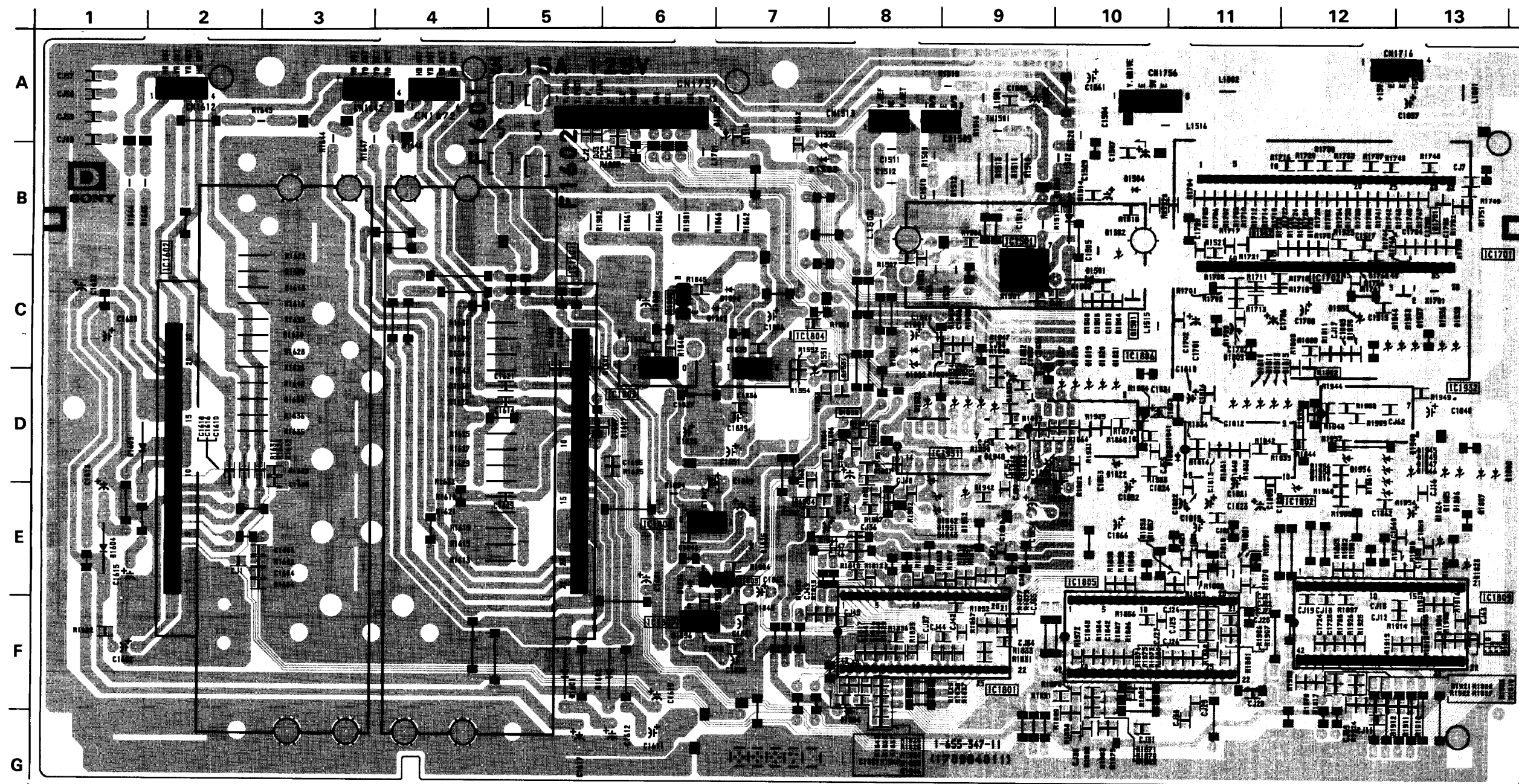


D BOARD WAVEFORMS



D RGB CONV, V OUT, SUB DY DRIVE,
H/V WAVE GEN, REGI CONTROL

- D BOARD -

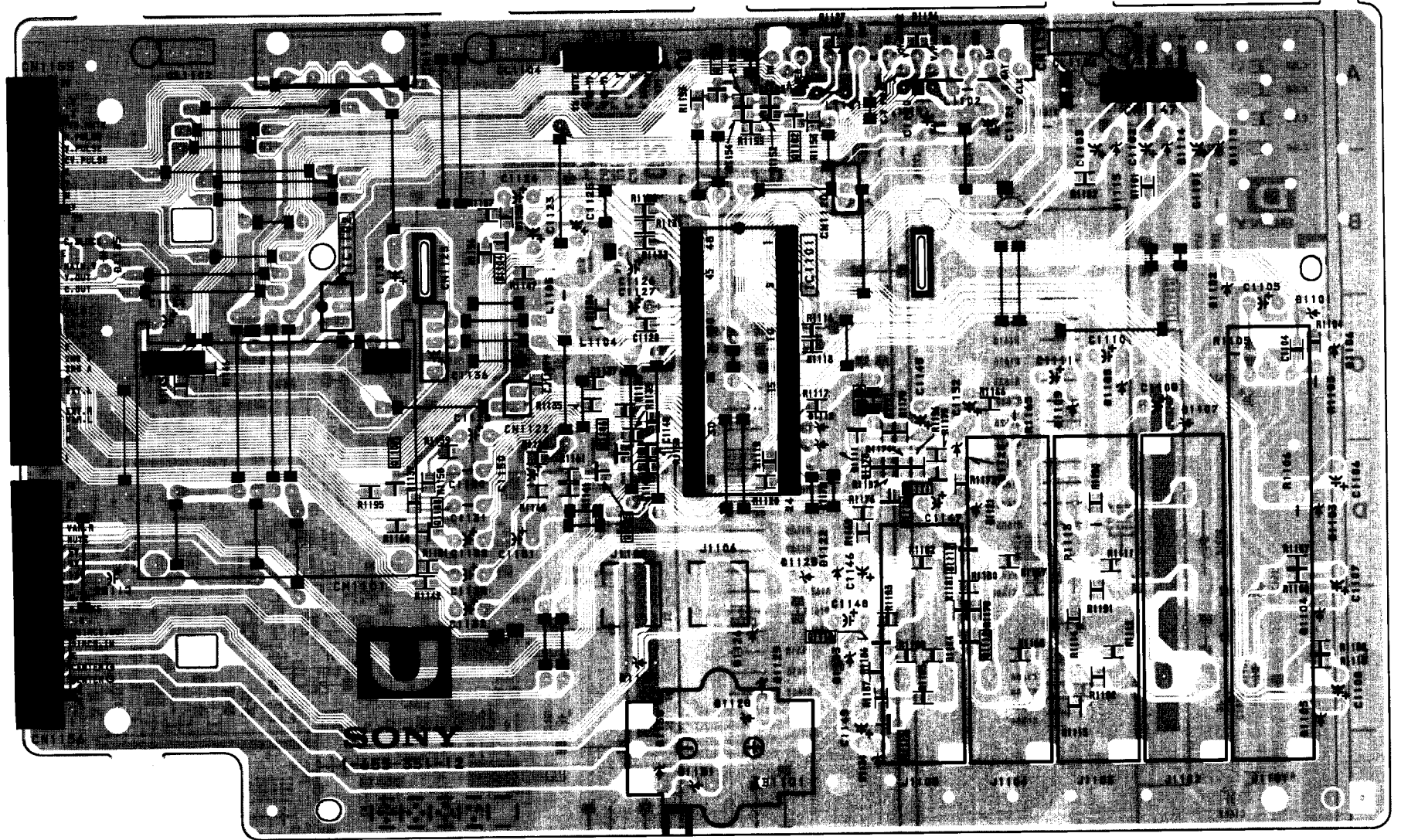


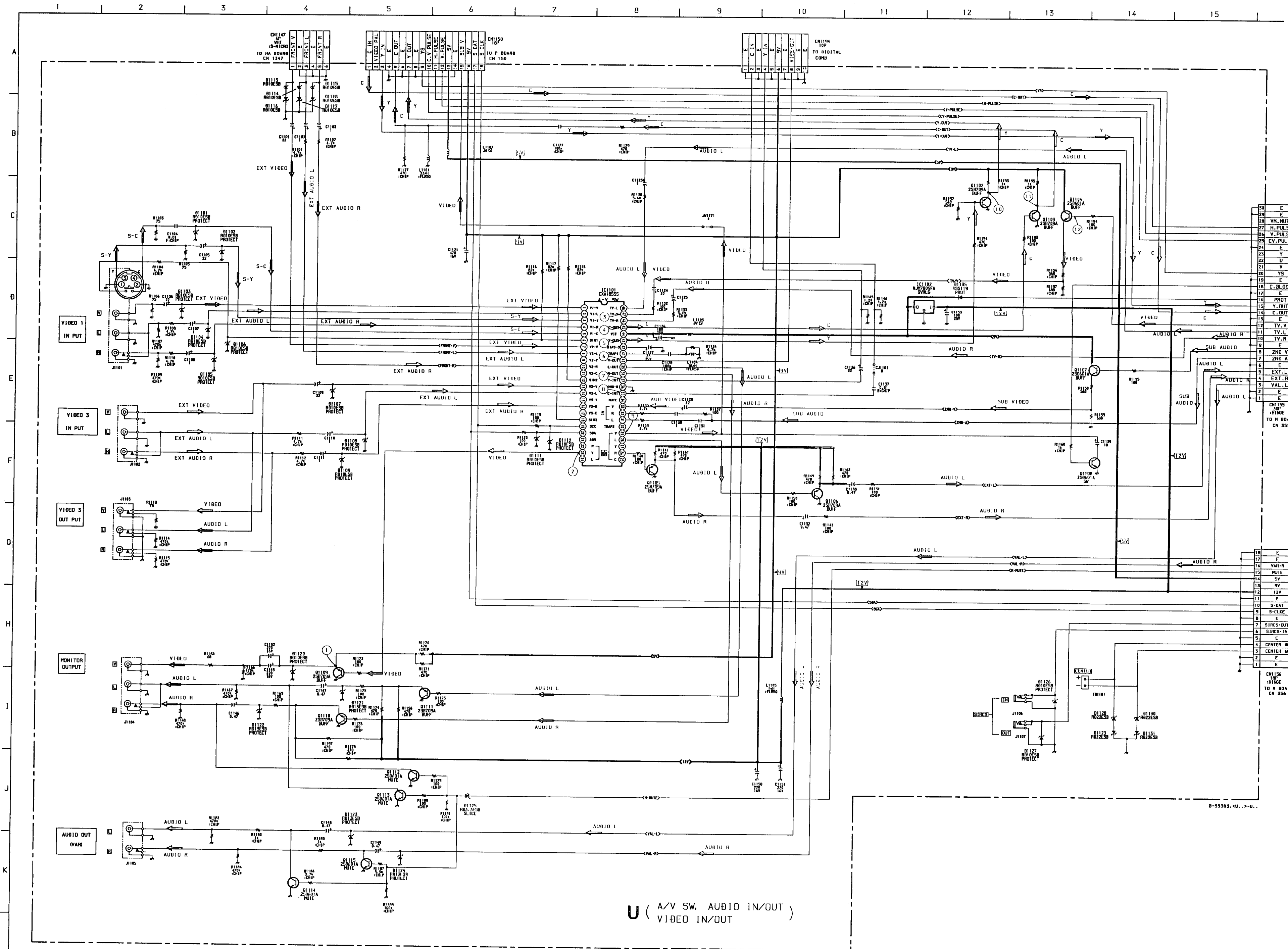
D BOARD

IC	IC1807	F - 7	Q1802	C - 12	D1601	F - 5	D1935	D - 9
IC1501	IC1808	E - 7	Q1803	C - 6	D1602	F - 6	D1936	C - 13
IC1601	IC1809	F - 12	Q1804	E - 8	D1603	D - 2	D1937	C - 13
IC1602	IC1931	D - 9	Q1805	E - 7	D1604	E - 1	D1942	E - 9
IC1701	IC1932	D - 13	DIODE		D1803	D - 11	D1945	D - 13
IC1702	TRANSISTOR		D1501	C - 10	D1812	C - 7	D1946	E - 13
IC1801	Q1501	C - 10	D1502	B - 10	D1814	C - 7	D1947	E - 13
IC1802	Q1502	B - 11	D1503	B - 10	D1825	E - 7	D1948	D - 9
IC1803	Q1551	D - 8	D1505	A - 6	D1826	E - 6	D1949	D - 13
IC1804	Q1552	D - 8	D1551	D - 8	D1827	D - 9	D1951	E - 9
IC1805	Q1701	B - 13	D1552	B - 8	D1931	D - 9	D1953	C - 12
IC1806	Q1801	D - 8	D1553	B - 8	D1932	D - 9	D1954	D - 12
					D1934	D - 9		

U [COM FILTER, AV, SW,
VIDEO OUT, AUDIO OUT]

- U BOARD -





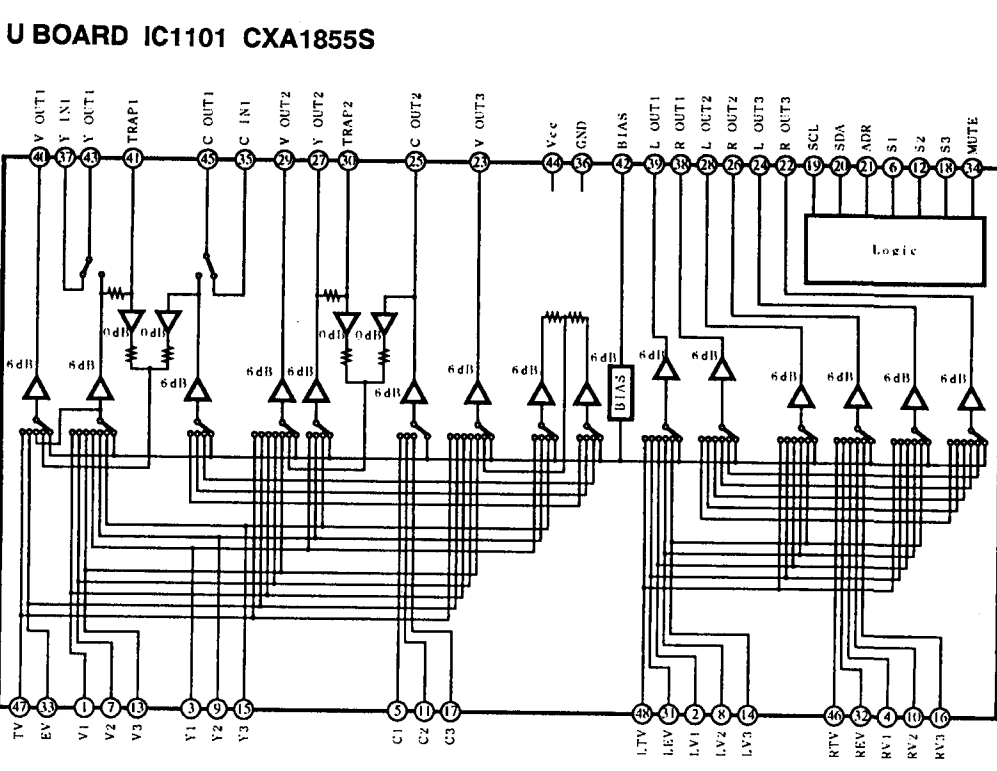
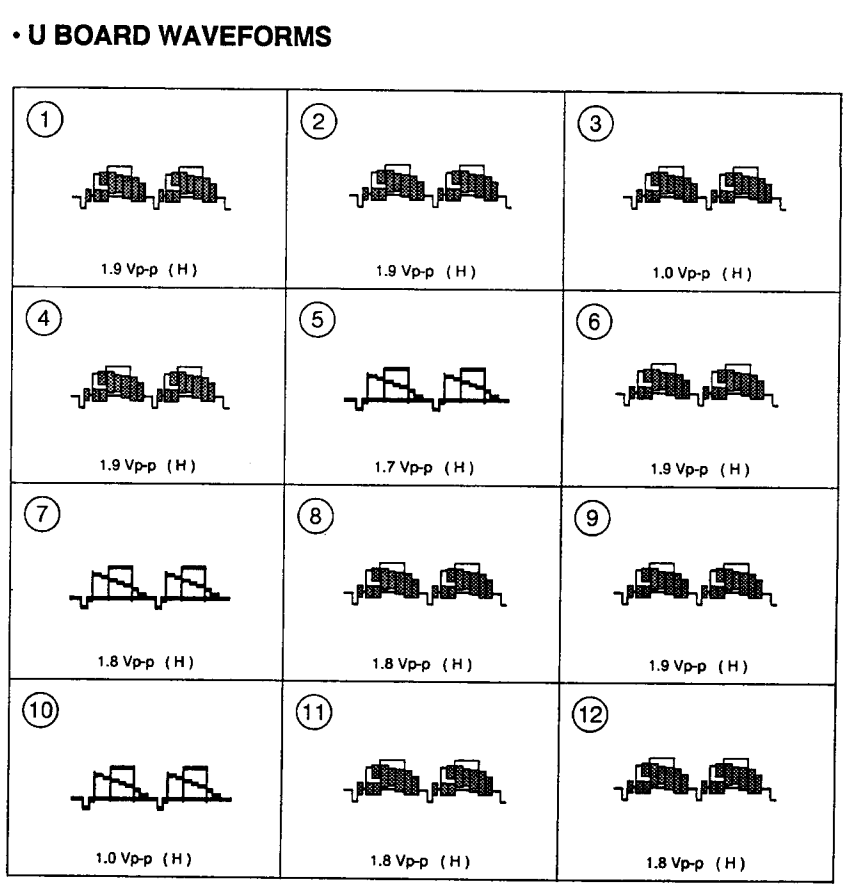
U (A/V SW, AUDIO IN/OUT)
VIDEO IN/OUT

U BOARD IC VOLTAGE LIST ALL VOLTAGES ARE IN V

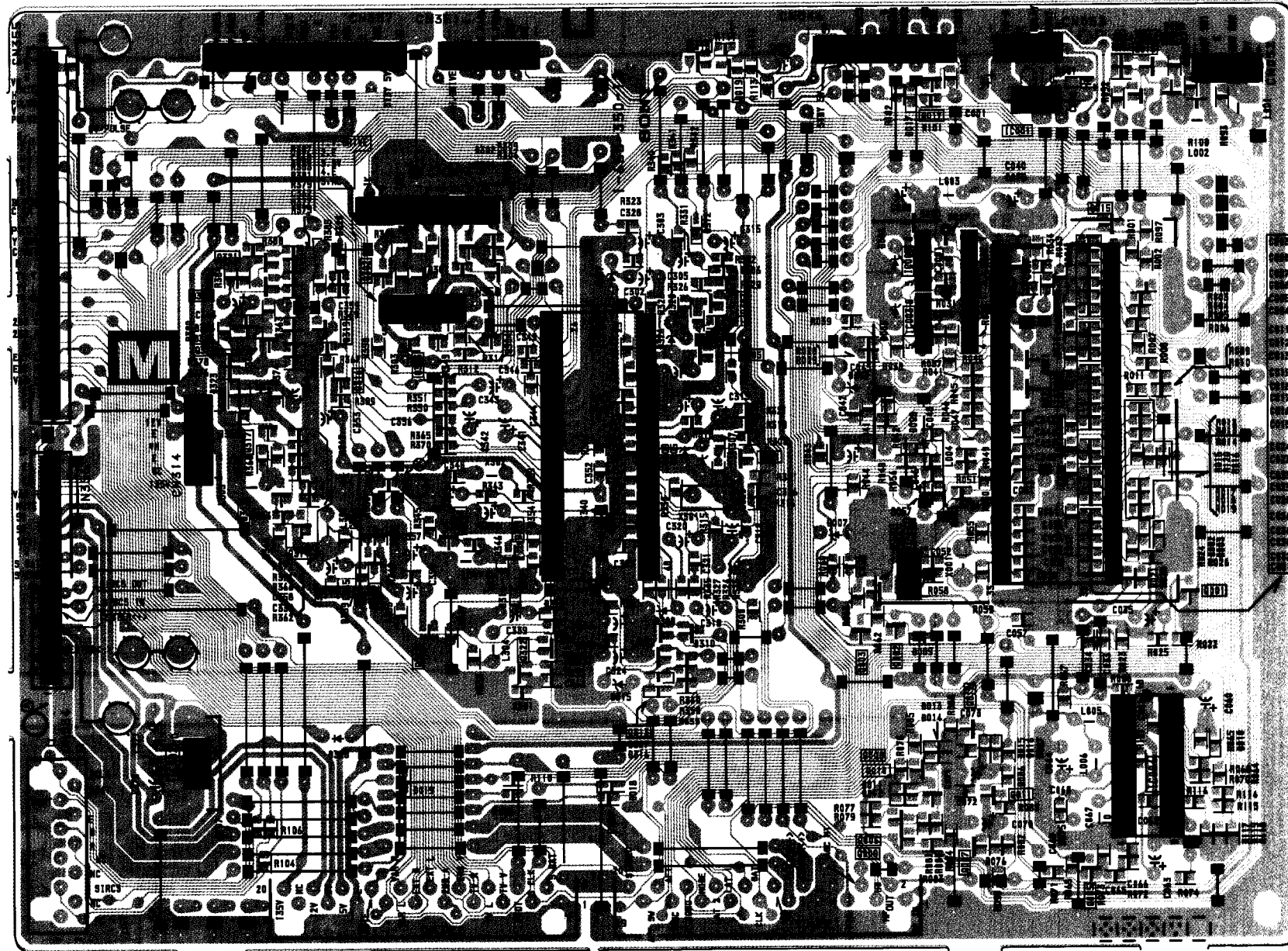
IC1101	1	4.7	11	NC	21	NC	31	4.7	41	4.7
	2	4.7	12	5.0	22	NC	32	4.7	42	4.7
	3	4.7	13	4.7	23	4.6	33	4.7	43	4.4
	4	4.7	14	4.7	24	NC	34	NC	44	9.0
	5	4.7	15	NC	25	NC	35	4.7	45	4.7
	6	5.0	16	4.7	26	4.8	36	GND	46	4.7
	7	3.6	17	NC	27	NC	37	4.7	47	4.7
	8	4.7	18	5.0	28	4.8	38	4.8	48	4.7
	9	NC	19	4.6	29	4.6	39	4.8		
	10	4.7	20	4.6	30	4.7	40	4.6		

U BOARD TRANSISTOR VOLTAGE LIST

	E	C	B
Q1102	3.1	GND	2.5
Q1103	5.3	GND	4.7
Q1104	5.1	9.0	5.8
Q1105	5.4	GND	4.8
Q1106	5.4	GND	4.8
Q1107	0	9.0	-0.3
Q1108	GND	0.9	-1.1
Q1109	5.3	GND	4.6
Q1110	5.4	GND	4.8
Q1111	5.4	GND	4.8
Q1112	GND	0	0
Q1113	GND	0	0
Q1114	GND	0	0
Q1115	GND	0	0



- M BOARD -



P [PICTURE IN PICTURE]

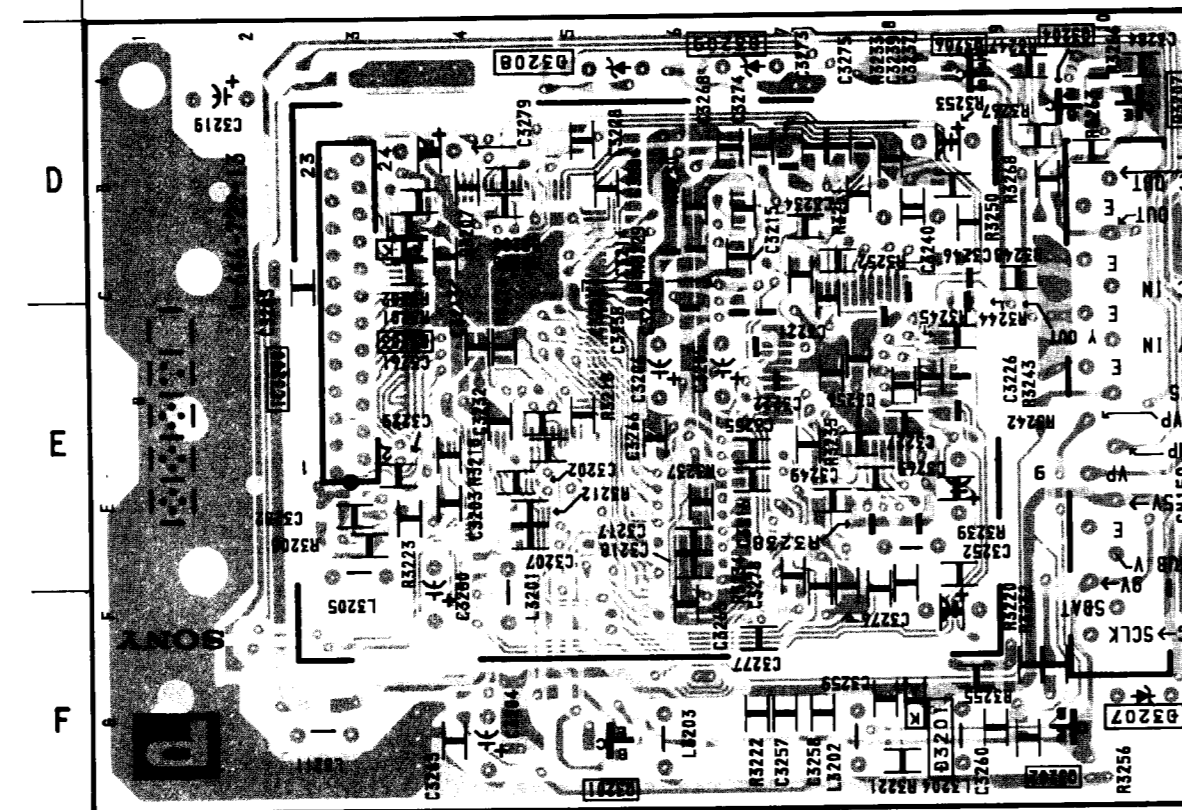
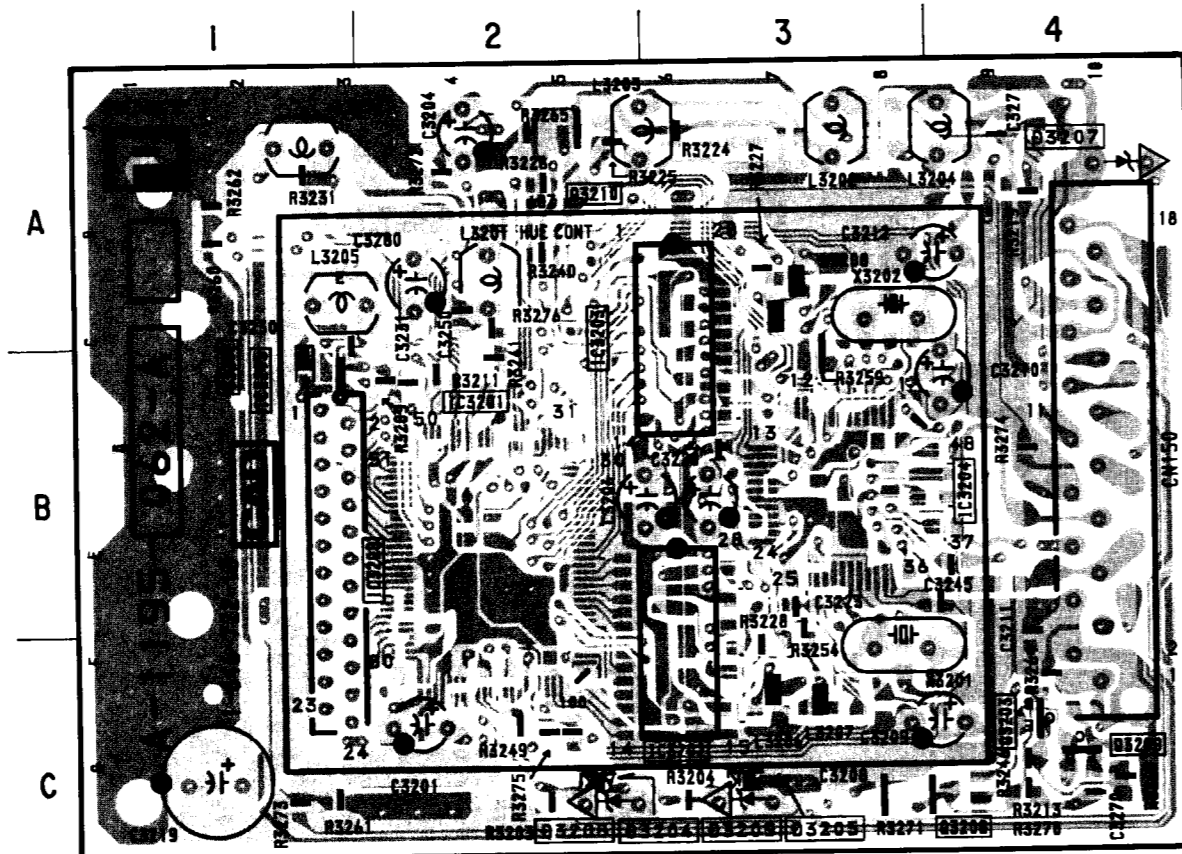
- P BOARD -

P BOARD

IC	
IC3200	E - 1
IC3201	B - 2
IC3202	C - 3
IC3203	B - 3
IC3204	B - 3
IC3205	B - 1

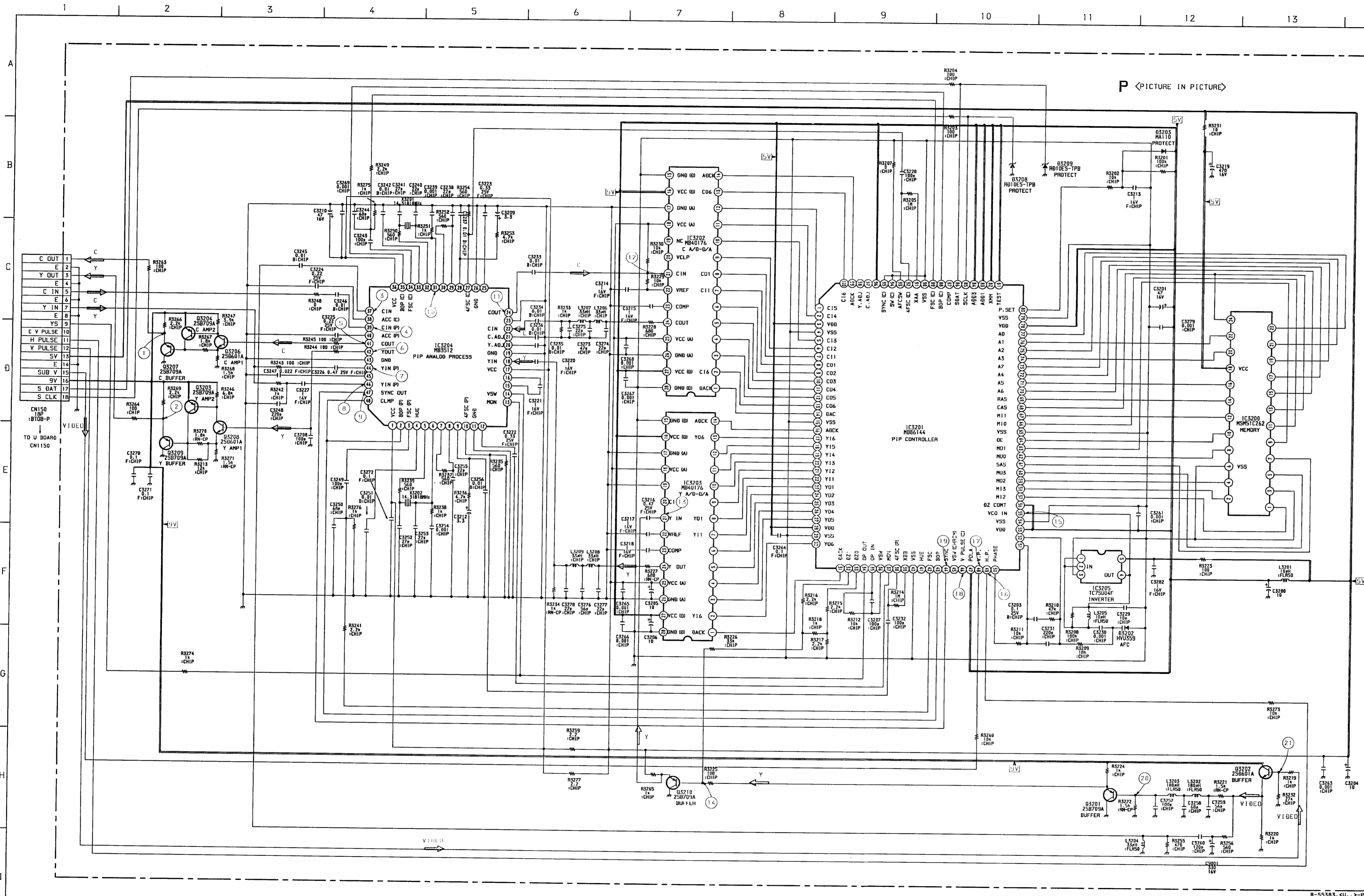
TRANSISTOR	
Q3201	F - 2
Q3202	F - 4
Q3203	C - 4
Q3204	D - 4
Q3206	D - 4
Q3207	D - 4
Q3208	C - 3
Q3209	C - 4
Q3210	A - 2

DIODE	
D3202	B - 1
D3203	D - 2
D3208	D - 2
D3209	D - 3

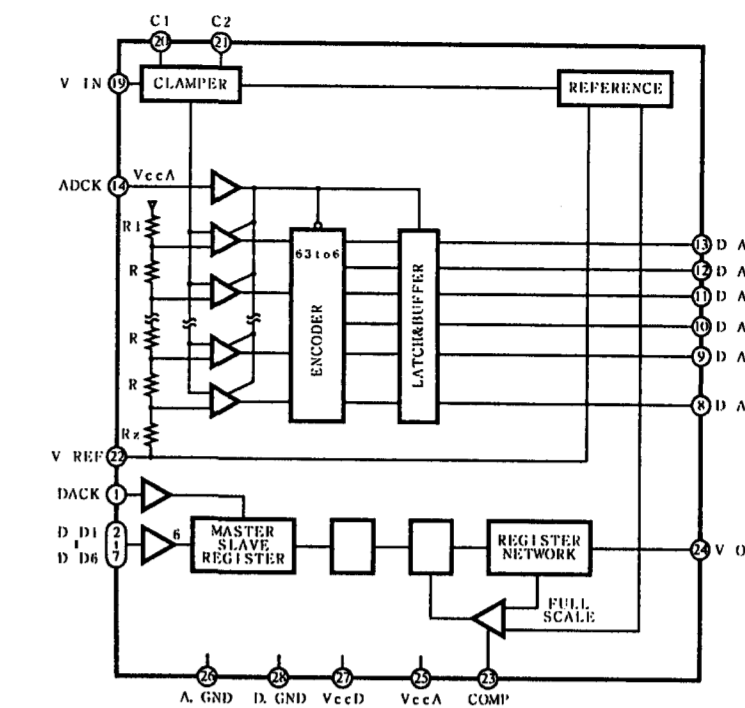


Note :

• [Symbol] : Pattern of the rear side.



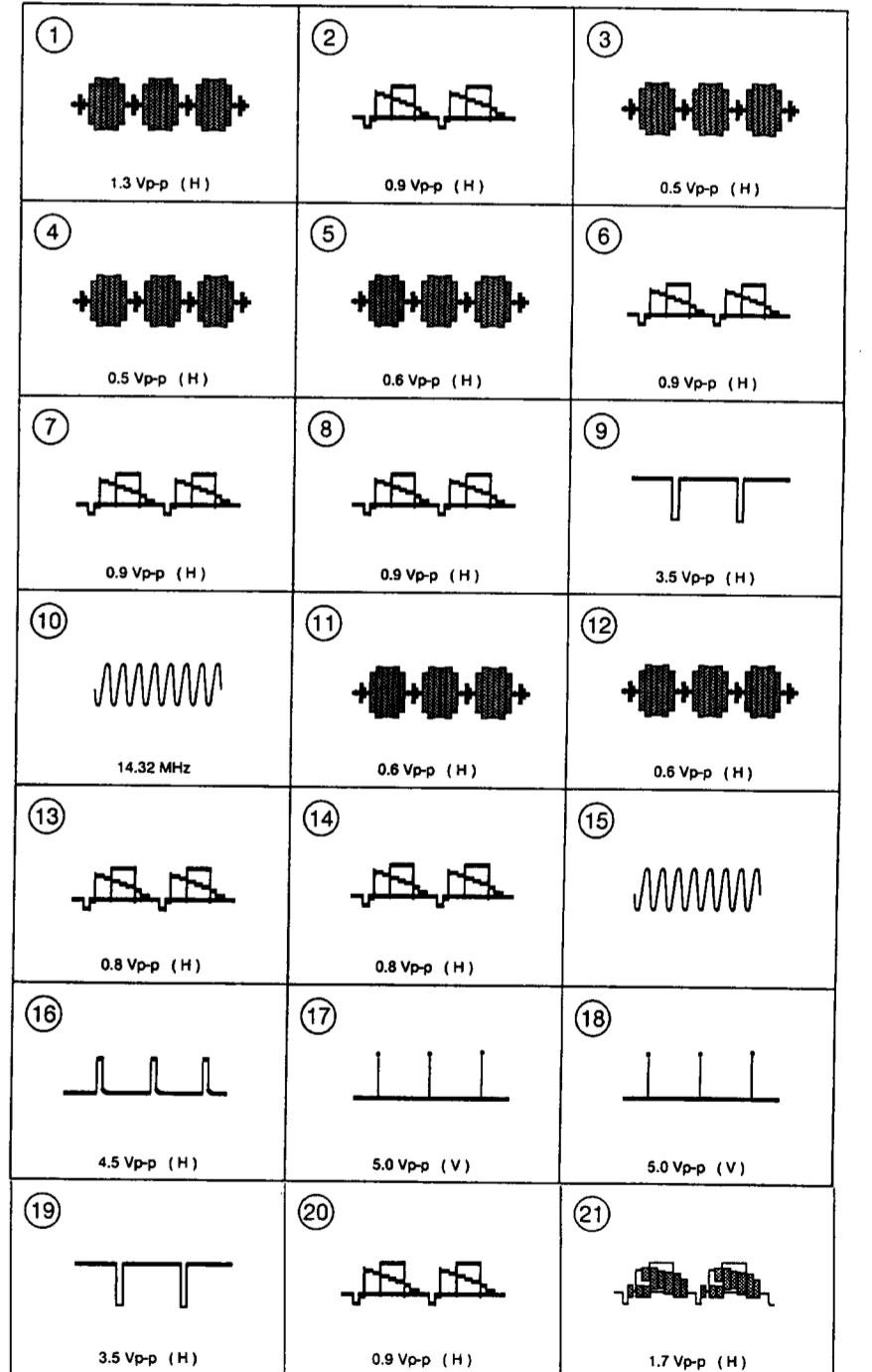
P BOARD IC3202, IC3203 MB40176



P BOARD IC VOLTAGE LIST ALL VOLTAGES ARE IN V

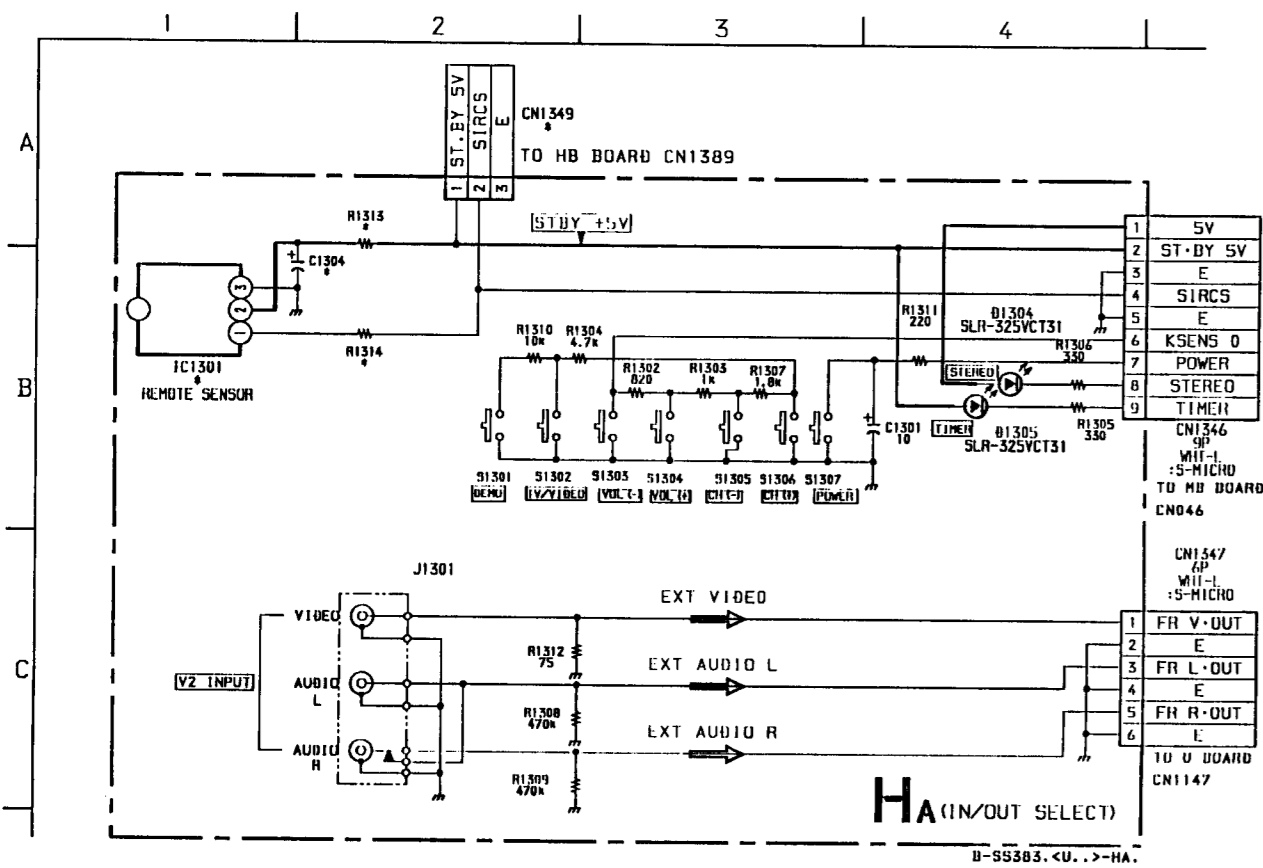
IC	Pin	1	2	3	4	5	6	7	8	9	10	11	12	13	14	15	16	17	18	19	20	21	22	23	24	25	
IC3200	1	*	6 GND	11 2.3	16 2.1	21 2.5																					
	2	*	7 1.5	12 2.4	17 2.5	22 2.5																					
	3	GND	8 *	13 4.0	18 5.0	23 2.3																					
	4	GND	9 2.0	14 3.2	19 2.5	24 4.0																					
	5	*	10 1.9	15 2.7	20 2.5																						
IC3201	1	3.1	21 2.0	41 4.9	61 *	81 5.0																					
	2	3.1	22 2.3	42 2.5	62 *	82 5.0																					
	3	5.0	23 5.0	43 4.7	63 *	83 5.0																					
	4	GND	24 5.0	44 3.7	64 *	84 5.0																					
	5	0	25 0	45 NC	65 GND	85 4.6																					
	6	2.9	26 0	46 0	66 2.3	86 4.6																					
	7	2.8	27 5.0	47 5.0	67 2.4	87 NC																					
	8	0	28 5.0	48 0.2	68 0.2	88 4.7																					
	9	0	29 GND	49 0.8	69 3.2	89 2.5																					
	10	0.2	30 0	50 2.5	70 2.7	90 GND																					
IC3202	1	2.6	7 0	13 0.8	19 NC	25 5.0																					
	2	4.9	8 2.8	14 2.7	20 NC	26 GND																					
	3	0.2	9 2.9	15 GND	21 4.5	27 5.0																					
	4	0.2	10 0	16 GND	22 4.1	28 GND																					
	5	0.2	11 3.1	17 GND	23 2.8																						
IC3203	1	2.9	7 5.0	13 0	19 GND	25 5.0																					
	2	0	8 2.3	14 2.7	20 NC	26 GND																					
	3	5.0	9 2.0	15 GND	21 4.5	27 5.0																					
	4	0	10 1.9	16 5.0	22 4.1	28 GND																					
	5	0	11 0.7	17 GND	23 2.8																						
IC3204	1	5.0	6 3.2	11 GND	16 2.4	21 3.6																					
	2	4.7	7 2.6	12 0.2	17 5.0	22 2.9																					
	3	3.3	8 2.5	13 0.2	18 2.9	23 GND																					
	4	3.3	9 2.8	14 4.9	19 GND	24 1.8																					
	5	3.4	10 2.5	15 2.7	20 3.6	25 0																					
IC3205	1	2.5	2 2.5	3 GND	4 2.5	5 4.9																					

P BOARD WAVEFORMS



P BOARD TRANSISTOR VOLTAGE LIST

IC	Pin	E	C	B
Q3201	26	GND	1.9	
Q3202	3.8	9.0	4.4	
Q3203	9.0	1.6	8.5	
Q3204	9.0	2.6	8.5	
Q3206	1.3	8.5	1.9	
Q3207	3.3	GND	2.6	
Q3208	0.9	8.5	1.6	
Q3209	2.3	GND	1.6	
Q3210	3.2	GND	2.6	



HA BOARD * MARK

Ref.No.	KP-46V25 (U/G)	KP-53V25 (US)	KP-61V25 (US)
C1304	-	-	10 50V
CN1349	○	○	-
IC1301	-	-	SBX1780 51
R1313	-	-	JW (5.0)
R1314	-	-	100

○ : TO BE MOUNT
- : NOT MOUNT

HA BOARD IC VOLTAGE LIST

IC1301	1	2	3	GND
	6.1	5.1		

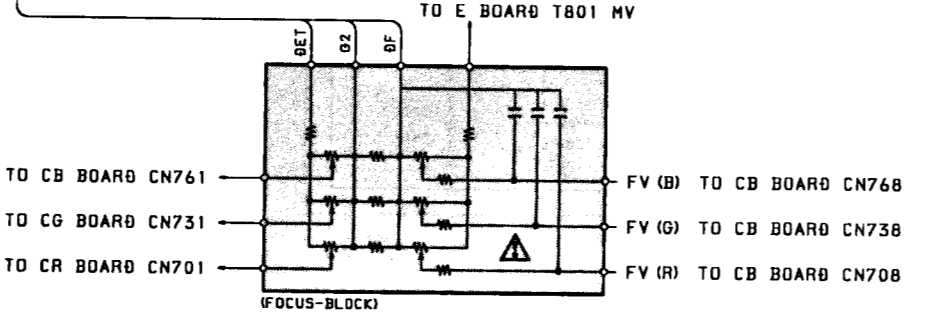
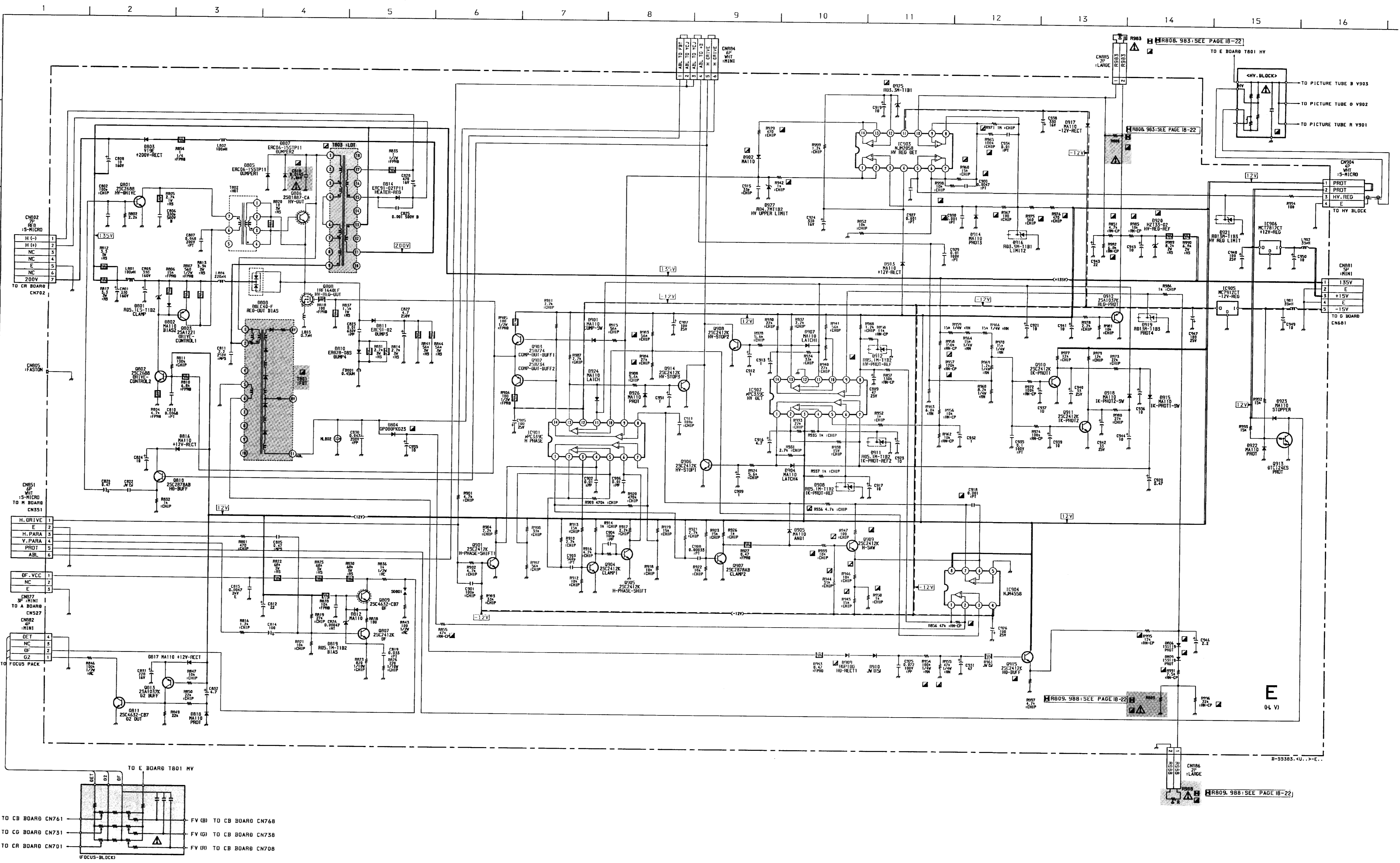
ALL VOLTAGES ARE IN V

E BOARD IC VOLTAGE LIST

IC901	1	2	3	4	5	6	7	8	9	10	11	12	13	14	15	16
	-6.3	4.39	7.48	10.40	13.11.6											
	6.3	5.77	8.28	11.0	14.20											
	12.0	6.77	9.28	12.0	-12.0											
IC902	1	0.2	4.62	7.0	10.40	13.02										
	2	0	5.48	8.52	11.0	14.0										
	3	12.0	6.62	9.50	12.0											
IC903	1	3.9	4.116	7.76	10.76	13.112										
	2	3.9	5.76	8.39	11.11	14.112										
	3	3.9	6.76	9.76	12.04											
IC904	1	8.9	3.89	5.0	7.22											
	2	8.9	4.120	6.02	8.120											
IC905	1	-12.0	2	-15.0	3	GND										
IC906	1	12.0	2	15.0	3	GND										

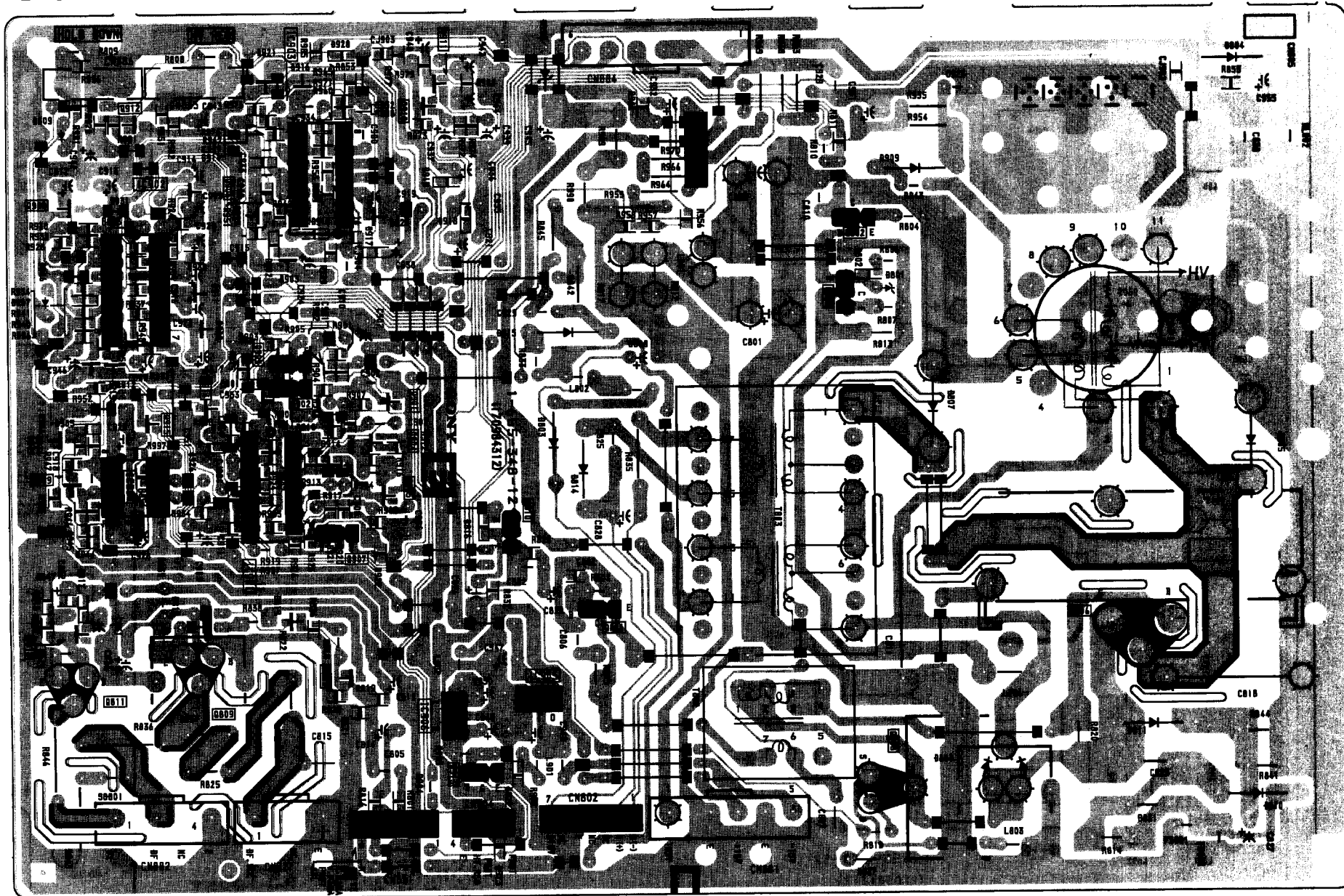
E BOARD TRANSISTOR VOLTAGE LIST

	E	C	B
Q801	GND	106.7	-0.3
Q802	2.1	131.7	2.5
Q803	137.3	106.8	131.7
Q806	51.9	135.6	51.9
Q807	2.7	11.6	3.3
Q809	11.9	354.0	12.3
Q810	2.1	11.7	2.6
Q811	GND	642.0	0
Q813	12.3	0	12.3
Q901	GND	3.9	0.3
Q902	1.9	-12.0	2.0
Q903	1.9	12.0	2.0
Q904	GND	0.6	0.6
Q905	GND	7.7	0.2
Q906	GND	2.6	0.2
Q907	GND	0.6	0.5
Q908	GND	2.6	0.2
Q909	0.2	2.2	-2.1
Q910	GND	0	0.7
Q911	GND	0	0.7
Q912	10.7	GND	10.1
Q913	GND	3.4	-0.3
Q914	GND	2.6	-0.6
Q915	0	12.0	0
Q808	S	D	G
	0	51.9	1.9

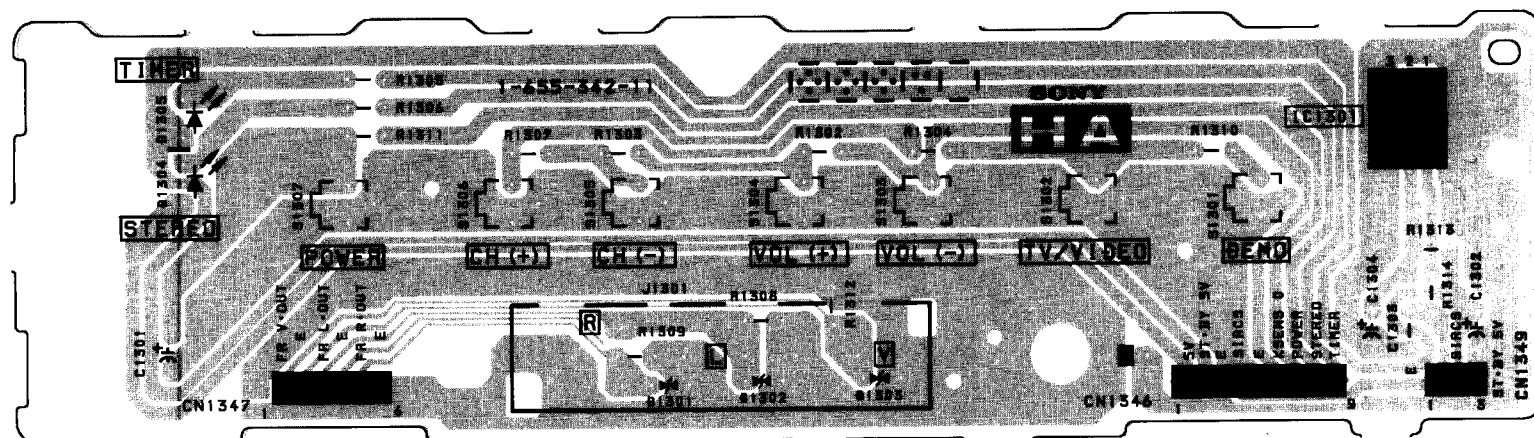



TO CB BOARD CN761 FV (B) TO CB BOARD CN768
 TO CG BOARD CN731 FV (G) TO CB BOARD CN738
 TO CR BOARD CN701 FV (R) TO CB BOARD CN708

- E BOARD -



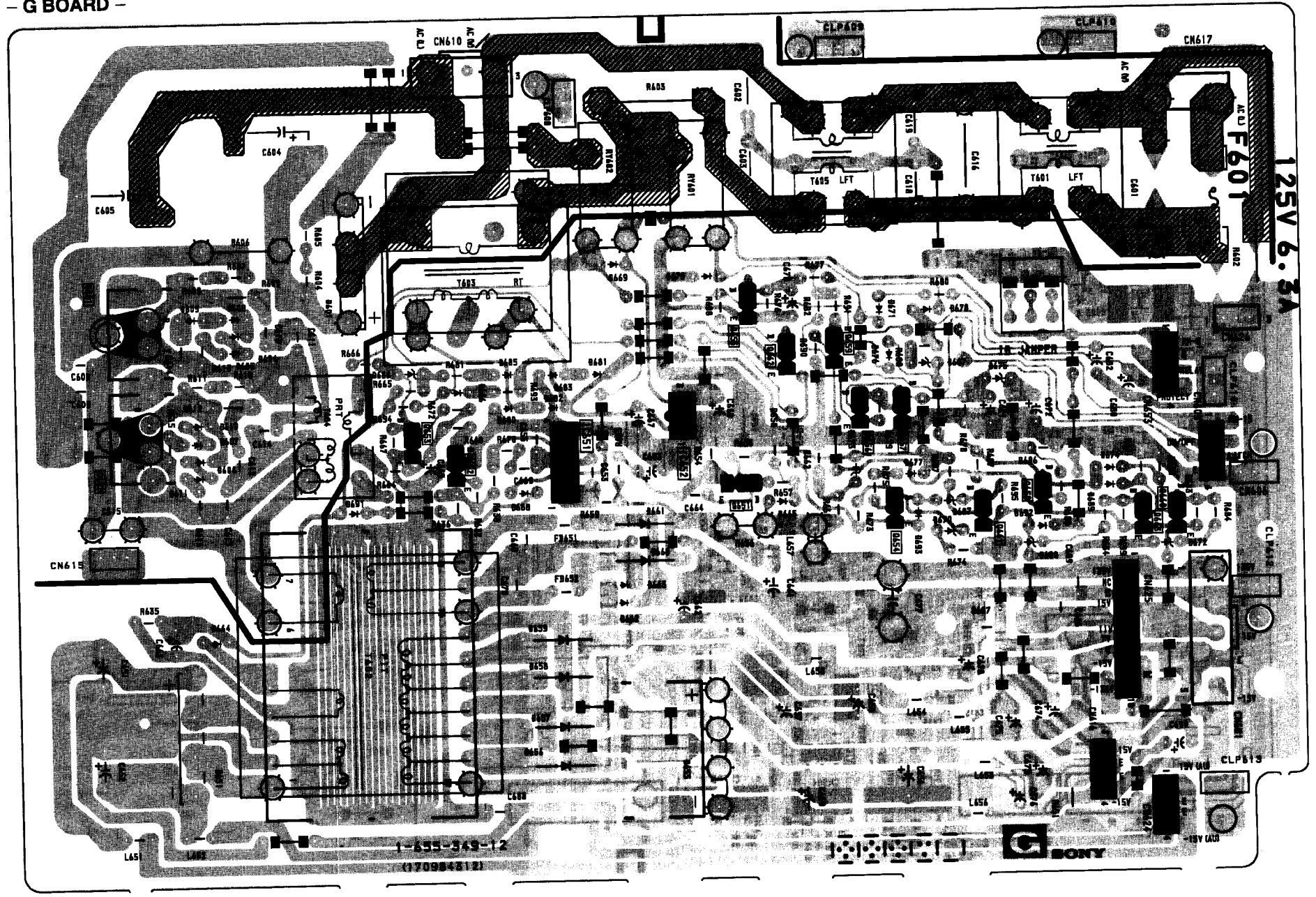
- HA BOARD -

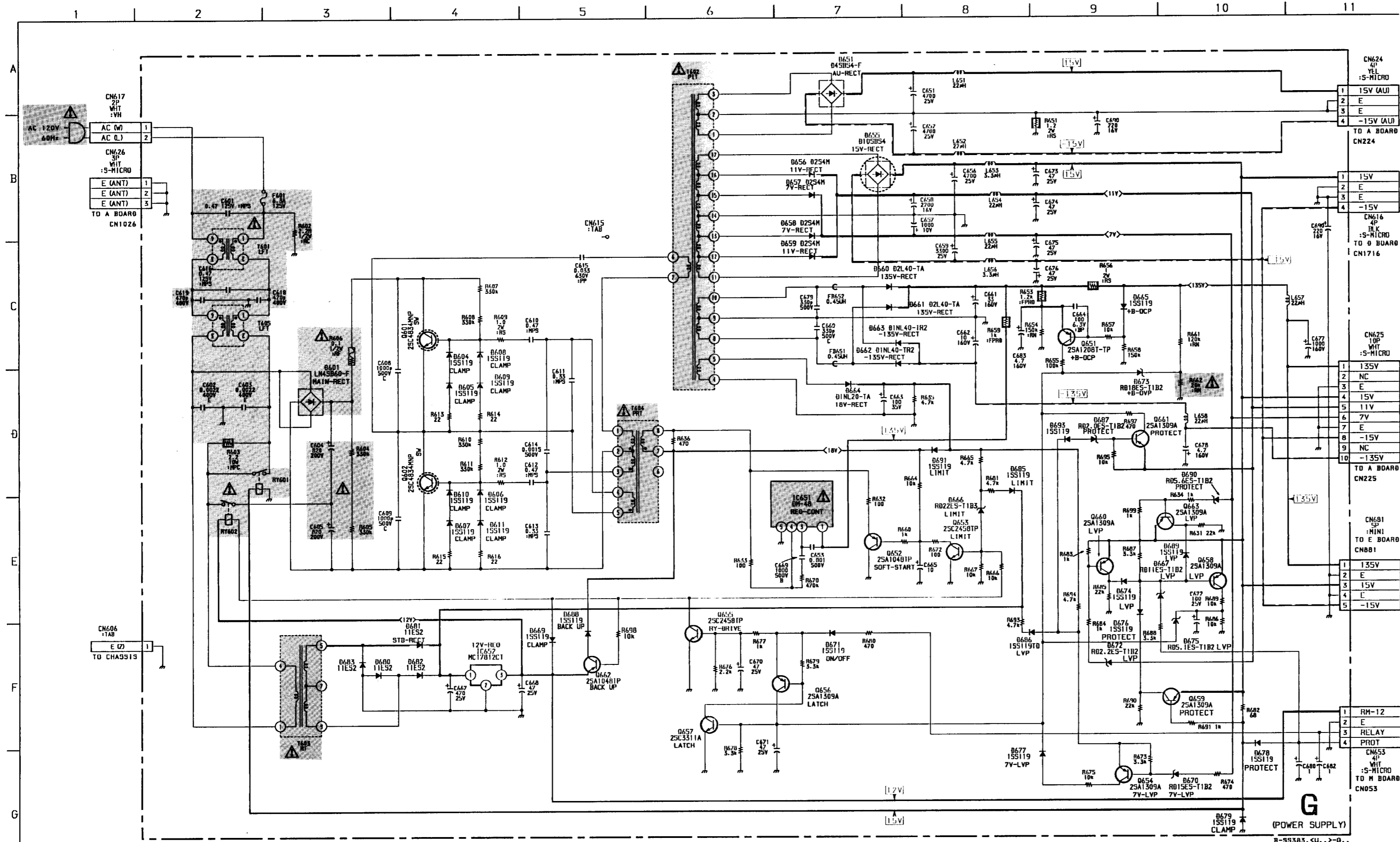


 **NOTE:**
The circuit indicated as left contains high voltage of over 600 Vp-p. Care must be paid to prevent an electric shock in inspection or repairing.

G [POWER SUPPLY]

- G BOARD -





G BOARD IC VOLTAGE LIST ALL VOLTAGES ARE IN V

IC651	1	135.4	3	2.6	4	8.9	5	GND
IC652	1	22.0	2	GND	3	12.0		

G BOARD TRANSISTOR VOLTAGE LIST

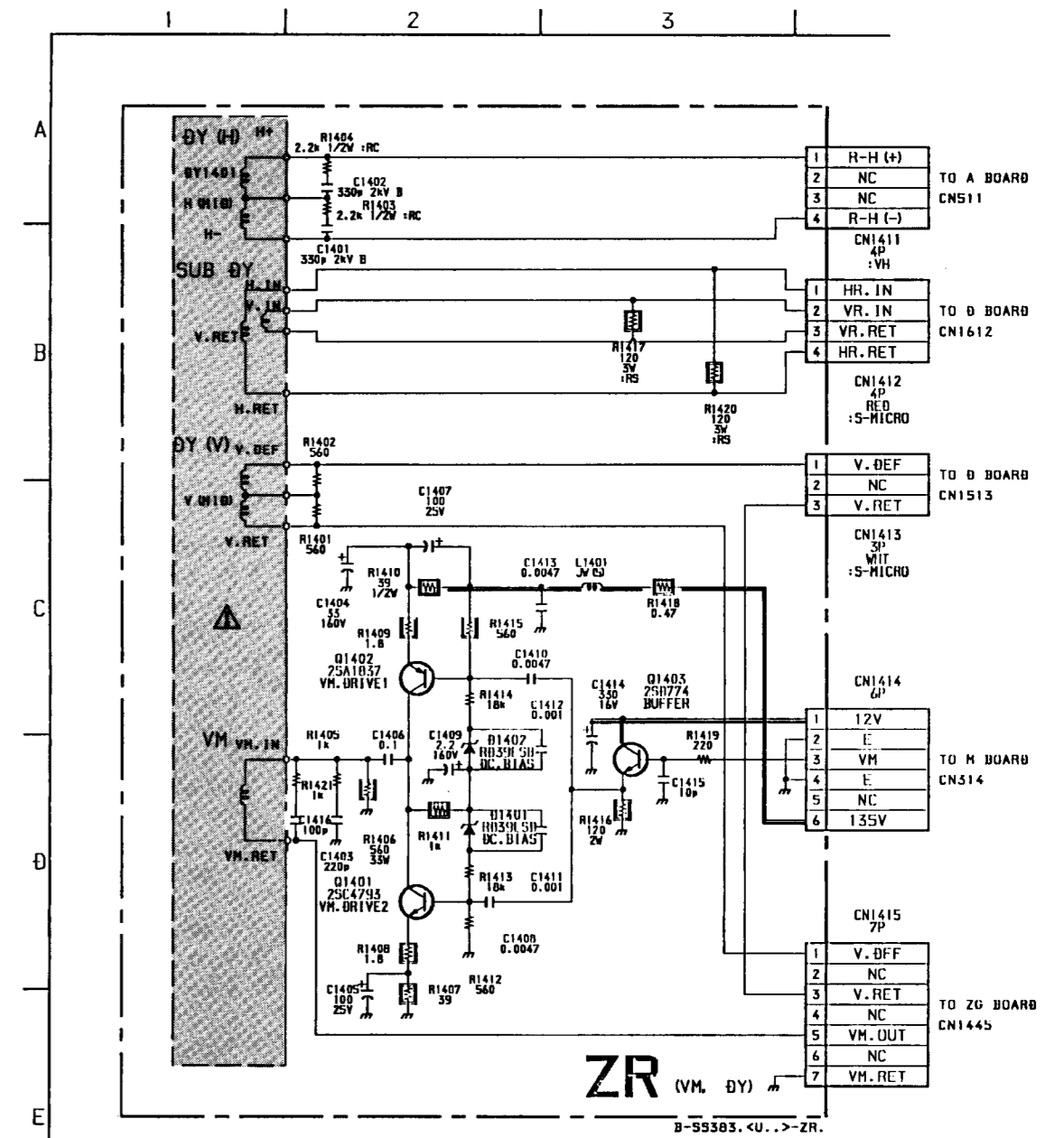
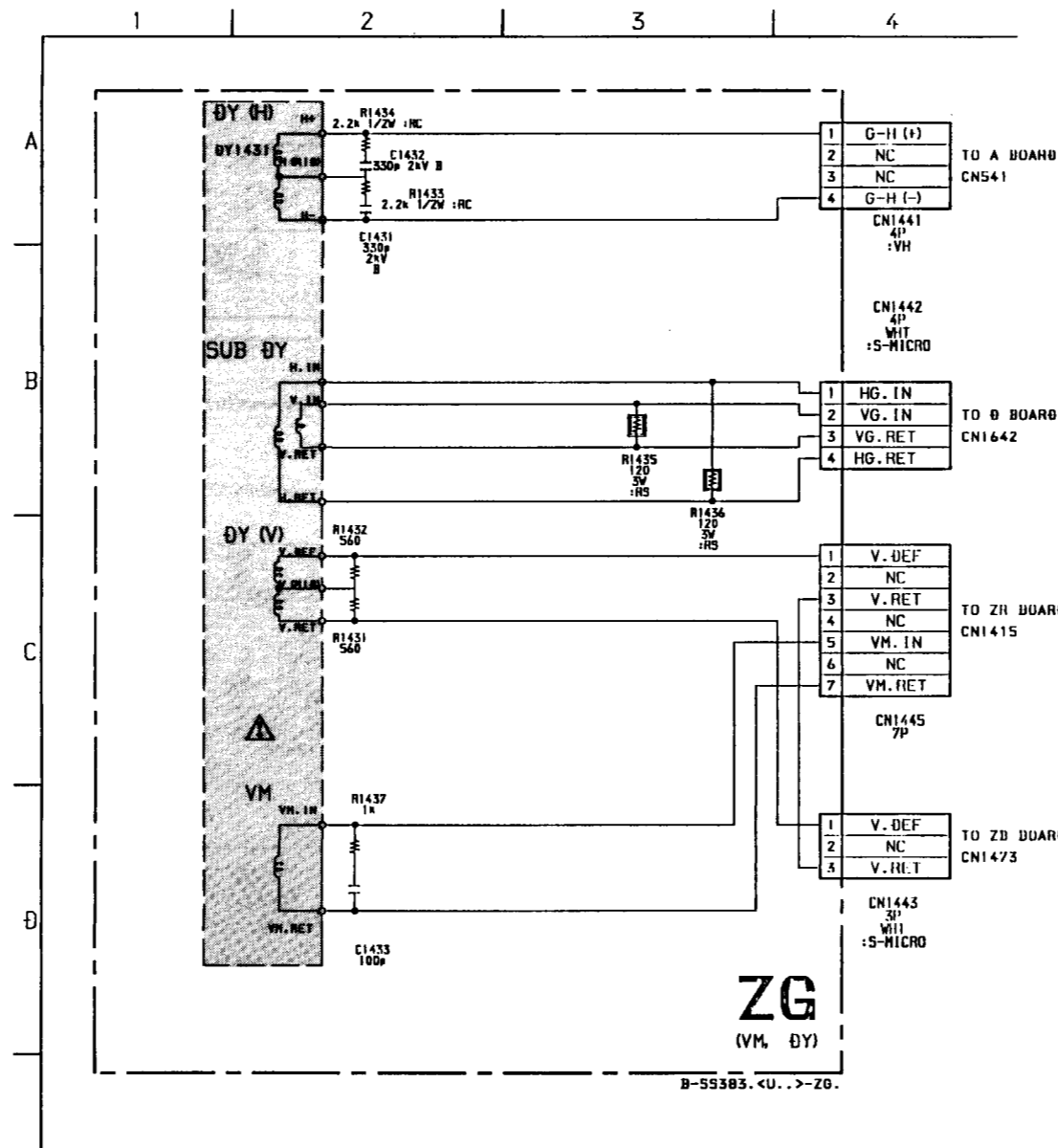
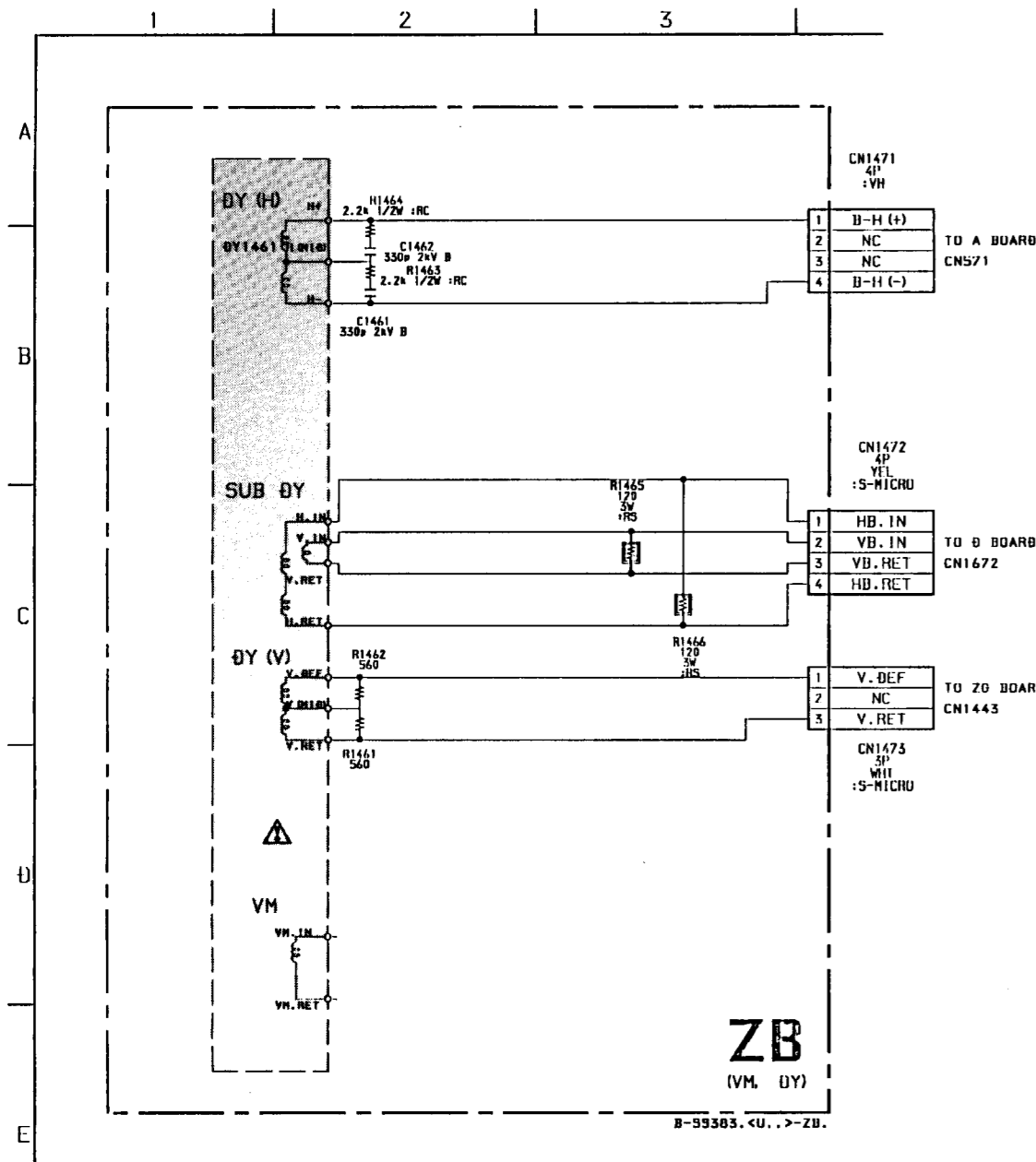
	E	C	D
Q601	-1.8	0	-3.9
Q602	-118.5	-1.8	-120.3
Q651	135.5	0.2	135.4
Q652	13.0	GND	15.1
Q653	GND	15.1	0
Q654	15.7	-2.0	15.7
Q655	GND	0.2	0.8
Q656	2.7	0.2	2.7
Q657	GND	2.7	0.2
Q658	15.0	8.2	14.8
Q659	15.0	15.3	14.6
Q660	15.0	15.3	14.6
Q661	11.0	0.2	11.5
Q662	12.0	12.1	11.4
Q663	15.0	15.3	14.6

Schematic diagrams

← G board

Schematic diagrams

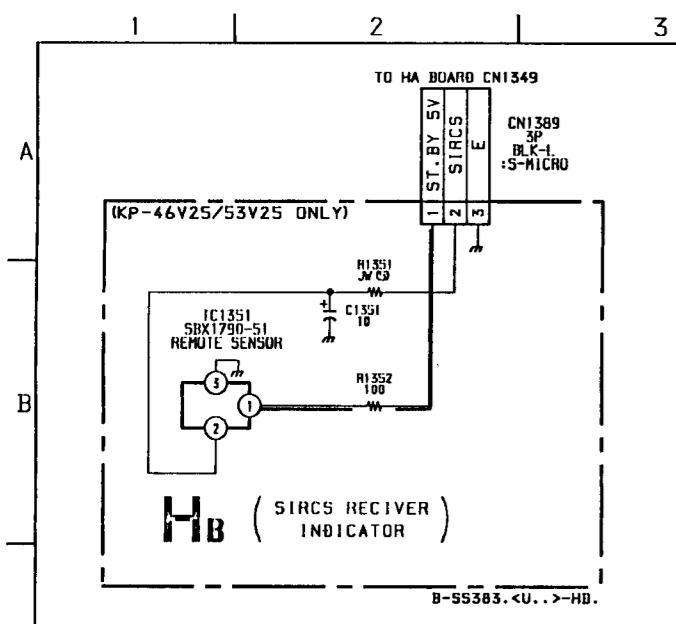
HB ZB ZG ZR boards →

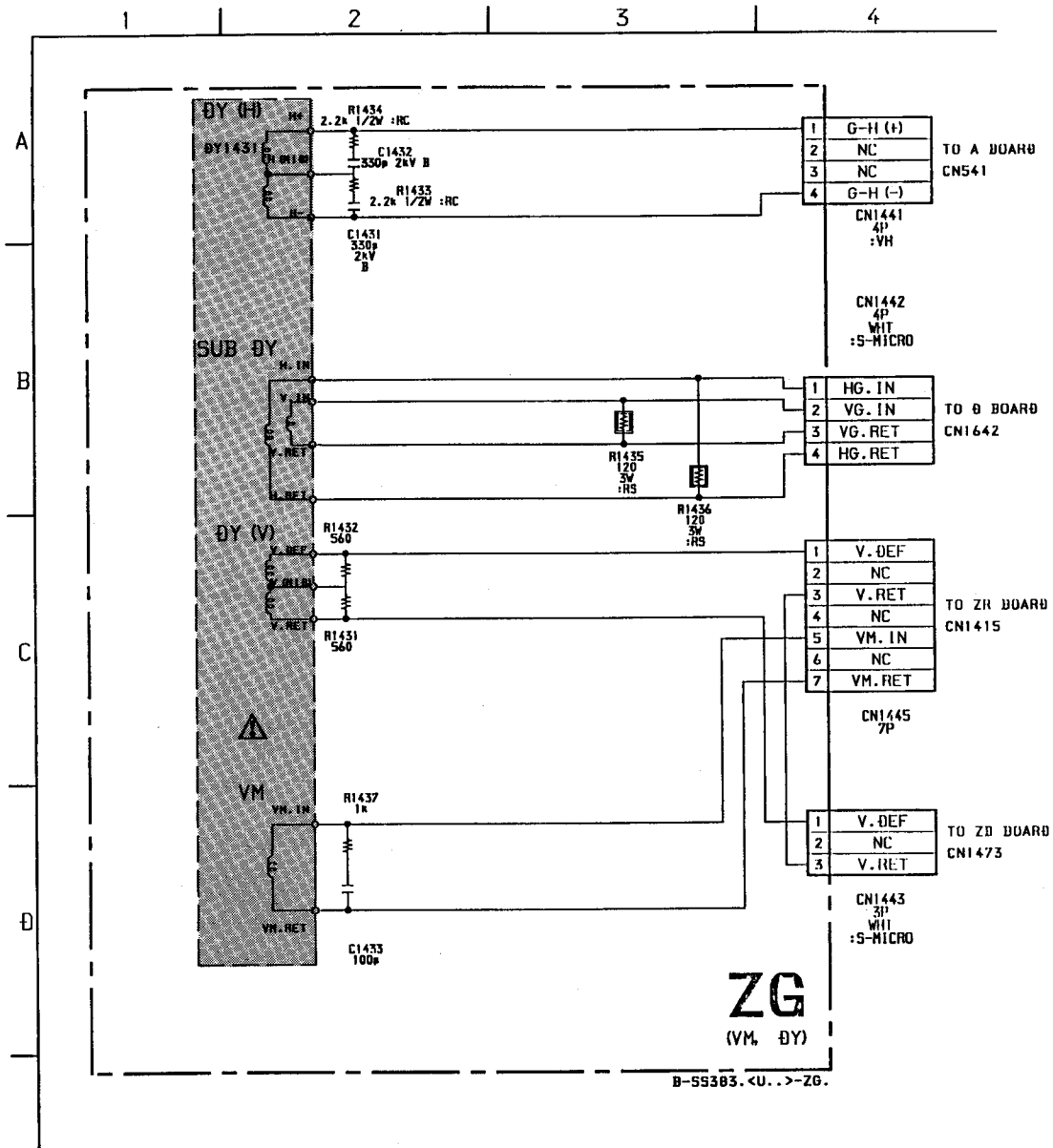


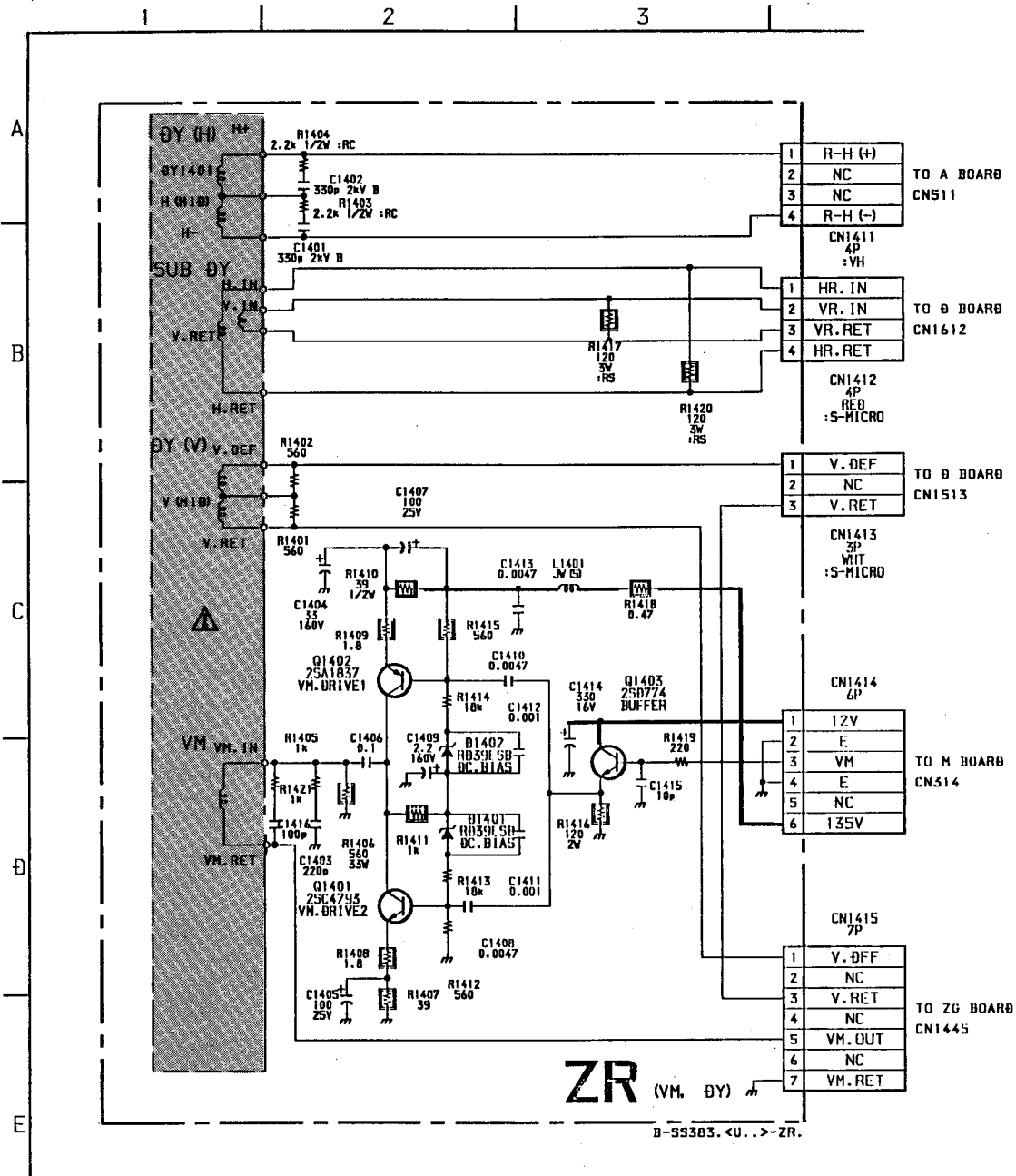
ZR BOARD TRANSISTOR VOLTAGE LIST

	E	C	B
Q1401	0	-0.5	0
Q1402	-1.0	-0.5	-0.9
Q1403	4.8	12.0	5.4

ALL VOLTAGES ARE IN V







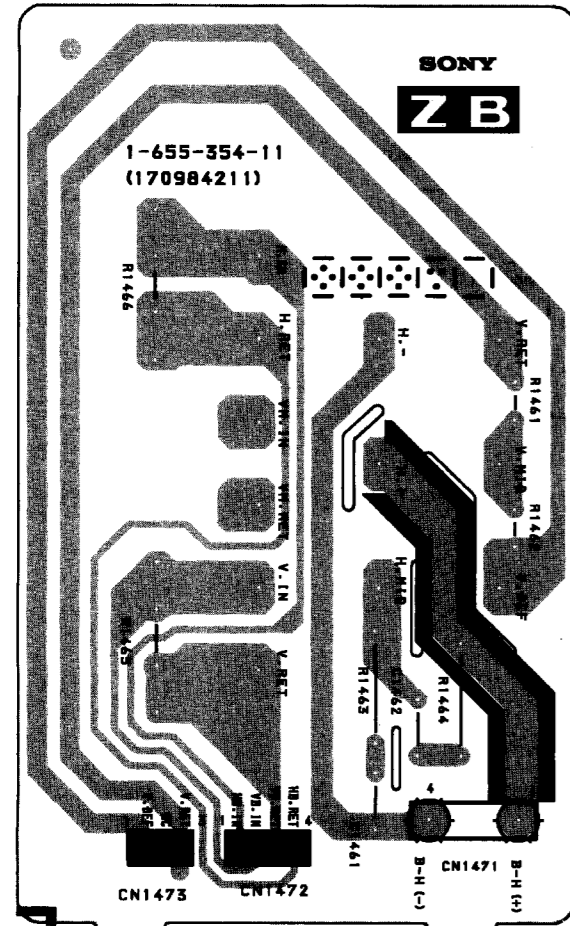
ZR BOARD TRANSISTOR VOLTAGE LIST

	E	C	B
Q1401	0	-0.5	0
Q1402	-1.0	-0.5	-0.9
Q1403	4.8	12.0	5.4

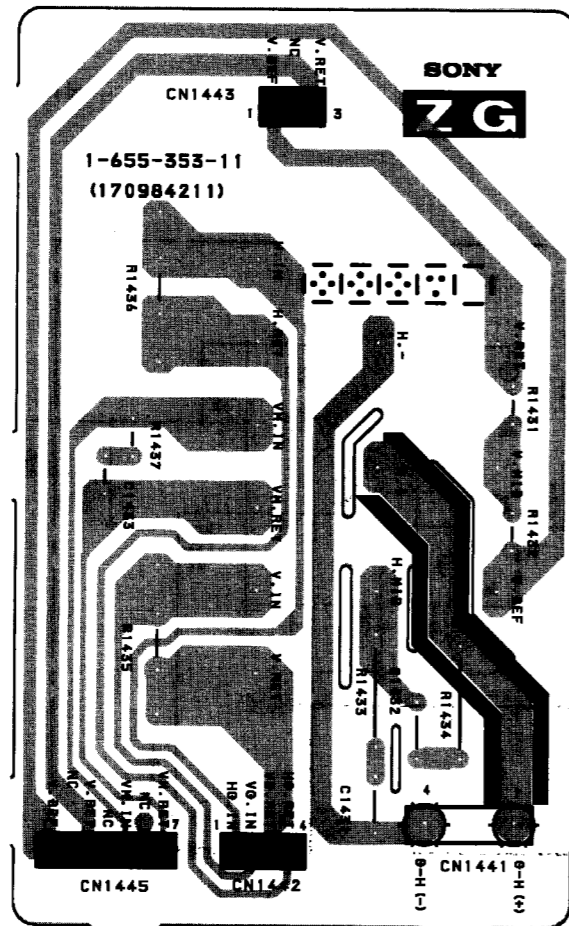
ALL VOLTAGES ARE IN V

ZB [VM, DY] **ZG** [VM, DY] **ZR** [VM, DY] **HB** [SIRCS RECEIVER, INDICATOR]

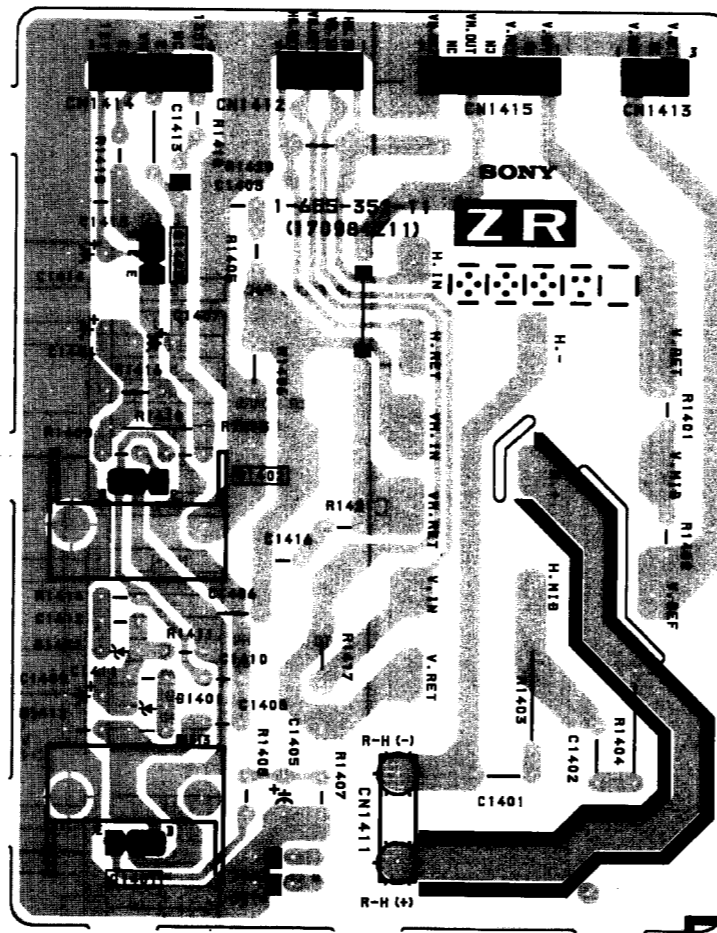
- ZB BOARD -



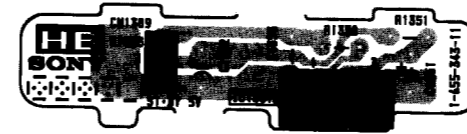
- ZG BOARD -

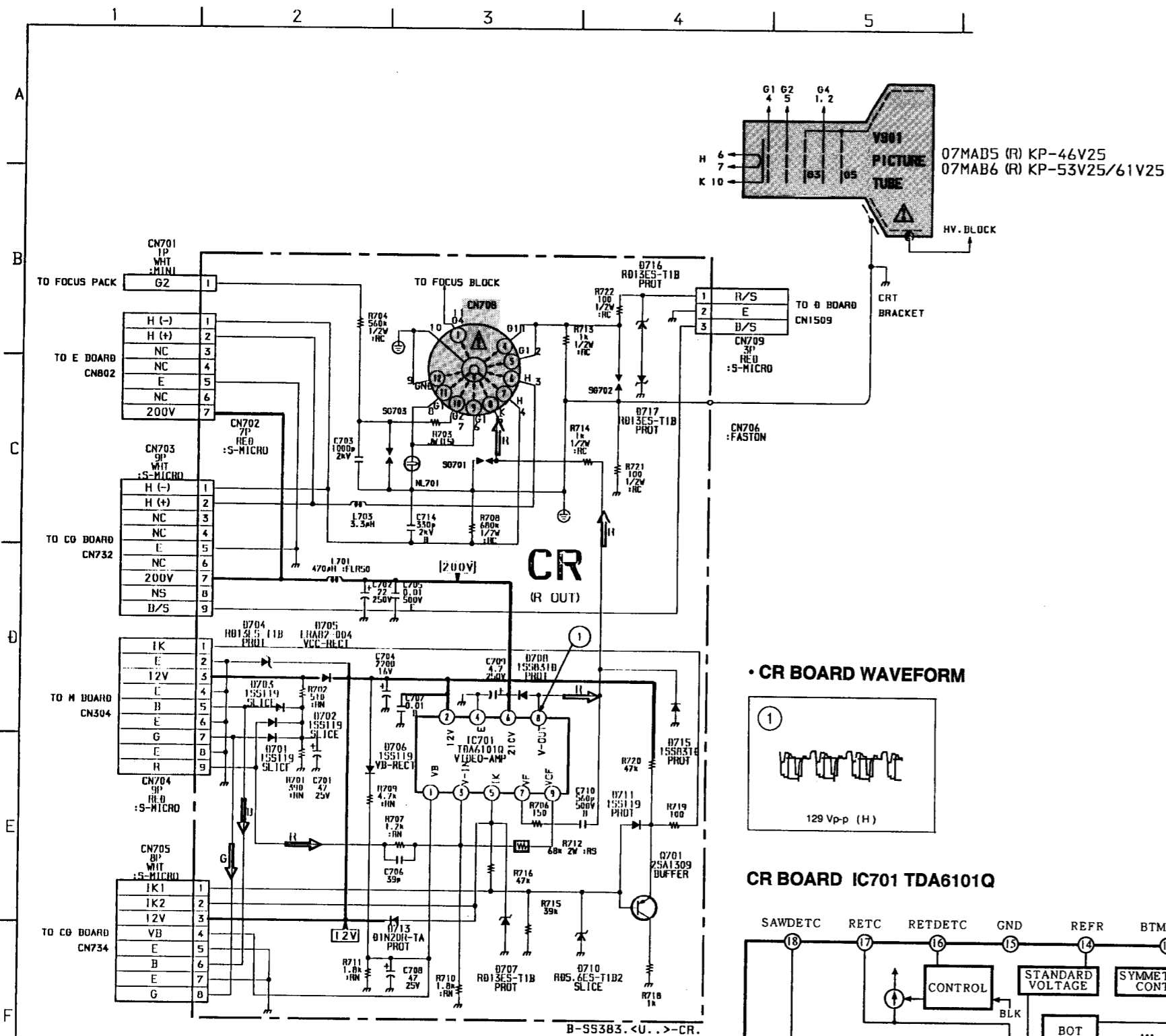


- ZR BOARD -



- HB BOARD - (KP-46V25/53V25 only)





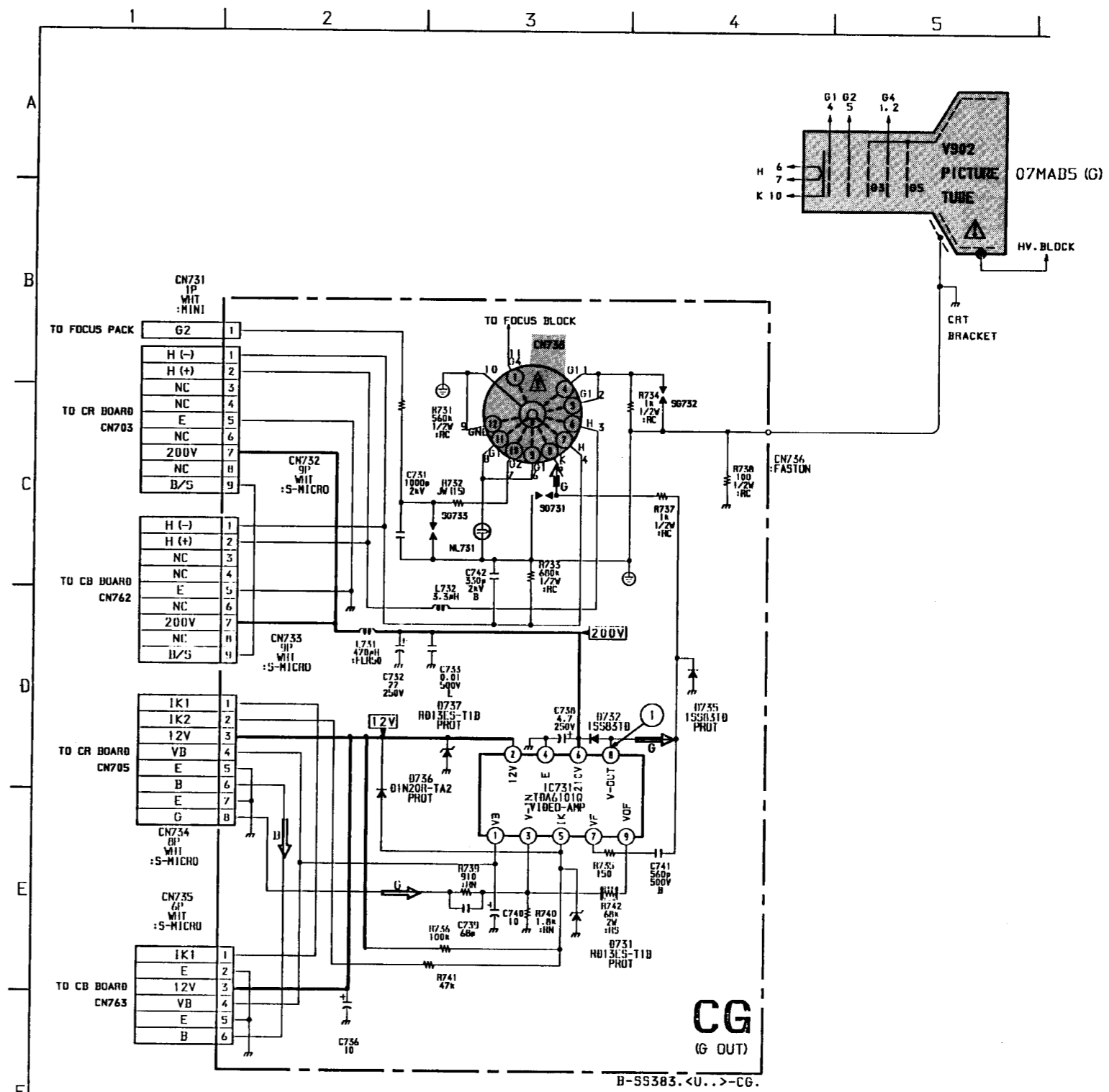
CR BOARD IC VOLTAGE LIST

ALL VOLTAGES ARE IN V

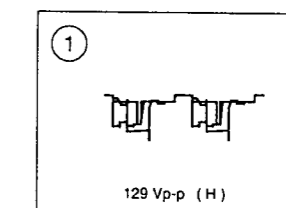
IC701	1 3.2	3 3.0	5 8.2	7 17.15	9 17.01
	2 12.0	4 GND	6 200	8 17.16	

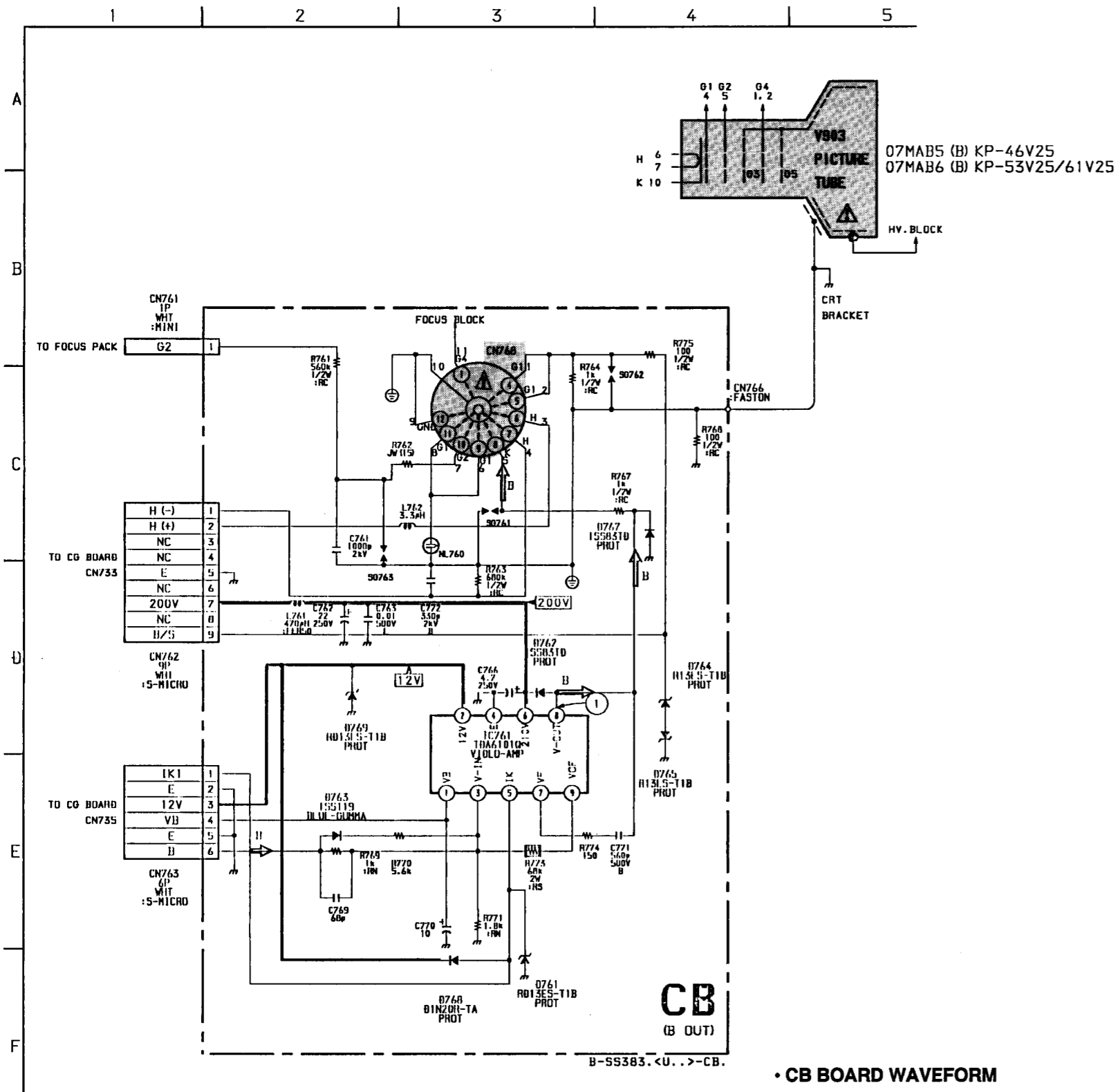
CR BOARD TRANSISTOR VOLTAGE LIST

	E	C	B
Q701	3.3	0.3	3.7



CG BOARD WAVEFORM

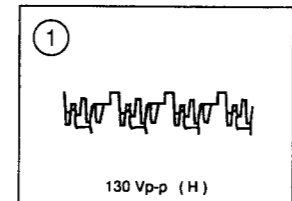




CB BOARD IC VOLTAGE LIST ALL VOLTAGES ARE IN V

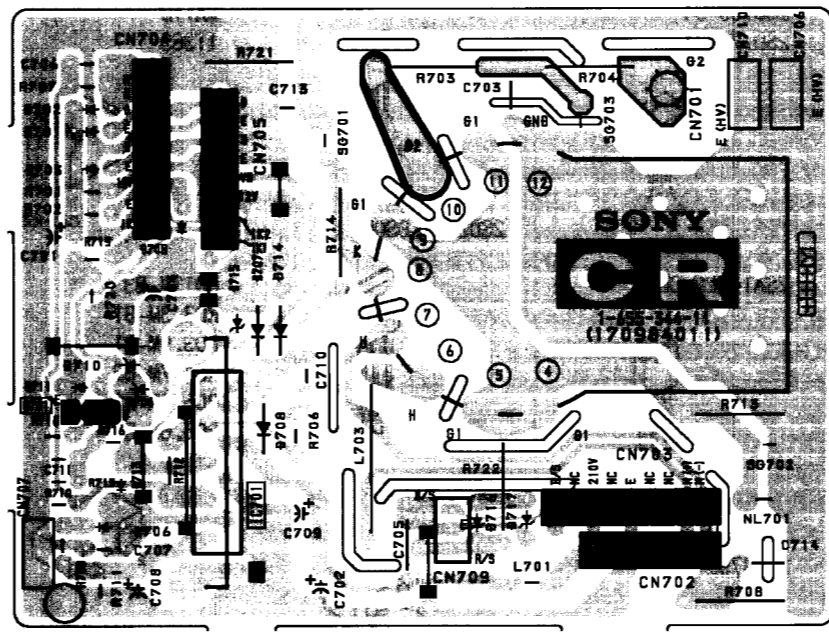
IC761	1 3.1	3 3.0	5 4.3	7 147.2	9 145.9
	2 12.0	4 GND	6 200	8 149.7	

• CB BOARD WAVEFORM

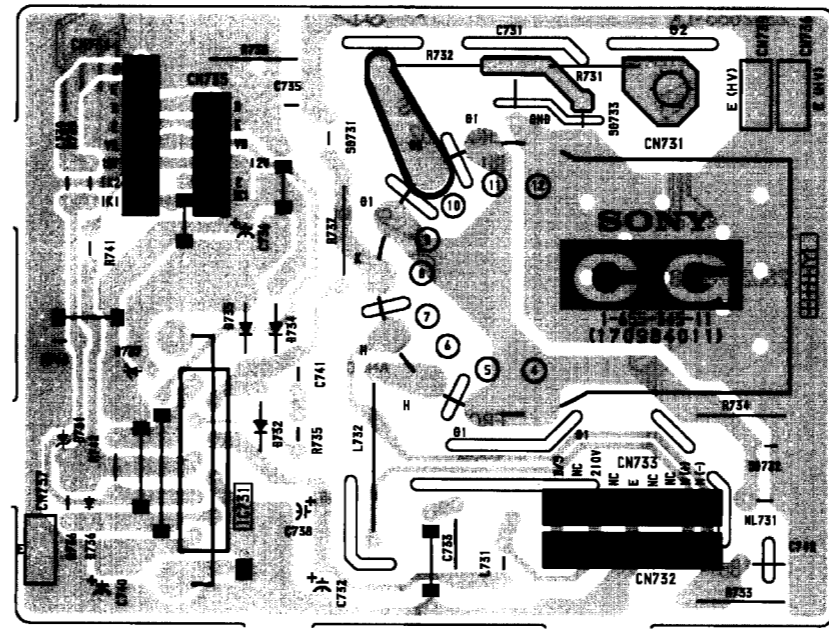


CR [R OUT] **CG** [G OUT] **CB** [B OUT]

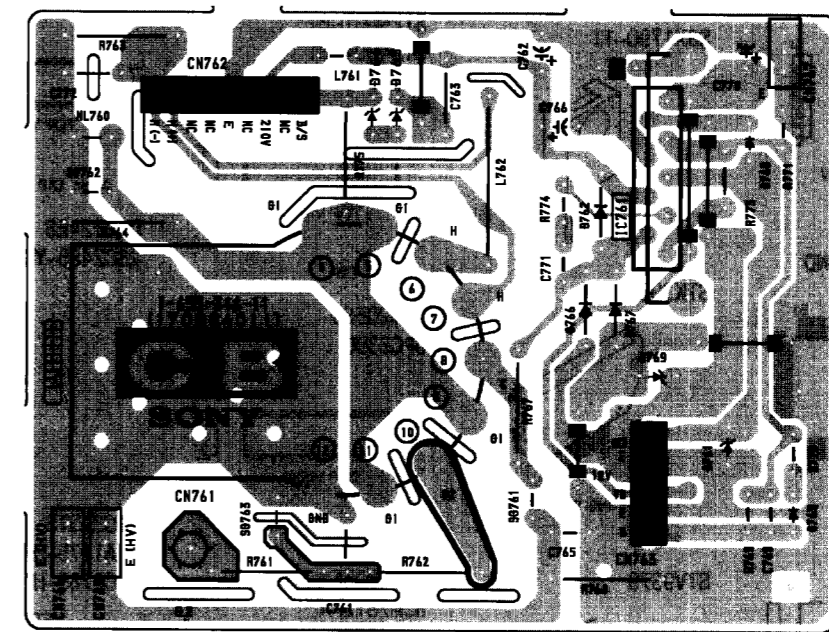
- CR BOARD -



- CG BOARD -



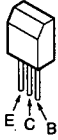
- CB BOARD -



Schematic diagrams

← **CB** board

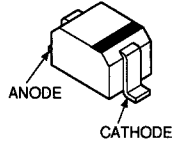
2SA1221-L
2SB733-34
2SD774-34



2SC4834M



HVU359TRF
MA110
1T363

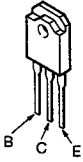


D1N20R
ERA85-009
RD10ESB2
RD11ESB2
RD13ESB2
RD15ESB2
RD18ESB2
RD2.0ESB2
RD2.2ESB2
RD22ESB1
RD22ESB3
RD24ESB
RD3.3ESB2
RD3.6ESB1
RD3.9ESB2
RD33ESB1
RD39ESB2
RD5.1ESB1
RD5.1ESB2
RD5.6ESB1
RD5.6ESB2
RD8.2ESB2
RD9.1ESL
11ES2
1SS119-25

D8LC40



2SA1492M-OPY

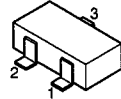
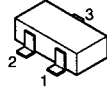


2SD2348LBSOY

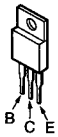


RD13M-B3
RD3.3M-B1
RD3.9M-B1
RD4.7M-B2
RD5.1M-B2
RD5.6M-B2

DAN202K



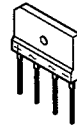
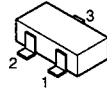
2SA1837
2SC4793



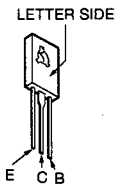
SLR-325VCT31

D10SBS4F
D4SBS-F
LN4SB60

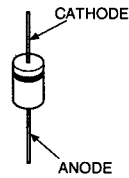
DAP202K



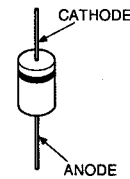
2SB649A-C
2SC2688-LK



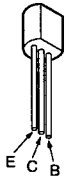
ERC06-15S
ERC91-02
RU-1C



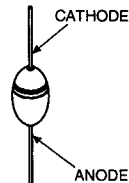
D1NL20
D1NL40-TR2
D2L40-TA
EL1Z
GP08D
RGP02-20EL-6394
1SS83



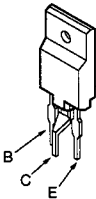
2SC2878-AB



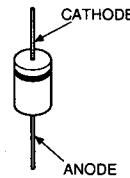
ERC38-06
V09G



2SC4632LS-CB7
2SD1887-CA



D2S4MF



SECTION 5 EXPLODED VIEWS

NOTE:

- Items with no part number and no description are not stocked because they are seldom required for routine service.
- The construction parts of an assembled part are indicated with a collation number in the remark column.

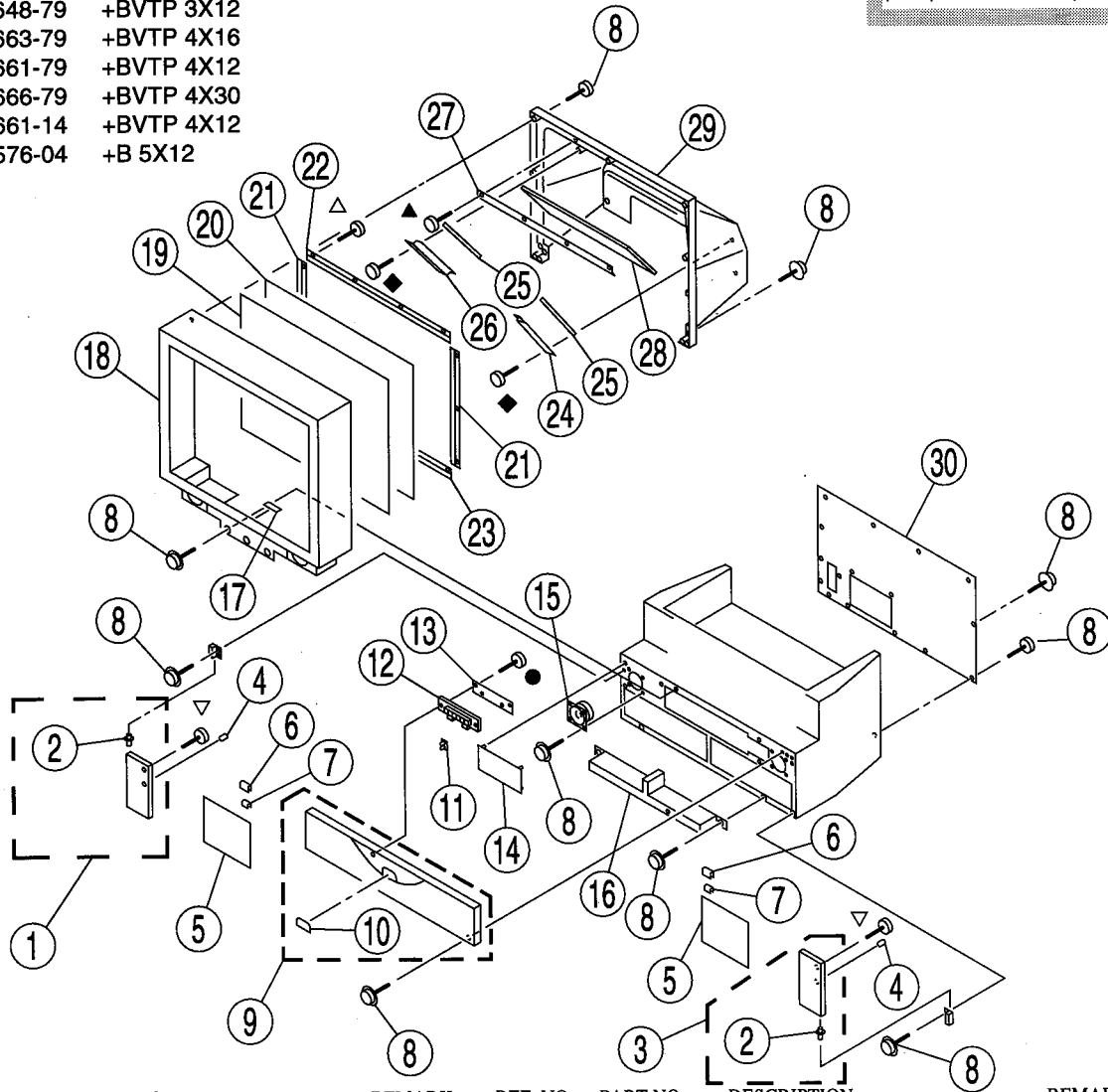
- Items marked " * " are not stocked since they are seldom required for routine service. Some delay should be anticipated when ordering these items.

The components identified by shading and mark \triangle are critical for safety. Replace only with part number specified.

Les composants identifiés par une trame et une marque \triangle sont critiques pour la sécurité. Ne les remplacer que par une pièce portant le numéro spécifié.

5-1. COVER (KP-46V25/53V25)

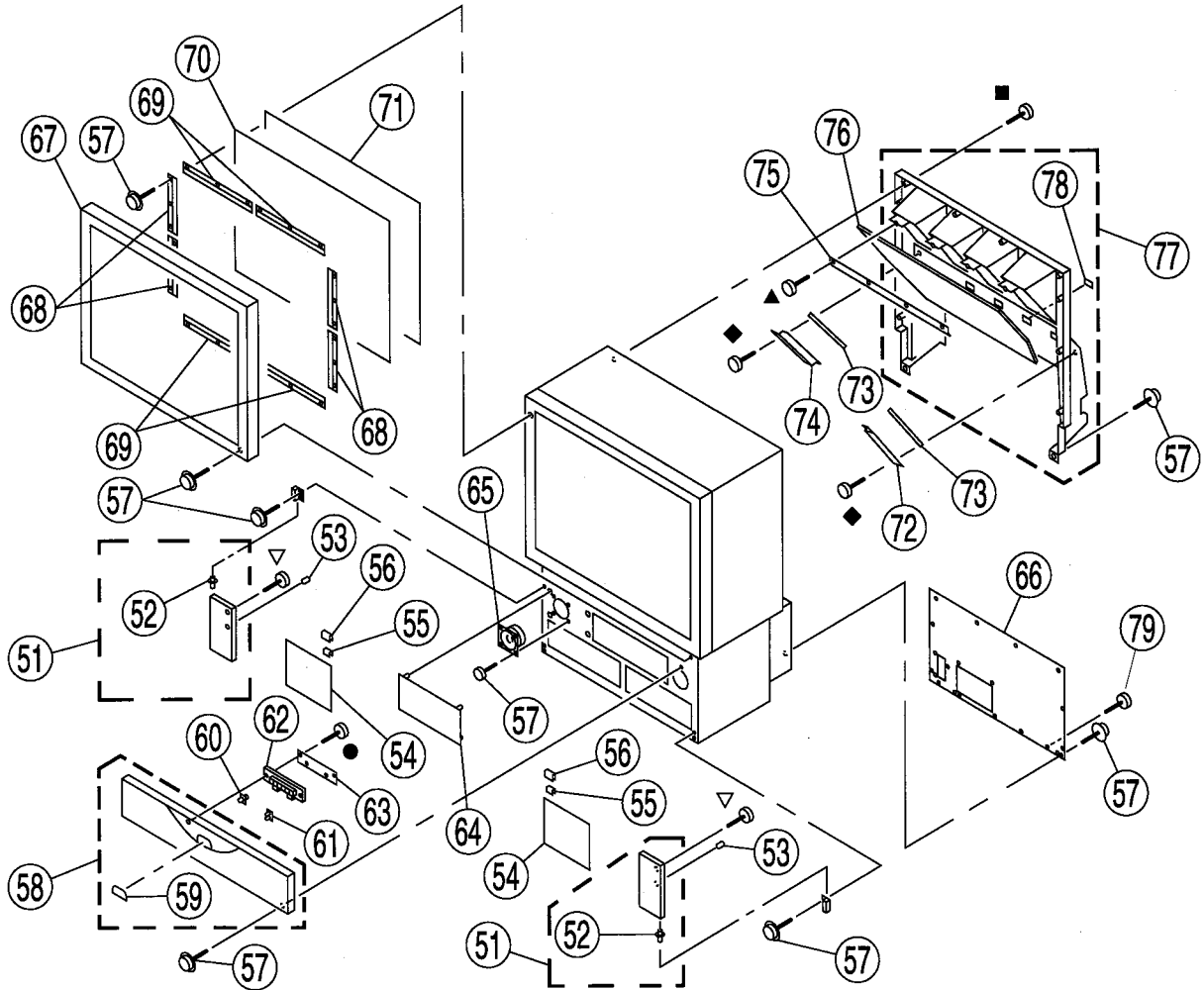
- : 7-685-648-79 +BVTP 3X12
- : 7-685-663-79 +BVTP 4X16
- ▲ : 7-685-661-79 +BVTP 4X12
- ◆ : 7-685-666-79 +BVTP 4X30
- △ : 7-685-661-14 +BVTP 4X12
- ▽ : 7-682-576-04 +B 5X12



REF. NO.	PART NO.	DESCRIPTION	REMARK	REF. NO.	PART NO.	DESCRIPTION	REMARK
1	X-4032-707-1	DOOR (L) ASSY, RACK		2	4-037-360-11	PLATE (L), DIFFUSION	(KP-46V25)
2	4-048-634-01	SHAFT		20	4-048-205-11	PLATE (F), DUFFUSION	(KP-46V25)
3	X-4032-708-1	DOOR (R) ASSY, RACK		2	4-036-469-01	PLATE (F), DIFFUSION	(KP-53V25)
4	4-036-901-01	SCREW	(KP-53V25)	21	* 4-048-152-01	HOLDER (S), SCREEN	(KP-46V25)
5	4-048-790-01	GLASS (53), DOOR			* 4-048-152-11	HOLDER (S), SCREEN	(KP-53V25)
6	4-038-384-01	CATCHER, MAGNET		22	* 4-048-159-01	HOLDER (L), SCREEN	(KP-46V25)
7	4-038-385-01	SPACER			* 4-048-159-11	HOLDER (L), SCREEN	(KP-53V25)
8	4-041-164-11	SCREW (4X20), TAPPING		23	* 4-048-159-21	HOLDER (L), SCREEN	(KP-46V25)
9	X-4032-613-1	PANEL ASSY, CONTROL	10		* 4-048-159-31	HOLDER (L), SCREEN	(KP-53V25)
10	4-048-000-01	DOOR, CONTROL		24	* 4-049-096-01	HOLDER (RIGHT), SIDE	
11	4-047-998-01	GUIDE, LIGHT, LED		25	* 4-049-098-01	CUSHION	
12	4-048-001-01	BUTTON, MULTI		26	* 4-049-097-01	HOLDER (LEFT), SIDE	
13	* A-1372-112-A	HA BOARD, COMPLETE		27	* 4-037-351-01	HOLDER, MIRROR	
14	4-048-335-01	GRILLE, SPEAKER		28	* 4-048-741-01	MIRROR, REFLECTION	
15	1-504-785-11	SPEAKER (10CM)		29	* 4-048-639-01	COVER, MIRROR	(KP-46V25)
16	4-048-247-01	PANEL, FRONT ORNAMENT			* 4-048-640-01	COVER, MIRROR	(KP-53V25)
17	* A-1372-111-A	HB BOARD, COMPLETE		30	* 4-048-794-01	PLATE (46), REAR	(KP-46V25)
18	X-4032-998-1	BEZNET ASSY	(KP-46V25)		* 4-048-793-01	PLATE (53), REAR	(KP-53V25)
	X-4032-999-1	BEZNET ASSY	(KP-53V25)				
19	4-036-466-01	PLATE (L), DIFFUSION	(KP-53V25)				

5-2. COVER (KP-61V25)

- : 7-685-648-79 +BVTP 3X12
- : 7-685-663-79 +BVTP 4X16
- ▲ : 7-685-661-79 +BVTP 4X12
- ◆ : 7-685-666-79 +BVTP 4X30
- ▽ : 7-682-576-04 +B 5X12



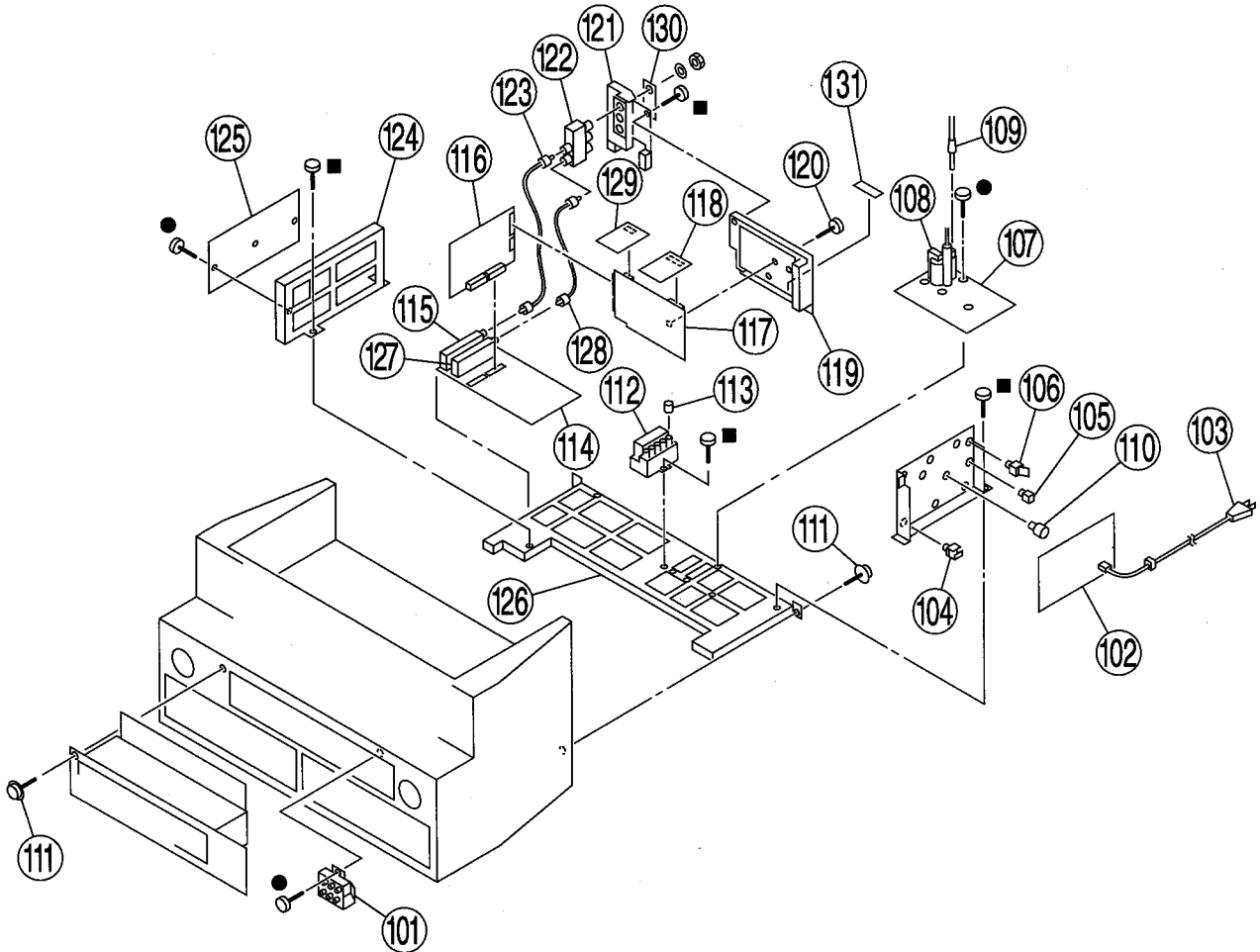
REF. NO.	PART NO.	DESCRIPTION	REMARK	REF. NO.	PART NO.	DESCRIPTION	REMARK
51	X-4032-709-1	DOOR ASSY, RACK		52	65	1-504-785-11	SPEAKER (10CM)
52	4-048-634-01	SHAFT		66	*4-049-034-01	PLATE, REAR	
53	4-036-901-01	SCREW		67	X-4032-762-1	FRAME ASSY, SCREEN	
54	4-048-791-01	GLASS (61), DOOR		68	*4-040-122-01	HOLDER (S), SCREEN	
55	4-038-385-01	SPACER		69	*4-040-120-01	HOLDER (L), SCREEN	
56	4-038-384-01	CATCHER, MAGNET		70	4-040-124-11	PLATE (L), DIFFUSION	
57	4-041-164-11	SCREW (4X20), TAPPING		71	4-040-123-11	PLATE (F), DIFFUSION	
58	X-4032-612-1	PANEL ASSY, CONTROL	59	72	*4-049-096-01	HOLDER (RIGHT), SIDE	
59	4-048-000-01	DOOR, CONTROL		73	*4-049-098-01	CUSHION	
60	4-047-999-01	FILTER, REMOTE		74	*4-049-097-01	HOLDER (LEFT), SIDE	
61	4-047-998-01	GUIDE, LIGHT, LED		75	*4-037-351-01	HOLDER, MIRROR	
62	4-048-001-01	BUTTON, MULTI		76	4-050-128-01	MIRROR (61")	
63	*A-1372-099-A	HA BOARD, COMPLETE		77	*X-4032-620-1	COVER ASSY, MIRROR	
64	4-048-335-01	GRILLE, SPEAKER		78	4-048-150-01	CAP, HOLE	
				79	4-041-164-11	SCREW (4X20), TAPPING	

The components identified by shading and mark **▲** are critical for safety. Replace only with part number specified.

Les composants identifiés par une trame et une marque **▲** sont critiques pour la sécurité. Ne les remplacer que par une pièce portant le numéro spécifié.

5-3. CHASSIS

- : 7-685-648-79 +BVTP 3X12
- : 7-685-663-79 +BVTP 4X16



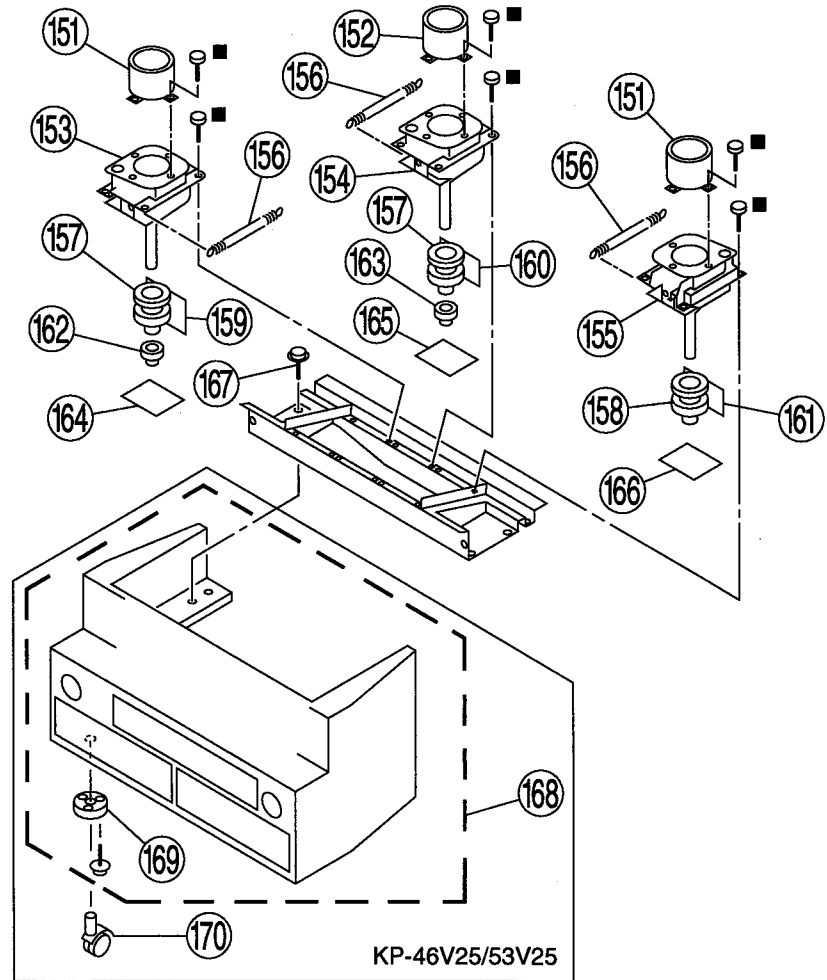
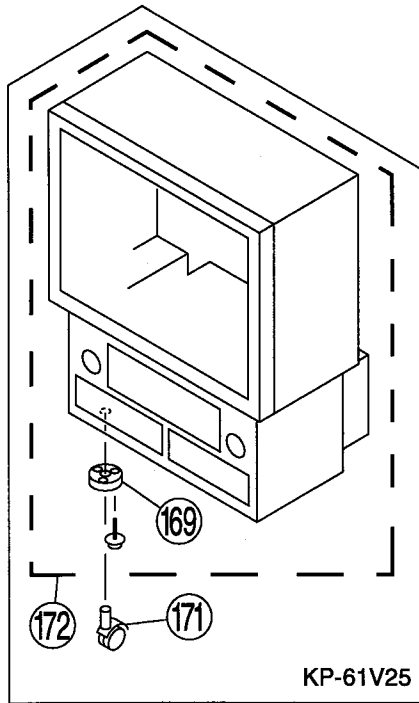
REF. NO.	PART NO.	DESCRIPTION	REMARK	REF. NO.	PART NO.	DESCRIPTION	REMARK
101	▲ 1-223-925-11	RESISTOR ASSY (HIGH-VOLTAGE)		116	* A-1306-497-A	M BOARD, COMPLETE	
102	* A-1316-212-A	G BOARD, COMPLETE		117	* A-1373-514-A	U BOARD, COMPLETE	
103	▲ 1-769-837-11	CORD, POWER(WITH NOISE FILTER)	(7.0A/125V)	118	* A-1195-062-A	P BOARD, COMPLETE	
104	* 3-659-682-11	HOLDER, PC BOARD		119	4-047-951-11	TERMINAL BOARD (A)	
105	* 4-382-848-01	HOLDER, PCB		120	4-041-165-01	SCREW (3X12), TAPPING, +BV	
106	* 3-703-141-00	HOLDER, PCB		121	4-047-952-11	TERMINAL BOARD (B)	
107	* A-1341-885-A	E BOARD, COMPLETE		122	1-417-178-11	SELECTOR, ANTENNA (AS-2)	
108	▲ 1-453-189-11	TRANSFORMER ASSY, FLYBACK (NX-2631/A4S)		123	1-556-945-21	CABLE, P-P	
109	▲ 1-900-211-34	LEAD ASSY, HV		124	* 4-047-950-01	BRACKET, D PC BOARD	
110	* 3-687-542-41	SPACER, PC BOARD SPACE		125	* A-1346-296-A	D BOARD, COMPLETE	
111	4-041-164-11	SCREW (4X20), TAPPING		126	* 4-047-949-01	BRACKET, MAIN PC BOARD	
112	▲ 8-598-955-00	BLOCK ASSY, HIGH-VOLTAGE		127	▲ 8-598-047-11	TUNER, ET (BTF-LA401)	
113	4-373-137-01	CAP (Z), RUBBER		128	* 1-557-056-41	CABLE, P-P	
114	* A-1297-493-A	A BOARD, COMPLETE	(KP-46V25/53V25)	129	8-741-797-01	FILTER, DIGITAL COM SBX1797-01	
	* A-1297-606-A	A BOARD, COMPLETE	(KP-61V25)	130	4-047-937-01	LABEL (B), TERMINAL	
115	▲ 8-598-254-00	TUNER (BTF-WA402)		131	4-049-665-01	LABEL, IN/OUT	

5-4. PICTURE TUBE

■ : 7-685-663-79 +BVTP 4X16

The components identified by shading and mark Δ are critical for safety. Replace only with part number specified.

Les composants identifiés par une trame et une marque Δ sont critiques pour la sécurité. Ne les remplacer que par une pièce portant le numéro spécifié.



REF. NO.	PART NO.	DESCRIPTION	REMARK	REF. NO.	PART NO.	DESCRIPTION	REMARK
151	4-034-057-01	LENS (LINNIT)	(KP-46V25/53V25)	161	* A-1390-491-A	ZB BOARD, COMPLETE	
	4-040-131-01	LENS (LINNIT POINT 6)	(KP-61V25)	162	Δ 1-452-790-21	NECK ASSY	
152	4-034-057-11	LENS (LINNIT)	(KP-46V25/53V25)	163	Δ 1-452-790-11	NECK ASSY	
	4-040-131-11	LENS (LINNIT POINT 6)	(KP-61V25)	164	* A-1331-408-A	CR BOARD, COMPLETE	
153	Δ 8-736-080-05	PICTURE TUBE 07MAB5(R)	(KP-46V25)	165	* A-1331-409-A	CG BOARD, COMPLETE	
	Δ 8-736-082-05	PICTURE TUBE 07MAB6(R)	(KP-53V25/61V25)	166	* A-1331-410-A	CB BOARD, COMPLETE	
154	Δ 8-736-078-05	PICTURE TUBE 07MAB5(G)	(KP-46V25)	167	4-041-164-11	SCREW (4X20), TAPPING	
155	Δ 8-736-079-05	PICTURE TUBE 07MAB5(B)	(KP-46V25)	168	* X-4032-691-1	CABINET ASSY, BOTTOM	(KP-53V25) 169
	Δ 8-736-081-05	PICTURE TUBE 07MAB6(B)	(KP-53V25/61V25)		* X-4032-692-1	CABINET ASSY, BOTTOM	(KP-46V25) 169
156	4-048-142-01	SPRING, TENSION		169	4-030-850-01	SOCKET, CASTER	
157	Δ 8-451-463-11	DEFLECTION YOKE (Y829PA2N) (R), (G)		170	4-049-006-01	CASTER	(KP-46V25/53V25)
158	Δ 8-451-463-21	DEFLECTION YOKE (Y829PA2N2) (B)		171	4-040-508-01	CASTER	(KP-61V25)
159	* A-1390-487-A	ZR BOARD, COMPLETE		172	* X-4032-761-1	CABINET ASSY	(KP-61V25) 169
160	* A-1390-489-A	ZG BOARD, COMPLETE					

SECTION 6 ELECTRICAL PARTS LIST



NOTE:

Les composants identifiés par une trame et une marque Δ sont critiques pour la sécurité. Ne les remplacer que par une pièce portant le numéro spécifié.

The components identified by shading and mark Δ are critical for safety. Replace only with part number specified.

- The components identified by Δ in this manual have been carefully factory-selected for each set in order to satisfy regulations regarding X-ray radiation. Should replacement be required, replace only with the value originally used.
- Items marked " * " are not stocked since they are seldom required for routine service. Some delay should be anticipated when ordering these items.
- All variable and adjustable resistors have characteristic curve B, unless otherwise noted.

When indicating parts by reference number, please include the board name.

- CAPACITORS
PF : μ F
- There are some cases the reference number on one board overlaps on the other board. Therefore, when ordering parts by the reference number, please include the board name.

- RESISTORS**
- All resistors are in ohms
 - F : nonflammable

REF. NO.	PART NO.	DESCRIPTION	REMARK	REF. NO.	PART NO.	DESCRIPTION	REMARK
* A-1195-062-A P BOARD, COMPLETE *****							
<CAPACITOR>							
C3201	1-126-967-11	ELECT 47 μ F	20% 16V	C3250	1-163-113-00	CERAMIC CHIP 68PF	5% 50V
C3203	1-164-004-11	CERAMIC CHIP 0.1 μ F	10% 25V	C3251	1-164-232-11	CERAMIC CHIP 0.01 μ F	10% 50V
C3204	1-126-964-11	ELECT 10 μ F	20% 50V	C3252	1-163-103-00	CERAMIC CHIP 27PF	5% 50V
C3205	1-126-964-11	ELECT 10 μ F	20% 50V	C3253	1-163-101-00	CERAMIC CHIP 22PF	5% 50V
C3206	1-126-964-11	ELECT 10 μ F	20% 50V	C3254	1-163-141-00	CERAMIC CHIP 0.001 μ F	5% 50V
C3207	1-163-117-00	CERAMIC CHIP 100PF	5% 50V	C3255	1-163-101-00	CERAMIC CHIP 22PF	5% 50V
C3208	1-163-117-00	CERAMIC CHIP 100PF	5% 50V	C3256	1-164-232-11	CERAMIC CHIP 0.01 μ F	10% 50V
C3209	1-126-111-11	ELECT 3.3 μ F	20% 50V	C3257	1-163-117-00	CERAMIC CHIP 100PF	5% 50V
C3210	1-126-967-11	ELECT 47 μ F	20% 16V	C3258	1-163-113-00	CERAMIC CHIP 68PF	5% 50V
C3212	1-126-111-11	ELECT 3.3 μ F	20% 50V	C3259	1-163-111-00	CERAMIC CHIP 56PF	5% 50V
C3213	1-164-346-11	CERAMIC CHIP 1 μ F	16V	C3260	1-163-119-00	CERAMIC CHIP 120PF	5% 50V
C3214	1-164-346-11	CERAMIC CHIP 1 μ F	16V	C3261	1-163-141-00	CERAMIC CHIP 0.001 μ F	5% 50V
C3215	1-164-346-11	CERAMIC CHIP 1 μ F	16V	C3263	1-163-141-00	CERAMIC CHIP 0.001 μ F	5% 50V
C3216	1-164-005-11	CERAMIC CHIP 0.47 μ F	25V	C3264	1-165-319-11	CERAMIC CHIP 0.1 μ F	50V
C3217	1-164-346-11	CERAMIC CHIP 1 μ F	16V	C3265	1-163-141-00	CERAMIC CHIP 0.001 μ F	5% 50V
C3218	1-164-346-11	CERAMIC CHIP 1 μ F	16V	C3266	1-163-141-00	CERAMIC CHIP 0.001 μ F	5% 50V
C3219	1-126-935-11	ELECT 470 μ F	20% 16V	C3267	1-163-141-00	CERAMIC CHIP 0.001 μ F	5% 50V
C3220	1-164-346-11	CERAMIC CHIP 1 μ F	16V	C3268	1-163-141-00	CERAMIC CHIP 0.001 μ F	5% 50V
C3221	1-164-346-11	CERAMIC CHIP 1 μ F	16V	C3269	1-163-141-00	CERAMIC CHIP 0.001 μ F	5% 50V
C3222	1-164-336-11	CERAMIC CHIP 0.33 μ F	25V	C3270	1-165-319-11	CERAMIC CHIP 0.1 μ F	50V
C3223	1-164-336-11	CERAMIC CHIP 0.33 μ F	25V	C3271	1-165-319-11	CERAMIC CHIP 0.1 μ F	50V
C3224	1-164-222-11	CERAMIC CHIP 0.22 μ F	25V	C3272	1-165-319-11	CERAMIC CHIP 0.1 μ F	50V
C3225	1-164-222-11	CERAMIC CHIP 0.22 μ F	25V	C3273	1-163-109-00	CERAMIC CHIP 47PF	5% 50V
C3226	1-164-005-11	CERAMIC CHIP 0.47 μ F	25V	C3274	1-163-101-00	CERAMIC CHIP 22PF	5% 50V
C3227	1-164-346-11	CERAMIC CHIP 1 μ F	16V	C3275	1-163-101-00	CERAMIC CHIP 22PF	5% 50V
C3228	1-163-117-00	CERAMIC CHIP 100PF	5% 50V	C3276	1-163-111-00	CERAMIC CHIP 56PF	5% 50V
C3229	1-163-093-00	CERAMIC CHIP 10PF	5% 50V	C3277	1-163-101-00	CERAMIC CHIP 22PF	5% 50V
C3230	1-163-141-00	CERAMIC CHIP 0.001 μ F	5% 50V	C3278	1-163-101-00	CERAMIC CHIP 22PF	5% 50V
C3231	1-163-125-00	CERAMIC CHIP 220PF	5% 50V	C3279	1-163-141-00	CERAMIC CHIP 0.001 μ F	5% 50V
C3232	1-163-117-00	CERAMIC CHIP 100PF	5% 50V	C3280	1-126-964-11	ELECT 10 μ F	20% 50V
C3233	1-164-232-11	CERAMIC CHIP 0.01 μ F	10% 50V	C3282	1-164-346-11	CERAMIC CHIP 1 μ F	16V
C3234	1-164-232-11	CERAMIC CHIP 0.01 μ F	10% 50V	<CONNECTOR>			
C3235	1-164-232-11	CERAMIC CHIP 0.01 μ F	10% 50V	CN150	1-573-297-21	CONNECTOR, BOARD TO BOARD 18P	
C3236	1-164-232-11	CERAMIC CHIP 0.01 μ F	10% 50V	<DIODE>			
C3237	1-164-232-11	CERAMIC CHIP 0.01 μ F	10% 50V	D3202	8-719-031-68	DIODE HVU359TRF	
C3238	1-163-101-00	CERAMIC CHIP 22PF	5% 50V	D3203	8-719-404-46	DIODE MA110	
C3239	1-163-141-00	CERAMIC CHIP 0.001 μ F	5% 50V	D3208	8-719-110-17	DIODE RD10ESB2	
C3240	1-163-101-00	CERAMIC CHIP 22PF	5% 50V	D3209	8-719-110-17	DIODE RD10ESB2	
C3241	1-163-103-00	CERAMIC CHIP 27PF	5% 50V	<IC>			
C3242	1-164-232-11	CERAMIC CHIP 0.01 μ F	10% 50V	IC3200	8-759-288-13	IC MSM51C262-ZS	
C3243	1-163-117-00	CERAMIC CHIP 100PF	5% 50V	IC3201	8-759-093-29	IC MB86144BPF-G-BND	
C3244	1-163-113-00	CERAMIC CHIP 68PF	5% 50V	IC3202	8-759-093-28	IC MB40176PF-G-BND-EF	
C3245	1-164-232-11	CERAMIC CHIP 0.01 μ F	10% 50V	IC3203	8-759-093-28	IC MB40176PF-G-BND-EF	
C3246	1-164-232-11	CERAMIC CHIP 0.01 μ F	10% 50V	IC3204	8-759-093-25	IC MB3512PFQ	
C3247	1-163-033-91	CERAMIC CHIP 0.022 μ F	50V	IC3205	8-759-243-19	IC TC7SU04F	
C3248	1-163-125-00	CERAMIC CHIP 220PF	5% 50V	<COIL>			
C3249	1-163-117-00	CERAMIC CHIP 100PF	5% 50V				



REF. NO.	PART NO.	DESCRIPTION	REMARK
L3201	1-410-470-11	INDUCTOR 10μH	
L3202	1-408-424-00	INDUCTOR 180μH	
L3203	1-408-424-00	INDUCTOR 180μH	
L3204	1-410-476-11	INDUCTOR 33μH	
L3205	1-410-470-11	INDUCTOR 10μH	
L3206	1-410-387-11	INDUCTOR 33μH	
L3207	1-410-387-11	INDUCTOR 33μH	
L3208	1-410-387-11	INDUCTOR 33μH	
L3209	1-410-387-11	INDUCTOR 33μH	
<TRANSISTOR>			
Q3201	8-729-216-22	TRANSISTOR 2SA1162-G	
Q3202	8-729-422-27	TRANSISTOR 2SD601A-Q	
Q3203	8-729-216-22	TRANSISTOR 2SA1162-G	
Q3204	8-729-216-22	TRANSISTOR 2SA1162-G	
Q3206	8-729-422-27	TRANSISTOR 2SD601A-Q	
Q3207	8-729-216-22	TRANSISTOR 2SA1162-G	
Q3208	8-729-422-27	TRANSISTOR 2SD601A-Q	
Q3209	8-729-216-22	TRANSISTOR 2SA1162-G	
Q3210	8-729-216-22	TRANSISTOR 2SA1162-G	
<RESISTOR>			
R3201	1-216-097-91	METAL GLAZE 100K	5% 1/10W
R3202	1-216-073-00	METAL GLAZE 10K	5% 1/10W
R3203	1-216-025-91	METAL GLAZE 100	5% 1/10W
R3204	1-216-025-91	METAL GLAZE 100	5% 1/10W
R3205	1-216-121-91	METAL GLAZE 1M	5% 1/10W
R3207	1-216-295-91	CONDUCTOR, CHIP	
R3208	1-216-097-91	METAL GLAZE 100K	5% 1/10W
R3209	1-216-079-00	METAL GLAZE 18K	5% 1/10W
R3210	1-216-089-91	METAL GLAZE 47K	5% 1/10W
R3211	1-216-073-00	METAL GLAZE 10K	5% 1/10W
R3212	1-216-073-00	METAL GLAZE 10K	5% 1/10W
R3213	1-216-075-00	METAL GLAZE 12K	5% 1/10W
R3214	1-216-121-91	METAL GLAZE 1M	5% 1/10W
R3215	1-216-057-00	METAL GLAZE 2.2K	5% 1/10W
R3216	1-216-057-00	METAL GLAZE 2.2K	5% 1/10W
R3217	1-216-057-00	METAL GLAZE 2.2K	5% 1/10W
R3218	1-216-049-91	METAL GLAZE 1K	5% 1/10W
R3219	1-216-049-91	METAL GLAZE 1K	5% 1/10W
R3220	1-216-049-91	METAL GLAZE 1K	5% 1/10W
R3221	1-216-655-11	METAL CHIP 1.5K	0.50% 1/10W
R3222	1-216-655-11	METAL CHIP 1.5K	0.50% 1/10W
R3223	1-216-025-91	METAL GLAZE 100	5% 1/10W
R3224	1-216-049-91	METAL GLAZE 1K	5% 1/10W
R3225	1-216-025-91	METAL GLAZE 100	5% 1/10W
R3226	1-216-085-00	METAL GLAZE 33K	5% 1/10W
R3227	1-216-647-11	METAL CHIP 680	0.50% 1/10W
R3228	1-216-045-00	METAL GLAZE 680	5% 1/10W
R3229	1-216-073-00	METAL GLAZE 10K	5% 1/10W
R3230	1-216-073-00	METAL GLAZE 10K	5% 1/10W
R3231	1-216-001-00	METAL GLAZE 10	5% 1/10W
R3232	1-216-083-00	METAL GLAZE 27K	5% 1/10W
R3233	1-216-049-91	METAL GLAZE 1K	5% 1/10W
R3234	1-216-651-11	METAL CHIP 1K	0.50% 1/10W
R3235	1-216-043-91	METAL GLAZE 560	5% 1/10W
R3236	1-216-065-00	METAL GLAZE 4.7K	5% 1/10W
R3237	1-216-043-91	METAL GLAZE 560	5% 1/10W
R3238	1-216-049-91	METAL GLAZE 1K	5% 1/10W
R3239	1-216-043-91	METAL GLAZE 560	5% 1/10W
R3241	1-216-057-00	METAL GLAZE 2.2K	5% 1/10W
R3242	1-216-049-91	METAL GLAZE 1K	5% 1/10W
R3243	1-216-025-91	METAL GLAZE 100	5% 1/10W
R3244	1-216-025-91	METAL GLAZE 100	5% 1/10W
R3245	1-216-025-91	METAL GLAZE 100	5% 1/10W
R3246	1-216-069-00	METAL GLAZE 6.8K	5% 1/10W
R3247	1-216-063-91	METAL GLAZE 3.9K	5% 1/10W

REF. NO.	PART NO.	DESCRIPTION	REMARK
R3248	1-216-295-91	CONDUCTOR, CHIP	
R3249	1-216-057-00	METAL GLAZE 2.2K	5% 1/10W
R3250	1-216-043-91	METAL GLAZE 560	5% 1/10W
R3251	1-216-049-91	METAL GLAZE 1K	5% 1/10W
R3252	1-216-043-91	METAL GLAZE 560	5% 1/10W
R3253	1-216-065-00	METAL GLAZE 4.7K	5% 1/10W
R3254	1-216-043-91	METAL GLAZE 560	5% 1/10W
R3255	1-216-041-00	METAL GLAZE 470	5% 1/10W
R3256	1-216-043-91	METAL GLAZE 560	5% 1/10W
R3259	1-216-298-00	METAL GLAZE 2.2	5% 1/10W
R3260	1-216-073-00	METAL GLAZE 10K	5% 1/10W
R3263	1-216-025-91	METAL GLAZE 100	5% 1/10W
R3264	1-216-025-91	METAL GLAZE 100	5% 1/10W
R3265	1-216-049-91	METAL GLAZE 1K	5% 1/10W
R3266	1-216-057-00	METAL GLAZE 2.2K	5% 1/10W
R3267	1-216-055-00	METAL GLAZE 1.8K	5% 1/10W
R3268	1-216-053-00	METAL GLAZE 1.5K	5% 1/10W
R3269	1-216-057-00	METAL GLAZE 2.2K	5% 1/10W
R3270	1-216-657-11	METAL CHIP 1.8K	0.50% 1/10W
R3271	1-216-655-11	METAL CHIP 1.5K	0.50% 1/10W
R3273	1-216-073-00	METAL GLAZE 10K	5% 1/10W
R3274	1-216-049-91	METAL GLAZE 1K	5% 1/10W
R3275	1-216-049-91	METAL GLAZE 1K	5% 1/10W
R3276	1-216-049-91	METAL GLAZE 1K	5% 1/10W
R3277	1-216-298-00	METAL GLAZE 2.2	5% 1/10W
<CRYSTAL>			
X3201	1-567-878-11	VIBRATOR, CRYSTAL	
X3202	1-567-878-11	VIBRATOR, CRYSTAL	

* A-1297-493-A A BOARD, COMPLETE (KP-46V25/53V25) *****			
* A-1297-606-A A BOARD, COMPLETE (KP-61V25) *****			
4-365-216-00 SPACER, MICA			
4-382-854-11 SCREW (M3X10), P, SW (+)			
<CAPACITOR>			
C201	1-104-665-11	ELECT 100μF	20% 25V
C202	1-102-125-00	CERAMIC 0.0047μF	10% 50V
C203	1-130-489-00	FILM 0.033μF	5% 50V
C204	1-124-902-00	ELECT 0.47μF	20% 50V
C205	1-104-665-11	ELECT 100μF	20% 25V
C206	1-124-902-00	ELECT 0.47μF	20% 50V
C207	1-124-903-11	ELECT 1μF	20% 50V
C208	1-124-768-11	ELECT 4.7μF	20% 50V
C209	1-124-903-11	ELECT 1μF	20% 50V
C210	1-102-125-00	CERAMIC 0.0047μF	10% 50V
C211	1-130-489-00	FILM 0.033μF	5% 50V
C212	1-124-768-11	ELECT 4.7μF	20% 50V
C220	1-126-964-11	ELECT 10μF	20% 50V
C221	1-126-964-11	ELECT 10μF	20% 50V
C222	1-126-964-11	ELECT 10μF	20% 50V
C223	1-126-964-11	ELECT 10μF	20% 50V
C226	1-104-665-11	ELECT 100μF	20% 25V
C232	1-104-664-11	ELECT 47μF	20% 25V
C233	1-104-664-11	ELECT 47μF	20% 25V
C234	1-104-664-11	ELECT 47μF	20% 25V
C235	1-104-664-11	ELECT 47μF	20% 25V
C236	1-124-902-00	ELECT 0.47μF	20% 50V
C237	1-124-927-11	ELECT 4.7μF	20% 50V
C238	1-104-665-11	ELECT 100μF	20% 25V
C239	1-126-943-11	ELECT 2200μF	20% 25V



REF. NO.	PART NO.	DESCRIPTION		REMARK
C240	1-126-943-11	ELECT	2200µF	20% 25V
C241	1-137-399-11	FILM	0.1µF	5% 50V
C242	1-137-399-11	FILM	0.1µF	5% 50V
C243	1-137-399-11	FILM	0.1µF	5% 50V
C244	1-104-665-11	ELECT	100µF	20% 25V
C245	1-137-399-11	FILM	0.1µF	5% 50V
C262	1-104-664-11	ELECT	47µF	20% 25V
C263	1-104-665-11	ELECT	100µF	20% 25V
C264	1-104-665-11	ELECT	100µF	20% 25V
C265	1-104-665-11	ELECT	100µF	20% 25V
C266	1-104-665-11	ELECT	100µF	20% 25V
C267	1-104-664-11	ELECT	47µF	20% 25V
C270	1-102-978-00	CERAMIC	220PF	5% 50V
C271	1-102-123-00	CERAMIC	0.0033µF	10% 50V
C272	1-102-074-00	CERAMIC	0.001µF	10% 50V
C273	1-126-111-11	ELECT	3.3µF	20% 50V
C274	1-126-964-11	ELECT	10µF	20% 50V
C275	1-124-902-00	ELECT	0.47µF	20% 50V
C276	1-102-125-00	CERAMIC	0.0047µF	10% 50V
C277	1-124-927-11	ELECT	4.7µF	20% 50V
C278	1-124-925-11	ELECT	2.2µF	20% 50V
C279	1-124-927-11	ELECT	4.7µF	20% 50V
C280	1-124-927-11	ELECT	4.7µF	20% 50V
C281	1-102-123-00	CERAMIC	0.0033µF	10% 50V
C282	1-102-125-00	CERAMIC	0.0047µF	10% 50V
C283	1-124-927-11	ELECT	4.7µF	20% 50V
C284	1-124-925-11	ELECT	2.2µF	20% 50V
C285	1-124-927-11	ELECT	4.7µF	20% 50V
C286	1-124-927-11	ELECT	4.7µF	20% 50V
C287	1-102-074-00	CERAMIC	0.001µF	10% 50V
C288	1-104-665-11	ELECT	100µF	20% 25V
C289	1-124-903-11	ELECT	1µF	20% 50V
C290	1-102-978-00	CERAMIC	220PF	5% 50V
C291	1-124-902-00	ELECT	0.47µF	20% 50V
C292	1-104-664-11	ELECT	47µF	20% 25V
C501	1-124-902-00	ELECT	0.47µF	20% 50V
C502	1-104-664-11	ELECT	47µF	20% 25V
C503	1-137-370-11	FILM	0.01µF	5% 50V
C504	1-164-070-11	CERAMIC	100PF	5% 50V
C505	1-137-372-11	FILM	0.022µF	5% 50V
C506	1-123-024-21	ELECT	33µF	160V
C507	1-107-368-11	FILM	0.047µF	10% 200V
C508	1-107-638-11	ELECT	33µF	20% 160V
C509	1-107-368-11	FILM	0.047µF	10% 200V
C510	1-102-030-00	CERAMIC	330PF	10% 500V
C511	1-137-414-11	FILM	0.0047µF	10% 100V
C512	1-162-115-00	CERAMIC	330PF	10% 2KV
C513	1-136-598-11	FILM	3µF	5% 200V
C514	1-136-613-11	FILM	0.0068µF	3% 2KV
C515	1-162-114-00	CERAMIC	0.0047µF	2KV
C516	1-107-719-11	ELECT	220µF	20% 50V
C517	1-126-971-11	ELECT	470µF	20% 50V
C518	1-126-971-11	ELECT	470µF	20% 50V
C519	1-124-903-11	ELECT	1µF	20% 50V
C1001	1-124-927-11	ELECT	4.7µF	20% 50V
C1002	1-126-964-11	ELECT	10µF	20% 50V
C1003	1-128-551-11	ELECT	22µF	20% 50V
C1004	1-126-935-11	ELECT	470µF	20% 16V
C1005	1-104-665-11	ELECT	100µF	20% 25V
C1006	1-101-004-00	CERAMIC	0.01µF	50V
C1007	1-126-935-11	ELECT	470µF	20% 16V
C1008	1-101-004-00	CERAMIC	0.01µF	50V
C1009	1-126-964-11	ELECT	10µF	20% 50V
C1010	1-126-964-11	ELECT	10µF	20% 50V
C1011	1-102-121-00	CERAMIC	0.0022µF	10% 50V
C1012	1-102-121-00	CERAMIC	0.0022µF	10% 50V

REF. NO.	PART NO.	DESCRIPTION	REMARK
<CONNECTOR>			
CN221	1-573-298-21	CONNECTOR, BOARD TO BOARD 20P	
CN222	1-573-298-21	CONNECTOR, BOARD TO BOARD 20P	
CN223	*1-564-507-11	PLUG, CONNECTOR 4P	
CN224	*1-564-507-11	PLUG, CONNECTOR 4P	
CN225	*1-564-513-11	PLUG, CONNECTOR 10P	
CN511	*1-580-689-11	PIN, CONNECTOR (PC BOARD) 4P	
CN527	*1-573-963-11	PIN, CONNECTOR (PC BOARD) 3P	
CN528	1-695-915-11	TAB (CONTACT)	
CN541	*1-580-689-11	PIN, CONNECTOR (PC BOARD) 4P	
CN571	*1-580-689-11	PIN, CONNECTOR (PC BOARD) 4P	
CN1026	*1-564-506-11	PLUG, CONNECTOR 3P	
<DIODE>			
D201	8-719-110-17	DIODE RD10ESB2	
D202	8-719-110-17	DIODE RD10ESB2	
D220	8-719-911-19	DIODE 1SS119-25	
D221	8-719-911-19	DIODE 1SS119-25	
D230	8-719-911-19	DIODE 1SS119-25	
D231	8-719-911-19	DIODE 1SS119-25	
D232	8-719-911-19	DIODE 1SS119-25	
D233	8-719-911-19	DIODE 1SS119-25	
D234	8-719-911-19	DIODE 1SS119-25	
D235	8-719-911-19	DIODE 1SS119-25	
D262	8-719-911-19	DIODE 1SS119-25	
D263	8-719-911-19	DIODE 1SS119-25	
D264	8-719-911-19	DIODE 1SS119-25	
D301	8-719-110-56	DIODE RD22ESB1	
D302	8-719-110-56	DIODE RD22ESB1	
D303	8-719-110-56	DIODE RD22ESB1	
D304	8-719-110-56	DIODE RD22ESB1	
D501	8-719-911-19	DIODE 1SS119-25	
D502	8-719-109-72	DIODE RD3.9ESB2	
D504	8-719-911-19	DIODE 1SS119-25	
D505	8-719-911-19	DIODE 1SS119-25	
D506	8-719-300-80	DIODE RU-1C	
D507	8-719-018-82	DIODE RGP02-20EL-6394	
D509	8-719-900-95	DIODE V09G (KP-46V25,KP-53V25)	
D510	8-719-900-95	DIODE V09G (KP-46V25,KP-53V25)	
D511	8-719-911-19	DIODE 1SS119-25	
D1001	8-719-110-76	DIODE RD33ESB1	
D1002	8-719-110-76	DIODE RD33ESB1	
<IC>			
IC201	8-759-135-80	IC µPC358C	
IC202	8-759-090-21	IC TDA8424	
IC230	8-759-190-89	IC TDA7265	
IC262	8-759-054-12	IC PQ09RA1	
IC263	8-759-504-46	IC PQ05RF1	
IC264	8-759-701-79	IC NJM7812FA	
IC270	8-759-253-06	IC XR1071CP	
IC271	8-752-057-18	IC CXA1315P	
IC1001	8-759-300-71	IC HD14053BFP	
<COIL>			
L501	1-411-189-11	COIL, CHOKE 15mH	
L503	1-406-832-11	COIL, HORIZONTAL LINEARITY(HLC)	
L1001	1-408-408-00	INDUCTOR 8.2µH	
L1002	1-408-408-00	INDUCTOR 8.2µH	
L1003	1-408-408-00	INDUCTOR 8.2µH	
L1004	1-408-408-00	INDUCTOR 8.2µH	
<TRANSISTOR>			
Q220	8-729-927-14	TRANSISTOR DTC323TS	



REF. NO.	PART NO.	DESCRIPTION	REMARK	REF. NO.	PART NO.	DESCRIPTION	REMARK
Q221	8-729-119-76	TRANSISTOR 2SA1175-HFE		R251	1-249-437-11	CARBON 47K	5% 1/4W
Q222	8-729-927-14	TRANSISTOR DTC323TS		R252	1-249-417-11	CARBON 1K	5% 1/4W
Q223	8-729-119-76	TRANSISTOR 2SA1175-HFE		R253	1-249-417-11	CARBON 1K	5% 1/4W
Q230	8-729-119-78	TRANSISTOR 2SC2785-HFE		R254	1-249-417-11	CARBON 1K	5% 1/4W
Q231	8-729-119-78	TRANSISTOR 2SC2785-HFE		R255	1-249-429-11	CARBON 10K	5% 1/4W
Q232	8-729-119-78	TRANSISTOR 2SC2785-HFE		R256	1-249-436-11	CARBON 39K	5% 1/4W
Q233	8-729-119-78	TRANSISTOR 2SC2785-HFE		R257	1-249-429-11	CARBON 10K	5% 1/4W
Q234	8-729-119-78	TRANSISTOR 2SC2785-HFE		R258	1-249-429-11	CARBON 10K	5% 1/4W
Q235	8-729-119-76	TRANSISTOR 2SA1175-HFE		R259	1-216-357-00	METAL OXIDE 4.7	5% 1W F
Q236	8-729-119-78	TRANSISTOR 2SC2785-HFE		R260	1-216-357-00	METAL OXIDE 4.7	5% 1W F
Q237	8-729-119-78	TRANSISTOR 2SC2785-HFE		R270	1-215-440-00	METAL 6.2K	1% 1/4W
Q238	8-729-119-78	TRANSISTOR 2SC2785-HFE		R271	1-249-429-11	CARBON 10K	5% 1/4W
Q270	8-729-119-76	TRANSISTOR 2SA1175-HFE		R272	1-247-883-00	CARBON 150K	5% 1/4W
Q271	8-729-119-78	TRANSISTOR 2SC2785-HFE		R274	1-249-441-11	CARBON 100K	5% 1/4W
Q501	8-729-119-76	TRANSISTOR 2SA1175-HFE		R276	1-249-425-11	CARBON 4.7K	5% 1/4W
Q502	8-729-119-76	TRANSISTOR 2SA1175-HFE		R279	1-249-441-11	CARBON 100K	5% 1/4W
Q503	8-729-119-78	TRANSISTOR 2SC2785-HFE		R280	1-249-417-11	CARBON 1K	5% 1/4W
Q504	8-729-119-78	TRANSISTOR 2SC2785-HFE		R281	1-249-429-11	CARBON 10K	5% 1/4W
Q505	8-729-119-80	TRANSISTOR 2SC2688-LK		R282	1-215-440-00	METAL 6.2K	1% 1/4W
Q506	8-729-201-32	TRANSISTOR 2SA1013-O		R283	1-249-429-11	CARBON 10K	5% 1/4W
Q507	8-729-304-92	TRANSISTOR 2SB649A-C		R501	1-249-421-11	CARBON 2.2K	5% 1/4W
Q508	8-729-201-32	TRANSISTOR 2SA1013-O		R502	1-249-429-11	CARBON 10K	5% 1/4W
Q509	8-729-010-98	TRANSISTOR 2SA1492M-OPY		R503	1-249-441-11	CARBON 100K	5% 1/4W
Q510	8-729-021-48	TRANSISTOR 2SD2348LBSONY		R504	1-249-429-11	CARBON 10K	5% 1/4W
Q511	8-729-119-76	TRANSISTOR 2SA1175-HFE		R505	1-215-437-00	METAL 4.7K	1% 1/4W
Q1001	8-729-119-76	TRANSISTOR 2SA1175-HFE		R506	1-215-433-00	METAL 3.3K	1% 1/4W
Q1002	8-729-119-76	TRANSISTOR 2SA1175-HFE		R507	1-249-407-11	CARBON 150	5% 1/4W
Q1003	8-729-119-76	TRANSISTOR 2SA1175-HFE		R508	1-249-421-11	CARBON 2.2K	5% 1/4W
Q1004	8-729-119-78	TRANSISTOR 2SC2785-HFE		R509	1-249-423-11	CARBON 3.3K	5% 1/4W
		<RESISTOR>		R510	1-249-417-11	CARBON 1K	5% 1/4W
R207	1-249-431-11	CARBON 15K	5% 1/4W	R511	1-247-895-91	CARBON 470K	5% 1/4W
R208	1-249-429-11	CARBON 10K	5% 1/4W	R512	1-215-925-11	METAL OXIDE 22K	5% 3W F
R209	1-249-431-11	CARBON 15K	5% 1/4W	R513	1-215-900-11	METAL OXIDE 22K	5% 2W F
R210	1-247-815-91	CARBON 220	5% 1/4W	R514	1-249-421-11	CARBON 2.2K	5% 1/4W F
R211	1-249-429-11	CARBON 10K	5% 1/4W	R515	1-215-925-11	METAL OXIDE 22K	5% 3W F
R212	1-249-441-11	CARBON 100K	5% 1/4W	R516	1-249-430-11	CARBON 12K	5% 1/4W F
R213	1-249-441-11	CARBON 100K	5% 1/4W	R517	1-249-429-11	CARBON 10K	5% 1/4W
R214	1-247-815-91	CARBON 220	5% 1/4W	R518	1-249-427-11	CARBON 6.8K	5% 1/4W F
R215	1-249-441-11	CARBON 100K	5% 1/4W	R519	1-249-417-11	CARBON 1K	5% 1/4W
R216	1-249-441-11	CARBON 100K	5% 1/4W	R520	1-249-423-11	CARBON 3.3K	5% 1/4W F
R217	1-247-807-31	CARBON 100	5% 1/4W	R521	1-249-437-11	CARBON 47K	5% 1/4W
R218	1-247-807-31	CARBON 100	5% 1/4W	R522	1-249-417-11	CARBON 1K	5% 1/4W F
R219	1-249-417-11	CARBON 1K	5% 1/4W	R523	1-249-426-11	CARBON 5.6K	5% 1/4W F
R220	1-249-429-11	CARBON 10K	5% 1/4W	R524	1-215-925-11	METAL OXIDE 22K	5% 3W F
R221	1-249-437-11	CARBON 47K	5% 1/4W	R525	1-216-373-11	METAL OXIDE 2.2	5% 2W F
R222	1-249-417-11	CARBON 1K	5% 1/4W	R526	1-216-478-11	METAL OXIDE 390	5% 3W F
R223	1-249-429-11	CARBON 10K	5% 1/4W	R528	1-216-477-11	METAL OXIDE 270	5% 3W F
R224	1-249-429-11	CARBON 10K	5% 1/4W	R529	1-216-477-11	METAL OXIDE 270	5% 3W F (KP-46V25, KP-53V25)
R230	1-249-430-11	CARBON 12K	5% 1/4W	R530	1-216-477-11	METAL OXIDE 270	5% 3W F (KP-46V25, KP-53V25)
R231	1-249-429-11	CARBON 10K	5% 1/4W	R531	1-216-477-11	METAL OXIDE 270	5% 3W F (KP-46V25, KP-53V25)
R233	1-249-429-11	CARBON 10K	5% 1/4W	R532	1-215-442-00	METAL 7.5K	1% 1/4W
R234	1-249-441-11	CARBON 100K	5% 1/4W	R533	1-215-443-00	METAL 8.2K	1% 1/4W
R235	1-249-414-11	CARBON 560	5% 1/4W	R534	1-215-437-00	METAL 4.7K	1% 1/4W
R236	1-249-432-11	CARBON 18K	5% 1/4W	R1001	1-215-900-11	METAL OXIDE 22K	5% 2W F
R237	1-249-414-11	CARBON 560	5% 1/4W	R1002	1-215-900-11	METAL OXIDE 22K	5% 2W F
R238	1-249-431-11	CARBON 15K	5% 1/4W	R1003	1-249-411-11	CARBON 330	5% 1/4W
R239	1-249-430-11	CARBON 12K	5% 1/4W	R1004	1-249-434-11	CARBON 27K	5% 1/4W
R241	1-249-439-11	CARBON 68K	5% 1/4W	R1005	1-249-436-11	CARBON 39K	5% 1/4W
R242	1-249-432-11	CARBON 18K	5% 1/4W	R1006	1-249-434-11	CARBON 27K	5% 1/4W
R243	1-247-863-91	CARBON 22K	5% 1/4W	R1007	1-249-425-11	CARBON 4.7K	5% 1/4W
R244	1-247-863-91	CARBON 22K	5% 1/4W	R1009	1-247-807-31	CARBON 100	5% 1/4W
R245	1-249-437-11	CARBON 47K	5% 1/4W	R1010	1-249-411-11	CARBON 330	5% 1/4W
R246	1-247-863-91	CARBON 22K	5% 1/4W	R1011	1-249-425-11	CARBON 4.7K	5% 1/4W
R247	1-249-430-11	CARBON 12K	5% 1/4W	R1012	1-249-425-11	CARBON 4.7K	5% 1/4W
R248	1-249-437-11	CARBON 47K	5% 1/4W	R1013	1-247-807-31	CARBON 100	5% 1/4W
R249	1-247-807-31	CARBON 100	5% 1/4W				
R250	1-249-417-11	CARBON 1K	5% 1/4W				



Les composants identifiés par une trame et une marque Δ sont critiques pour la sécurité. Ne les remplacer que par une pièce portant le numéro spécifié.

The components identified by shading and mark Δ are critical for safety. Replace only with part number specified.

REF. NO.	PART NO.	DESCRIPTION	REMARK
R1014	1-249-436-11	CARBON 39K 5%	1/4W
R1016	1-247-807-31	CARBON 100 5%	1/4W
R1017	1-249-417-11	CARBON 1K 5%	1/4W
R1018	1-215-432-00	METAL 3K 1%	1/4W
R1019	1-249-441-11	CARBON 100K 5%	1/4W
<RELAY>			
RY230	1-755-028-11	RELAY	
RY231	1-755-028-11	RELAY	
<TRANSFORMER>			
T501	Δ 1-437-078-11	TRANSFORMER HORIZONTAL DRIVE	
<TUNER>			
TU1001	Δ 8-598-047-11	TUNER ET (BTF-LA401)	
TU1002	Δ 8-598-254-00	TUNER (BTF-WA402)	

* A-1306-497-A M BOARD, COMPLETE *****			
<CAPACITOR>			
C001	1-126-935-11	ELECT 470 μ F 20%	16V
C002	1-126-916-11	ELECT 1000 μ F 20%	6.3V
C004	1-163-001-11	CERAMIC CHIP 220PF 10%	50V
C005	1-163-001-11	CERAMIC CHIP 220PF 10%	50V
C006	1-163-001-11	CERAMIC CHIP 220PF 10%	50V
C007	1-163-001-11	CERAMIC CHIP 220PF 10%	50V
C009	1-163-001-11	CERAMIC CHIP 220PF 10%	50V
C010	1-163-001-11	CERAMIC CHIP 220PF 10%	50V
C011	1-163-001-11	CERAMIC CHIP 220PF 10%	50V
C012	1-163-001-11	CERAMIC CHIP 220PF 10%	50V
C013	1-163-001-11	CERAMIC CHIP 220PF 10%	50V
C014	1-163-001-11	CERAMIC CHIP 220PF 10%	50V
C015	1-163-001-11	CERAMIC CHIP 220PF 10%	50V
C016	1-163-001-11	CERAMIC CHIP 220PF 10%	50V
C017	1-163-001-11	CERAMIC CHIP 220PF 10%	50V
C018	1-163-001-11	CERAMIC CHIP 220PF 10%	50V
C019	1-163-001-11	CERAMIC CHIP 220PF 10%	50V
C020	1-163-001-11	CERAMIC CHIP 220PF 10%	50V
C021	1-163-001-11	CERAMIC CHIP 220PF 10%	50V
C022	1-163-001-11	CERAMIC CHIP 220PF 10%	50V
C023	1-163-001-11	CERAMIC CHIP 220PF 10%	50V
C024	1-163-001-11	CERAMIC CHIP 220PF 10%	50V
C025	1-163-001-11	CERAMIC CHIP 220PF 10%	50V
C026	1-163-001-11	CERAMIC CHIP 220PF 10%	50V
C028	1-163-001-11	CERAMIC CHIP 220PF 10%	50V
C029	1-163-001-11	CERAMIC CHIP 220PF 10%	50V
C030	1-163-001-11	CERAMIC CHIP 220PF 10%	50V
C031	1-163-001-11	CERAMIC CHIP 220PF 10%	50V
C032	1-163-001-11	CERAMIC CHIP 220PF 10%	50V
C033	1-163-809-11	CERAMIC CHIP 0.047 μ F 10%	25V
C034	1-163-001-11	CERAMIC CHIP 220PF 10%	50V
C035	1-124-903-11	ELECT 1 μ F 20%	50V
C037	1-163-009-11	CERAMIC CHIP 0.001 μ F 10%	50V
C038	1-126-940-11	ELECT 330 μ F 20%	16V
C040	1-124-903-11	ELECT 1 μ F 20%	50V
C041	1-163-001-11	CERAMIC CHIP 220PF 10%	50V
C042	1-163-001-11	CERAMIC CHIP 220PF 10%	50V
C046	1-163-125-00	CERAMIC CHIP 220PF 5%	50V
C047	1-124-903-11	ELECT 1 μ F 20%	50V
C048	1-163-245-11	CERAMIC CHIP 56PF 5%	50V

REF. NO.	PART NO.	DESCRIPTION	REMARK
C049	1-163-001-11	CERAMIC CHIP 220PF 10%	50V
C050	1-163-031-11	CERAMIC CHIP 0.01 μ F 50V	
C051	1-163-017-00	CERAMIC CHIP 0.0047 μ F 10%	50V
C054	1-163-001-11	CERAMIC CHIP 220PF 10%	50V
C055	1-163-037-11	CERAMIC CHIP 0.022 μ F 10%	25V
C056	1-163-001-11	CERAMIC CHIP 220PF 10%	50V
C057	1-163-159-00	CERAMIC CHIP 12PF 2%	50V
C058	1-104-896-11	CERAMIC CHIP 24PF 2%	50V
C060	1-124-903-11	ELECT 1 μ F 20%	50V
C062	1-163-038-91	CERAMIC CHIP 0.1 μ F 25V	
C063	1-126-964-11	ELECT 10 μ F 20%	50V
C064	1-126-964-11	ELECT 10 μ F 20%	50V
C065	1-163-038-91	CERAMIC CHIP 0.1 μ F 25V	
C066	1-163-135-00	CERAMIC CHIP 560PF 5%	50V
C067	1-137-399-11	FILM 0.1 μ F 5%	50V
C068	1-137-367-11	FILM 0.0033 μ F 5%	50V
C069	1-137-375-11	FILM 0.068 μ F 5%	50V
C070	1-104-664-11	ELECT 47 μ F 20%	25V
C071	1-124-464-11	ELECT 0.22 μ F 20%	50V
C074	1-126-940-11	ELECT 330 μ F 20%	16V
C075	1-163-031-11	CERAMIC CHIP 0.01 μ F 50V	
C302	1-124-902-00	ELECT 0.47 μ F 20%	50V
C303	1-124-902-00	ELECT 0.47 μ F 20%	50V
C304	1-124-927-11	ELECT 4.7 μ F 20%	50V
C309	1-163-019-00	CERAMIC CHIP 0.0068 μ F 10%	50V
C310	1-163-017-00	CERAMIC CHIP 0.0047 μ F 10%	50V
C311	1-124-925-11	ELECT 2.2 μ F 20%	50V
C312	1-163-017-00	CERAMIC CHIP 0.0047 μ F 10%	50V
C313	1-104-664-11	ELECT 47 μ F 20%	25V
C314	1-163-031-11	CERAMIC CHIP 0.01 μ F 50V	
C315	1-126-934-11	ELECT 220 μ F 20%	16V
C316	1-131-374-00	TANTALUM 33 μ F 10%	16V
C317	1-163-031-11	CERAMIC CHIP 0.01 μ F 50V	
C318	1-124-925-11	ELECT 2.2 μ F 20%	50V
C319	1-124-903-11	ELECT 1 μ F 20%	50V
C320	1-124-903-11	ELECT 1 μ F 20%	50V
C321	1-163-017-00	CERAMIC CHIP 0.0047 μ F 10%	50V
C323	1-163-031-11	CERAMIC CHIP 0.01 μ F 50V	
C324	1-128-551-11	ELECT 22 μ F 20%	50V
C327	1-163-139-00	CERAMIC CHIP 820PF 5%	50V
C328	1-163-117-00	CERAMIC CHIP 100PF 5%	50V
C329	1-163-001-11	CERAMIC CHIP 220PF 10%	50V
C338	1-124-927-11	ELECT 4.7 μ F 20%	50V
C339	1-124-464-11	ELECT 0.22 μ F 20%	50V
C340	1-163-133-00	CERAMIC CHIP 470PF 5%	50V
C341	1-124-902-00	ELECT 0.47 μ F 20%	50V
C342	1-124-902-00	ELECT 0.47 μ F 20%	50V
C343	1-124-902-00	ELECT 0.47 μ F 20%	50V
C344	1-163-031-11	CERAMIC CHIP 0.01 μ F 50V	
C345	1-163-031-11	CERAMIC CHIP 0.01 μ F 50V	
C346	1-163-031-11	CERAMIC CHIP 0.01 μ F 50V	
C347	1-124-902-00	ELECT 0.47 μ F 20%	50V
C348	1-163-097-00	CERAMIC CHIP 15PF 5%	50V
C349	1-163-109-00	CERAMIC CHIP 47PF 5%	50V
C350	1-126-964-11	ELECT 10 μ F 20%	50V
C352	1-163-031-11	CERAMIC CHIP 0.01 μ F 50V	
C353	1-104-665-11	ELECT 100 μ F 20%	25V
C354	1-163-101-00	CERAMIC CHIP 22PF 5%	50V
C355	1-128-551-11	ELECT 22 μ F 20%	50V
C357	1-104-664-11	ELECT 47 μ F 20%	25V
C358	1-163-097-00	CERAMIC CHIP 15PF 5%	50V
C359	1-163-125-00	CERAMIC CHIP 220PF 5%	50V
C360	1-126-964-11	ELECT 10 μ F 20%	50V
C361	1-126-964-11	ELECT 10 μ F 20%	50V
C362	1-163-101-00	CERAMIC CHIP 22PF 5%	50V
C363	1-163-009-11	CERAMIC CHIP 0.001 μ F 10%	50V
C364	1-126-964-11	ELECT 10 μ F 20%	50V
C365	1-163-101-00	CERAMIC CHIP 22PF 5%	50V



REF. NO.	PART NO.	DESCRIPTION	REMARK
C366	1-163-117-00	CERAMIC CHIP 100PF	5% 50V
C368	1-163-093-00	CERAMIC CHIP 10PF	5% 50V
C369	1-163-809-11	CERAMIC CHIP 0.047μF	10% 25V
C370	1-104-665-11	ELECT 100μF	20% 25V
C371	1-104-665-11	ELECT 100μF	20% 25V
<CHIP CONDUCTOR>			
CJ001	1-216-295-91	CONDUCTOR, CHIP	
CJ002	1-216-295-91	CONDUCTOR, CHIP	
CJ003	1-216-295-91	CONDUCTOR, CHIP	
<CONNECTOR>			
CN046	*1-564-512-11	PLUG, CONNECTOR 9P	
CN052	*1-564-507-11	PLUG, CONNECTOR 4P	
CN053	*1-564-507-11	PLUG, CONNECTOR 4P	
CN054	1-573-979-21	CONNECTOR, BOARD TO BOARD 11P	
CN304	*1-564-512-11	PLUG, CONNECTOR 9P	
CN321	1-573-301-21	CONNECTOR, BOARD TO BOARD 20P	
CN322	1-573-301-21	CONNECTOR, BOARD TO BOARD 20P	
CN351	*1-564-509-11	PLUG, CONNECTOR 6P	
CN355	*1-565-930-11	CONNECTOR (RECEPTACLE) 30P	
CN356	*1-566-367-11	CONNECTOR, HINGE (RECEPTACLE)	
CN357	*1-564-516-11	PLUG, CONNECTOR 13P	
CN358	*1-564-508-11	PLUG, CONNECTOR 5P	
<DIODE>			
D001	8-719-404-46	DIODE MA110	
D002	8-719-404-46	DIODE MA110	
D003	8-719-404-46	DIODE MA110	
D004	8-719-109-88	DIODE RD5.6ESB1	
D005	8-719-109-88	DIODE RD5.6ESB1	
D006	8-719-109-88	DIODE RD5.6ESB1	
D007	8-719-109-88	DIODE RD5.6ESB1	
D008	8-719-002-81	DIODE 1T363	
D009	8-719-404-46	DIODE MA110	
D010	8-719-404-46	DIODE MA110	
D011	8-719-404-46	DIODE MA110	
D012	8-719-404-46	DIODE MA110	
D013	8-719-404-46	DIODE MA110	
D014	8-719-404-46	DIODE MA110	
D015	8-719-404-46	DIODE MA110	
D016	8-719-404-46	DIODE MA110	
D017	8-719-404-46	DIODE MA110	
D018	8-719-404-46	DIODE MA110	
D019	8-719-404-46	DIODE MA110	
D020	8-719-105-91	DIODE RD5.6M-B2	
D305	8-719-121-24	DIODE RD9.1ESL	
D307	8-719-121-24	DIODE RD9.1ESL	
D308	8-719-110-22	DIODE RD11ESB2	
D309	8-719-109-84	DIODE RD5.1ESB1	
D310	8-719-914-44	DIODE DAP202K	
D311	8-719-914-43	DIODE DAN202K	
D312	8-719-404-46	DIODE MA110	
D313	8-719-404-46	DIODE MA110	
D314	8-719-404-46	DIODE MA110	
D315	8-719-109-88	DIODE RD5.6ESB1	
D316	8-719-404-46	DIODE MA110	
D317	8-719-110-22	DIODE RD11ESB2	
D320	8-719-404-46	DIODE MA110	
D321	8-719-404-46	DIODE MA110	
D322	8-719-404-46	DIODE MA110	
D323	8-719-404-46	DIODE MA110	
D324	8-719-404-46	DIODE MA110	
D325	8-719-404-46	DIODE MA110	
D326	8-719-110-08	DIODE RD8.2ESB2	
D327	8-719-404-46	DIODE MA110	

REF. NO.	PART NO.	DESCRIPTION	REMARK
D328	8-719-911-19	DIODE 1SS119-25	
<IC>			
IC001	8-759-112-06	IC μPC78N05H	
IC002	8-752-867-91	IC CXP85332A-046S	
IC003	8-759-284-16	IC ST24C04CB1	
IC004	8-759-328-12	IC Z8622812PSC	
IC005	8-759-280-75	IC ST24C01CB1	
IC006	8-759-403-44	IC MN1280-S	
IC301	8-752-063-50	IC CXA1477AS	
IC302	8-759-701-75	IC NJM7805FA	
<COIL>			
L003	1-410-470-11	INDUCTOR 10μH	
L004	1-410-476-11	INDUCTOR 33μH	
L005	1-410-470-11	INDUCTOR 10μH	
L006	1-410-470-11	INDUCTOR 10μH	
L302	1-408-413-00	INDUCTOR 22μH	
L303	1-408-416-00	INDUCTOR 39μH	
L304	1-410-468-11	INDUCTOR 6.8μH	
<TRANSISTOR>			
Q001	8-729-216-22	TRANSISTOR 2SA1162-G	
Q002	8-729-120-28	TRANSISTOR 2SC1623-L5L6	
Q003	8-729-120-28	TRANSISTOR 2SC1623-L5L6	
Q004	8-729-216-22	TRANSISTOR 2SA1162-G	
Q005	8-729-120-28	TRANSISTOR 2SC1623-L5L6	
Q006	8-729-120-28	TRANSISTOR 2SC1623-L5L6	
Q007	8-729-216-22	TRANSISTOR 2SA1162-G	
Q008	8-729-216-22	TRANSISTOR 2SA1162-G	
Q009	8-729-120-28	TRANSISTOR 2SC1623-L5L6	
Q010	8-729-216-22	TRANSISTOR 2SA1162-G	
Q011	8-729-216-22	TRANSISTOR 2SA1162-G	
Q012	8-729-120-28	TRANSISTOR 2SC1623-L5L6	
Q013	8-729-216-22	TRANSISTOR 2SA1162-G	
Q014	8-729-216-22	TRANSISTOR 2SA1162-G	
Q015	8-729-120-28	TRANSISTOR 2SC1623-L5L6	
Q016	8-729-216-22	TRANSISTOR 2SA1162-G	
Q017	8-729-120-28	TRANSISTOR 2SC1623-L5L6	
Q018	8-729-216-22	TRANSISTOR 2SA1162-G	
Q019	8-729-120-28	TRANSISTOR 2SC1623-L5L6	
Q301	8-729-216-22	TRANSISTOR 2SA1162-G	
Q302	8-729-216-22	TRANSISTOR 2SA1162-G	
Q303	8-729-216-22	TRANSISTOR 2SA1162-G	
Q304	8-729-216-22	TRANSISTOR 2SA1162-G	
Q305	8-729-120-28	TRANSISTOR 2SC1623-L5L6	
Q307	8-729-120-28	TRANSISTOR 2SC1623-L5L6	
Q308	8-729-216-22	TRANSISTOR 2SA1162-G	
Q309	8-729-216-22	TRANSISTOR 2SA1162-G	
Q310	8-729-120-28	TRANSISTOR 2SC1623-L5L6	
Q311	8-729-120-28	TRANSISTOR 2SC1623-L5L6	
Q312	8-729-120-28	TRANSISTOR 2SC1623-L5L6	
Q313	8-729-120-28	TRANSISTOR 2SC1623-L5L6	
Q314	8-729-120-28	TRANSISTOR 2SC1623-L5L6	
Q315	8-729-120-28	TRANSISTOR 2SC1623-L5L6	
Q316	8-729-120-28	TRANSISTOR 2SC1623-L5L6	
Q317	8-729-216-22	TRANSISTOR 2SA1162-G	
Q318	8-729-120-28	TRANSISTOR 2SC1623-L5L6	
Q319	8-729-120-28	TRANSISTOR 2SC1623-L5L6	
Q320	8-729-120-28	TRANSISTOR 2SC1623-L5L6	
Q321	8-729-120-28	TRANSISTOR 2SC1623-L5L6	
Q322	8-729-120-28	TRANSISTOR 2SC1623-L5L6	
<RESISTOR>			



REF. NO.	PART NO.	DESCRIPTION	REMARK	REF. NO.	PART NO.	DESCRIPTION	REMARK
R001	1-216-049-91	METAL GLAZE 1K	5% 1/10W	R073	1-216-049-91	METAL GLAZE 1K	5% 1/10W
R002	1-216-049-91	METAL GLAZE 1K	5% 1/10W	R074	1-216-049-91	METAL GLAZE 1K	5% 1/10W
R003	1-216-033-00	METAL GLAZE 220	5% 1/10W	R075	1-216-069-00	METAL GLAZE 6.8K	5% 1/10W
R004	1-216-033-00	METAL GLAZE 220	5% 1/10W	R076	1-216-089-91	METAL GLAZE 47K	5% 1/10W
R005	1-216-033-00	METAL GLAZE 220	5% 1/10W	R077	1-216-097-91	METAL GLAZE 100K	5% 1/10W
R006	1-216-033-00	METAL GLAZE 220	5% 1/10W	R078	1-216-097-91	METAL GLAZE 100K	5% 1/10W
R007	1-216-033-00	METAL GLAZE 220	5% 1/10W	R079	1-216-081-00	METAL GLAZE 22K	5% 1/10W
R008	1-216-033-00	METAL GLAZE 220	5% 1/10W	R080	1-216-023-00	METAL GLAZE 82	5% 1/10W
R009	1-216-033-00	METAL GLAZE 220	5% 1/10W	R081	1-216-041-00	METAL GLAZE 470	5% 1/10W
R010	1-216-073-00	METAL GLAZE 10K	5% 1/10W	R082	1-216-093-00	METAL GLAZE 68K	5% 1/10W
R011	1-216-033-00	METAL GLAZE 220	5% 1/10W	R083	1-216-065-00	METAL GLAZE 4.7K	5% 1/10W
R012	1-216-033-00	METAL GLAZE 220	5% 1/10W	R084	1-216-073-00	METAL GLAZE 10K	5% 1/10W
R013	1-216-073-00	METAL GLAZE 10K	5% 1/10W	R085	1-216-089-91	METAL GLAZE 47K	5% 1/10W
R014	1-216-073-00	METAL GLAZE 10K	5% 1/10W	R086	1-216-097-91	METAL GLAZE 100K	5% 1/10W
R015	1-216-033-00	METAL GLAZE 220	5% 1/10W	R087	1-216-073-00	METAL GLAZE 10K	5% 1/10W
R016	1-216-033-00	METAL GLAZE 220	5% 1/10W	R088	1-216-089-91	METAL GLAZE 47K	5% 1/10W
R017	1-216-073-00	METAL GLAZE 10K	5% 1/10W	R089	1-216-065-00	METAL GLAZE 4.7K	5% 1/10W
R018	1-216-049-91	METAL GLAZE 1K	5% 1/10W	R090	1-216-073-00	METAL GLAZE 10K	5% 1/10W
R019	1-216-033-00	METAL GLAZE 220	5% 1/10W	R091	1-216-081-00	METAL GLAZE 22K	5% 1/10W
R020	1-216-033-00	METAL GLAZE 220	5% 1/10W	R092	1-216-081-00	METAL GLAZE 22K	5% 1/10W
R021	1-216-033-00	METAL GLAZE 220	5% 1/10W	R093	1-216-295-91	CONDUCTOR, CHIP	
R022	1-216-097-91	METAL GLAZE 100K	5% 1/10W	R094	1-216-081-00	METAL GLAZE 22K	5% 1/10W
R023	1-216-121-91	METAL GLAZE 1M	5% 1/10W	R095	1-216-081-00	METAL GLAZE 22K	5% 1/10W
R024	1-216-065-00	METAL GLAZE 4.7K	5% 1/10W	R096	1-216-081-00	METAL GLAZE 22K	5% 1/10W
R025	1-216-073-00	METAL GLAZE 10K	5% 1/10W	R097	1-216-081-00	METAL GLAZE 22K	5% 1/10W
R026	1-216-073-00	METAL GLAZE 10K	5% 1/10W	R098	1-216-081-00	METAL GLAZE 22K	5% 1/10W
R027	1-216-089-91	METAL GLAZE 47K	5% 1/10W	R099	1-216-081-00	METAL GLAZE 22K	5% 1/10W
R028	1-216-065-00	METAL GLAZE 4.7K	5% 1/10W	R100	1-216-295-91	CONDUCTOR, CHIP	
R029	1-216-065-00	METAL GLAZE 4.7K	5% 1/10W	R101	1-216-065-00	METAL GLAZE 4.7K	5% 1/10W
R030	1-216-065-00	METAL GLAZE 4.7K	5% 1/10W	R102	1-216-089-91	METAL GLAZE 47K	5% 1/10W
R031	1-216-065-00	METAL GLAZE 4.7K	5% 1/10W	R103	1-216-045-00	METAL GLAZE 680	5% 1/10W
R032	1-216-065-00	METAL GLAZE 4.7K	5% 1/10W	R104	1-216-033-00	METAL GLAZE 220	5% 1/10W
R033	1-216-065-00	METAL GLAZE 4.7K	5% 1/10W	R106	1-216-033-00	METAL GLAZE 220	5% 1/10W
R034	1-216-073-00	METAL GLAZE 10K	5% 1/10W	R107	1-216-033-00	METAL GLAZE 220	5% 1/10W
R035	1-216-033-00	METAL GLAZE 220	5% 1/10W	R108	1-216-033-00	METAL GLAZE 220	5% 1/10W
R036	1-216-025-91	METAL GLAZE 100	5% 1/10W	R109	1-216-033-00	METAL GLAZE 220	5% 1/10W
R037	1-216-033-00	METAL GLAZE 220	5% 1/10W	R110	1-216-033-00	METAL GLAZE 220	5% 1/10W
R038	1-216-033-00	METAL GLAZE 220	5% 1/10W	R111	1-216-049-91	METAL GLAZE 1K	5% 1/10W
R039	1-216-025-91	METAL GLAZE 100	5% 1/10W	R112	1-216-089-91	METAL GLAZE 47K	5% 1/10W
R040	1-216-033-00	METAL GLAZE 220	5% 1/10W	R113	1-216-089-91	METAL GLAZE 47K	5% 1/10W
R041	1-216-033-00	METAL GLAZE 220	5% 1/10W	R114	1-216-065-00	METAL GLAZE 4.7K	5% 1/10W
R042	1-216-033-00	METAL GLAZE 220	5% 1/10W	R115	1-216-065-00	METAL GLAZE 4.7K	5% 1/10W
R043	1-216-073-00	METAL GLAZE 10K	5% 1/10W	R116	1-216-065-00	METAL GLAZE 4.7K	5% 1/10W
R044	1-216-089-91	METAL GLAZE 47K	5% 1/10W	R117	1-216-047-91	METAL GLAZE 820	5% 1/10W
R045	1-216-033-00	METAL GLAZE 220	5% 1/10W	R118	1-216-047-91	METAL GLAZE 820	5% 1/10W
R046	1-216-033-00	METAL GLAZE 220	5% 1/10W	R119	1-216-047-91	METAL GLAZE 820	5% 1/10W
R047	1-216-033-00	METAL GLAZE 220	5% 1/10W	R120	1-216-033-00	METAL GLAZE 220	5% 1/10W
R048	1-216-073-00	METAL GLAZE 10K	5% 1/10W	R300	1-216-025-91	METAL GLAZE 100	5% 1/10W
R049	1-216-033-00	METAL GLAZE 220	5% 1/10W	R301	1-216-059-00	METAL GLAZE 2.7K	5% 1/10W
R050	1-216-049-91	METAL GLAZE 1K	5% 1/10W	R302	1-216-049-91	METAL GLAZE 1K	5% 1/10W
R051	1-216-049-91	METAL GLAZE 1K	5% 1/10W	R303	1-216-049-91	METAL GLAZE 1K	5% 1/10W
R052	1-216-065-00	METAL GLAZE 4.7K	5% 1/10W	R304	1-216-049-91	METAL GLAZE 1K	5% 1/10W
R054	1-216-073-00	METAL GLAZE 10K	5% 1/10W	R305	1-216-025-91	METAL GLAZE 100	5% 1/10W
R055	1-216-049-91	METAL GLAZE 1K	5% 1/10W	R306	1-216-025-91	METAL GLAZE 100	5% 1/10W
R056	1-216-049-91	METAL GLAZE 1K	5% 1/10W	R307	1-216-057-00	METAL GLAZE 2.2K	5% 1/10W
R057	1-216-065-00	METAL GLAZE 4.7K	5% 1/10W	R308	1-216-073-00	METAL GLAZE 10K	5% 1/10W
R058	1-216-073-00	METAL GLAZE 10K	5% 1/10W	R309	1-216-025-91	METAL GLAZE 100	5% 1/10W
R059	1-216-295-91	CONDUCTOR, CHIP		R310	1-216-081-00	METAL GLAZE 22K	5% 1/10W
R060	1-216-065-00	METAL GLAZE 4.7K	5% 1/10W	R311	1-216-025-91	METAL GLAZE 100	5% 1/10W
R061	1-216-033-00	METAL GLAZE 220	5% 1/10W	R312	1-216-033-00	METAL GLAZE 220	5% 1/10W
R062	1-216-085-00	METAL GLAZE 33K	5% 1/10W	R313	1-216-081-00	METAL GLAZE 22K	5% 1/10W
R063	1-216-041-00	METAL GLAZE 470	5% 1/10W	R314	1-216-033-00	METAL GLAZE 220	5% 1/10W
R064	1-216-065-00	METAL GLAZE 4.7K	5% 1/10W	R315	1-216-067-00	METAL GLAZE 5.6K	5% 1/10W
R065	1-216-097-91	METAL GLAZE 100K	5% 1/10W	R317	1-216-033-00	METAL GLAZE 220	5% 1/10W
R066	1-216-049-91	METAL GLAZE 1K	5% 1/10W	R318	1-216-071-00	METAL GLAZE 8.2K	5% 1/10W
R067	1-216-049-91	METAL GLAZE 1K	5% 1/10W	R319	1-216-190-00	METAL GLAZE 470	5% 1/8W
R068	1-216-049-91	METAL GLAZE 1K	5% 1/10W	R320	1-216-065-00	METAL GLAZE 4.7K	5% 1/10W
R069	1-216-073-00	METAL GLAZE 10K	5% 1/10W	R321	1-216-190-00	METAL GLAZE 470	5% 1/8W
R071	1-216-073-00	METAL GLAZE 10K	5% 1/10W				
R072	1-216-041-00	METAL GLAZE 470	5% 1/10W				

The components identified by shading and mark Δ are critical for safety. Replace only with part number specified.

Les composants identifiés par une trame et une marque Δ sont critiques pour la sécurité. Ne les remplacer que par une pièce portant le numéro spécifié.



REF. NO.	PART NO.	DESCRIPTION	REMARK
R323	1-216-295-91	CONDUCTOR, CHIP	
R324	1-216-025-91	METAL GLAZE 100	5%
R325	1-216-043-91	METAL GLAZE 560	5%
R326	1-216-077-00	METAL GLAZE 15K	5%
R327	1-216-033-00	METAL GLAZE 220	5%
R328	1-216-025-91	METAL GLAZE 100	5%
R329	1-216-085-00	METAL GLAZE 33K	5%
R330	1-216-039-00	METAL GLAZE 390	5%
R331	1-216-059-00	METAL GLAZE 2.7K	5%
R332	1-216-049-91	METAL GLAZE 1K	5%
R333	1-208-810-11	METAL CHIP 15K	0.50%
R335	1-216-033-00	METAL GLAZE 220	5%
R336	1-216-033-00	METAL GLAZE 220	5%
R337	1-216-049-91	METAL GLAZE 1K	5%
R338	1-216-049-91	METAL GLAZE 1K	5%
R339	1-216-655-11	METAL CHIP 1.5K	0.50%
R340	1-216-033-00	METAL GLAZE 220	5%
R341	1-216-033-00	METAL GLAZE 220	5%
R342	1-216-033-00	METAL GLAZE 220	5%
R343	1-216-077-00	METAL GLAZE 15K	5%
R344	1-216-073-00	METAL GLAZE 10K	5%
R345	1-216-025-91	METAL GLAZE 100	5%
R346	1-216-037-00	METAL GLAZE 330	5%
R347	1-216-041-00	METAL GLAZE 470	5%
R348	1-216-049-91	METAL GLAZE 1K	5%
R349	1-216-033-00	METAL GLAZE 220	5%
R350	1-216-033-00	METAL GLAZE 220	5%
R351	1-216-033-00	METAL GLAZE 220	5%
R352	1-216-057-00	METAL GLAZE 2.2K	5%
R353	1-216-069-00	METAL GLAZE 6.8K	5%
R354	1-216-053-00	METAL GLAZE 1.5K	5%
R355	1-216-071-00	METAL GLAZE 8.2K	5%
R356	1-216-031-00	METAL GLAZE 180	5%
R357	1-216-031-00	METAL GLAZE 180	5%
R358	1-216-049-91	METAL GLAZE 1K	5%
R359	1-216-037-00	METAL GLAZE 330	5%
R360	1-216-035-00	METAL GLAZE 270	5%
R361	1-216-049-91	METAL GLAZE 1K	5%
R362	1-216-035-00	METAL GLAZE 270	5%
R363	1-216-049-91	METAL GLAZE 1K	5%
R364	1-216-025-91	METAL GLAZE 100	5%
R366	1-216-053-00	METAL GLAZE 1.5K	5%
R367	1-216-057-00	METAL GLAZE 2.2K	5%
R368	1-216-025-91	METAL GLAZE 100	5%
R369	1-216-061-00	METAL GLAZE 3.3K	5%
R370	1-216-033-00	METAL GLAZE 220	5%
R371	1-216-049-91	METAL GLAZE 1K	5%
R372	1-216-051-00	METAL GLAZE 1.2K	5%
R373	1-216-035-00	METAL GLAZE 270	5%
R374	1-216-085-00	METAL GLAZE 33K	5%
R375	1-216-075-00	METAL GLAZE 12K	5%
R376	1-216-093-00	METAL GLAZE 68K	5%
R377	1-216-043-91	METAL GLAZE 560	5%
R378	1-216-059-00	METAL GLAZE 2.7K	5%
R379	1-216-083-00	METAL GLAZE 27K	5%
R380	1-216-097-91	METAL GLAZE 100K	5%
R381	1-216-071-00	METAL GLAZE 8.2K	5%
R382	1-216-085-00	METAL GLAZE 33K	5%
R383	1-216-043-91	METAL GLAZE 560	5%
R384	1-216-053-00	METAL GLAZE 1.5K	5%
R385	1-216-085-00	METAL GLAZE 33K	5%
R386	1-216-121-91	METAL GLAZE 1M	5%
R387	1-216-049-91	METAL GLAZE 1K	5%
R388	1-216-025-91	METAL GLAZE 100	5%
R389	1-216-033-00	METAL GLAZE 220	5%
R390	1-216-033-00	METAL GLAZE 220	5%
R391	1-216-061-00	METAL GLAZE 3.3K	5%
R392	1-216-059-00	METAL GLAZE 2.7K	5%

REF. NO.	PART NO.	DESCRIPTION	REMARK
R393	1-249-417-11	CARBON 1K	5% 1/4W
<CRYSTAL>			
X001	1-579-917-11	VIBRATOR, CRYSTAL	
X301	1-577-611-11	OSCILATOR, CERAMIC	
X302	1-567-505-11	OSCILLATOR, CRYSTAL	

* A-1316-212-A G BOARD, COMPLETE			

* 4-047-936-01 PLATE, SHIELD, PIT			
4-382-854-11 SCREW (M3X10), P, SW (+)			
<CAPACITOR>			
C601	Δ 1-136-311-51	FILM	0.47 μ F 20% 125V
C602	Δ 1-162-577-51	CERAMIC	0.0022 μ F 20% 400V
C603	Δ 1-162-577-51	CERAMIC	0.0022 μ F 20% 400V
C604	Δ 1-125-692-11	ELECT(BLOCK)	820 μ F 20% 200V
C605	Δ 1-125-692-11	ELECT(BLOCK)	820 μ F 20% 200V
C608	1-164-645-11	CERAMIC	1000PF 10% 500V
C609	1-164-645-11	CERAMIC	1000PF 10% 500V
C610	1-136-173-00	FILM	0.47 μ F 5% 50V
C611	1-136-171-00	FILM	0.33 μ F 5% 50V
C612	1-136-173-00	FILM	0.47 μ F 5% 50V
C613	1-136-171-00	FILM	0.33 μ F 5% 50V
C614	1-164-735-11	CAP, CERAMIC	1500PF 20% 25V
C615	1-129-720-00	FILM	0.033 μ F 5% 630V
C616	Δ 1-136-311-51	FILM	0.47 μ F 20% 125V
C618	Δ 1-162-575-51	CERAMIC	470PF 10% 400V
C619	Δ 1-162-575-51	CERAMIC	470PF 10% 400V
C651	1-128-548-11	ELECT	4700 μ F 20% 25V
C652	1-128-548-11	ELECT	4700 μ F 20% 25V
C653	1-162-318-11	CERAMIC	0.001 μ F 10% 500V
C656	1-128-548-11	ELECT	4700 μ F 20% 25V
C657	1-126-926-11	ELECT	1000 μ F 20% 10V
C658	1-126-768-11	ELECT	2200 μ F 20% 16V
C659	1-126-944-11	ELECT	3300 μ F 20% 25V
C660	1-164-644-11	CERAMIC	330PF 10% 500V
C661	1-123-024-21	ELECT	33 μ F 160V
C662	1-107-636-11	ELECT	10 μ F 20% 160V
C663	1-126-948-11	ELECT	100 μ F 20% 35V
C664	1-126-235-11	ELECT	100 μ F 20% 6.3V
C665	1-126-964-11	ELECT	10 μ F 20% 50V
C667	1-126-951-11	ELECT	470 μ F 20% 35V
C668	1-104-664-11	ELECT	47 μ F 20% 25V
C669	1-162-318-11	CERAMIC	0.001 μ F 10% 500V
C670	1-104-664-11	ELECT	47 μ F 20% 25V
C671	1-104-664-11	ELECT	47 μ F 20% 25V
C672	1-104-665-11	ELECT	100 μ F 20% 25V
C673	1-104-664-11	ELECT	47 μ F 20% 25V
C674	1-104-664-11	ELECT	47 μ F 20% 25V
C675	1-104-664-11	ELECT	47 μ F 20% 25V
C676	1-104-664-11	ELECT	47 μ F 20% 25V
C677	1-125-473-11	ELECT(BLOCK)	1000 μ F 20% 160V
C678	1-107-635-11	ELECT	4.7 μ F 20% 160V
C679	1-164-644-11	CERAMIC	330PF 10% 500V
C680	1-124-903-11	ELECT	1 μ F 20% 50V
C682	1-124-903-11	ELECT	1 μ F 20% 50V
C683	1-107-635-11	ELECT	4.7 μ F 20% 160V
C690	1-126-934-11	ELECT	220 μ F 20% 16V
<CONNECTOR>			
CN606	1-695-915-11	TAB (CONTACT)	



Les composants identifiés par
 une trame et une marque Δ
 sont critiques pour la sécurité.
 Ne les remplacer que par une
 pièce portant le numéro spécifié.

The components identified by
 shading and mark Δ are critical
 for safety.
 Replace only with part number
 specified.

REF. NO.	PART NO.	DESCRIPTION	REMARK
CN615	1-695-915-11	TAB (CONTACT)	
CN616	* 1-564-507-11	PLUG, CONNECTOR 4P	
CN617	* 1-580-843-11	PIN, CONNECTOR (POWER)	
CN624	* 1-564-507-11	PLUG, CONNECTOR 4P	
CN625	* 1-564-513-11	PLUG, CONNECTOR 10P	
CN626	* 1-564-506-11	PLUG, CONNECTOR 3P	
CN653	* 1-564-507-11	PLUG, CONNECTOR 4P	
CN681	* 1-573-986-11	PIN, CONNECTOR (PC BOARD) 5P	

<DIODE>

D601	Δ 8-719-052-29	DIODE 1N4SB60	
D604	8-719-911-19	DIODE 1SS119-25	
D605	8-719-911-19	DIODE 1SS119-25	
D606	8-719-911-19	DIODE 1SS119-25	
D607	8-719-911-19	DIODE 1SS119-25	
D608	8-719-911-19	DIODE 1SS119-25	
D609	8-719-911-19	DIODE 1SS119-25	
D610	8-719-911-19	DIODE 1SS119-25	
D611	8-719-911-19	DIODE 1SS119-25	
D651	8-719-052-91	DIODE D4SBS4-F	
D655	8-719-052-92	DIODE D10SBS4F	
D656	8-719-022-97	DIODE D2S4MF	
D657	8-719-022-97	DIODE D2S4MF	
D658	8-719-022-97	DIODE D2S4MF	
D659	8-719-022-97	DIODE D2S4MF	
D660	8-719-052-86	DIODE D2L40-TA	
D661	8-719-052-86	DIODE D2L40-TA	
D662	8-719-052-31	DIODE D1NL40-TR2	
D663	8-719-052-31	DIODE D1NL40-TR2	
D664	8-719-510-26	DIODE D1NL20	
D665	8-719-911-19	DIODE 1SS119-25	
D666	8-719-110-58	DIODE RD22ESB3	
D667	8-719-110-22	DIODE RD11ESB2	
D669	8-719-911-19	DIODE 1SS119-25	
D670	8-719-110-41	DIODE RD15ESB2	
D671	8-719-911-19	DIODE 1SS119-25	
D672	8-719-109-54	DIODE RD2.2ESB2	
D673	8-719-110-49	DIODE RD18ESB2	
D674	8-719-911-19	DIODE 1SS119-25	
D675	8-719-109-85	DIODE RD5.1ESB2	
D676	8-719-911-19	DIODE 1SS119-25	
D677	8-719-911-19	DIODE 1SS119-25	
D678	8-719-911-19	DIODE 1SS119-25	
D679	8-719-911-19	DIODE 1SS119-25	
D680	8-719-200-82	DIODE 11ES2	
D681	8-719-200-82	DIODE 11ES2	
D682	8-719-200-82	DIODE 11ES2	
D683	8-719-200-82	DIODE 11ES2	
D685	8-719-911-19	DIODE 1SS119-25	
D686	8-719-911-19	DIODE 1SS119-25	
D687	8-719-109-51	DIODE RD2.0ESB2	
D688	8-719-911-19	DIODE 1SS119-25	
D689	8-719-911-19	DIODE 1SS119-25	
D690	8-719-109-89	DIODE RD5.6ESB2	
D691	8-719-911-19	DIODE 1SS119-25	
D693	8-719-911-19	DIODE 1SS119-25	

<FUSE>

F601	Δ 1-576-193-11	FUSE (6.3A/125V)	
	1-533-223-11	CLIP, FUSE ; F601	

<FERRITE BEAD>

FB651	1-410-396-41	FERRITE BEAD INDUCTOR 0.45μH	
FB652	1-410-396-41	FERRITE BEAD INDUCTOR 0.45μH	

REF. NO.	PART NO.	DESCRIPTION	REMARK
		<IC>	

IC651	Δ 1-810-051-11	POWER MODULE DM-48	
IC652	8-759-701-79	IC NJM7812FA	

<COIL>

L651	1-403-588-11	CIL, CHOKE 22μH	
L652	1-403-588-11	CIL, CHOKE 22μH	
L653	1-412-519-11	INDUCTOR 3.3μH	
L654	1-403-588-11	CIL, CHOKE 22μH	
L655	1-403-588-11	CIL, CHOKE 22μH	
L656	1-412-519-11	INDUCTOR 3.3μH	
L657	1-403-588-11	CIL, CHOKE 22μH	
L658	1-403-588-11	CIL, CHOKE 22μH	

<TRANSISTOR>

Q601	8-729-019-49	TRANSISTOR 2SC4834M	
Q602	8-729-019-49	TRANSISTOR 2SC4834M	
Q651	8-729-820-82	TRANSISTOR 2SA1208-S	
Q652	8-729-119-76	TRANSISTOR 2SA1175-HFE	
Q653	8-729-230-45	TRANSISTOR 2SC2458-YGR	
Q654	8-729-119-76	TRANSISTOR 2SA1175-HFE	
Q655	8-729-230-45	TRANSISTOR 2SC2458-YGR	
Q656	8-729-119-76	TRANSISTOR 2SA1175-HFE	
Q657	8-729-119-78	TRANSISTOR 2SC2785-HFE	
Q658	8-729-119-76	TRANSISTOR 2SA1175-HFE	
Q659	8-729-119-76	TRANSISTOR 2SA1175-HFE	
Q660	8-729-119-76	TRANSISTOR 2SA1175-HFE	
Q661	8-729-119-76	TRANSISTOR 2SA1175-HFE	
Q662	8-729-119-76	TRANSISTOR 2SA1175-HFE	
Q663	8-729-119-76	TRANSISTOR 2SA1175-HFE	

<RESISTOR>

R602	Δ 1-219-236-91	SOLID	2.2M	20%	1/2W	
R603	Δ 1-205-997-11	WIREWOUND	2.2	5%	10W	
R604	Δ 1-247-891-91	CARBON	330K	5%	1/4W	
R605	Δ 1-247-891-91	CARBON	330K	5%	1/4W	
R606	Δ 1-202-933-61	FUSIBLE	0.1	10%	1/2W	F
R607	1-247-891-00	CARBON	330K	5%	1/4W	
R608	1-247-891-00	CARBON	330K	5%	1/4W	
R609	1-216-369-00	METAL OXIDE	1	5%	2W	F
R610	1-247-891-00	CARBON	330K	5%	1/4W	
R611	1-247-891-00	CARBON	330K	5%	1/4W	
R612	1-216-369-00	METAL OXIDE	1	5%	2W	F
R613	1-247-791-91	CARBON	22	5%	1/4W	
R614	1-247-791-91	CARBON	22	5%	1/4W	
R615	1-247-791-91	CARBON	22	5%	1/4W	
R616	1-247-791-91	CARBON	22	5%	1/4W	
R631	1-247-863-91	CARBON	22K	5%	1/4W	
R632	1-247-807-31	CARBON	100	5%	1/4W	
R633	1-247-807-31	CARBON	100	5%	1/4W	
R634	1-249-417-11	CARBON	1K	5%	1/4W	
R635	1-249-425-11	CARBON	4.7K	5%	1/4W	
R636	1-249-413-11	CARBON	470	5%	1/4W	
R651	1-216-370-11	METAL OXIDE	1.2	5%	2W	F
R653	1-249-418-11	CARBON	1.2K	5%	1/4W	F
R654	1-215-473-00	METAL	150K	1%	1/4W	
R655	1-249-441-11	CARBON	100K	5%	1/4W	
R656	1-216-369-00	METAL OXIDE	1	5%	2W	F
R657	1-249-429-11	CARBON	10K	5%	1/4W	
R658	1-247-883-00	CARBON	150K	5%	1/4W	
R659	1-249-417-11	CARBON	1K	5%	1/4W	F
R660	1-249-417-11	CARBON	1K	5%	1/4W	
R661	1-215-471-00	METAL	120K	1%	1/4W	
R662	Δ 1-215-452-91	METAL	20K	1%	1/4W	
R664	1-249-429-11	CARBON	10K	5%	1/4W	
R665	1-249-425-11	CARBON	4.7K	5%	1/4W	

The components identified by shading and mark Δ are critical for safety. Replace only with part number specified.

Les composants identifiés par une trame et une marque Δ sont critiques pour la sécurité. Ne les remplacer que par une pièce portant le numéro spécifié.



REF. NO.	PART NO.	DESCRIPTION	REMARK
R666	1-249-429-11	CARBON 10K 5%	1/4W
R667	1-249-429-11	CARBON 10K 5%	1/4W
R670	1-247-895-91	CARBON 470K 5%	1/4W
R672	1-247-807-31	CARBON 100 5%	1/4W
R673	1-249-423-11	CARBON 3.3K 5%	1/4W
R674	1-249-413-11	CARBON 470 5%	1/4W
R675	1-249-429-11	CARBON 10K 5%	1/4W
R676	1-249-421-11	CARBON 2.2K 5%	1/4W
R677	1-249-417-11	CARBON 1K 5%	1/4W
R678	1-249-423-11	CARBON 3.3K 5%	1/4W
R679	1-249-423-11	CARBON 3.3K 5%	1/4W
R680	1-249-413-11	CARBON 470 5%	1/4W
R681	1-249-425-11	CARBON 4.7K 5%	1/4W
R682	1-249-403-11	CARBON 68 5%	1/4W
R683	1-249-417-11	CARBON 1K 5%	1/4W
R684	1-249-417-11	CARBON 1K 5%	1/4W
R685	1-247-863-91	CARBON 22K 5%	1/4W
R686	1-249-429-11	CARBON 10K 5%	1/4W
R687	1-249-423-11	CARBON 3.3K 5%	1/4W
R688	1-249-423-11	CARBON 3.3K 5%	1/4W
R689	1-249-429-11	CARBON 10K 5%	1/4W
R690	1-247-863-91	CARBON 22K 5%	1/4W
R691	1-249-417-11	CARBON 1K 5%	1/4W
R693	1-249-425-11	CARBON 4.7K 5%	1/4W
R694	1-249-425-11	CARBON 4.7K 5%	1/4W
R695	1-249-429-11	CARBON 10K 5%	1/4W
R697	1-249-413-11	CARBON 470 5%	1/4W
R698	1-249-429-11	CARBON 10K 5%	1/4W
R699	1-249-417-11	CARBON 1K 5%	1/4W
<RELAY>			
RY601	Δ 1-755-032-11	RELAY	
RY602	Δ 1-755-032-11	RELAY	
<TRANSFORMER>			
T601	Δ 1-427-850-11	TRANSFORMER, LINE FILTER	
T602	Δ 1-427-863-11	TRANSFORMER, CONVERTER (PIT)	
T603	Δ 1-427-865-11	TRANSFORMER, POWER	
T604	Δ 1-427-864-11	TRANSFORMER, CONVERTER (PRT)	
T605	Δ 1-427-850-11	TRANSFORMER, LINE FILTER	
<CAPACITOR>			
C701	1-104-664-11	ELECT 47 μ F 20%	25V
C702	1-107-662-11	ELECT 22 μ F 20%	250V
C703	1-161-754-00	CERAMIC 0.001 μ F 10%	2KV
C704	1-126-768-11	ELECT 2200 μ F 20%	16V
C705	1-102-050-00	CERAMIC 0.01 μ F	500V
C706	1-102-965-00	CERAMIC 39PF 5%	50V
C707	1-102-129-00	CERAMIC 0.01 μ F 10%	50V
C708	1-104-664-11	ELECT 47 μ F 20%	25V
C709	1-107-651-11	ELECT 4.7 μ F 20%	250V
C710	1-102-157-00	CERAMIC 560PF 10%	500V
C714	1-162-115-00	CERAMIC 330PF 10%	2KV
<CONNECTOR>			
CN701	* 1-508-784-00	PIN, CONNECTOR (5mm PITCH) 1P	
CN702	* 1-564-510-11	PLUG, CONNECTOR 7P	
CN703	* 1-564-512-11	PLUG, CONNECTOR 9P	

REF. NO.	PART NO.	DESCRIPTION	REMARK
CN704	* 1-564-512-11	PLUG, CONNECTOR 9P	
CN705	* 1-564-511-11	PLUG, CONNECTOR 8P	
CN706	1-695-915-11	TAB (CONTACT)	
CN708	Δ 1-251-179-11	SOCKET, PICTURE TUBE	
CN709	* 1-564-506-11	PLUG, CONNECTOR 3P	
<DIODE>			
D701	8-719-911-19	DIODE 1SS119-25	
D702	8-719-911-19	DIODE 1SS119-25	
D703	8-719-911-19	DIODE 1SS119-25	
D704	8-719-110-36	DIODE RD13ESB2	
D705	8-719-987-87	DIODE ERA85-009	
D706	8-719-911-19	DIODE 1SS119-25	
D707	8-719-110-36	DIODE RD13ESB2	
D708	8-719-901-83	DIODE 1SS83	
D710	8-719-109-89	DIODE RD5.6ESB2	
D711	8-719-911-19	DIODE 1SS119-25	
D713	8-719-510-48	DIODE D1N20R	
D715	8-719-901-83	DIODE 1SS83	
D716	8-719-110-36	DIODE RD13ESB2	
D717	8-719-110-36	DIODE RD13ESB2	
<IC>			
IC701	8-759-168-72	IC TDA6101Q	
<COIL>			
L701	1-408-429-00	INDUCTOR 470 μ H	
<NEON LAMP>			
NL701	1-519-108-99	LAMP, NEON	
<TRANSISTOR>			
Q701	8-729-119-76	TRANSISTOR 2SA1175-HFE	
<RESISTOR>			
R701	1-215-411-00	METAL 390	1% 1/4W
R702	1-215-414-00	METAL 510	1% 1/4W
R704	1-202-847-00	SOLID 560K	20% 1/2W
R706	1-249-407-11	CARBON 150	5% 1/4W
R707	1-215-423-00	METAL 1.2K	1% 1/4W
R708	1-202-883-11	SOLID 680K	20% 1/2W
R709	1-215-437-00	METAL 4.7K	1% 1/4W
R710	1-215-427-00	METAL 1.8K	1% 1/4W
R711	1-215-427-00	METAL 1.8K	1% 1/4W
R712	1-215-903-11	METAL OXIDE 68K	5% 2W F
R713	1-202-818-00	SOLID 1K	20% 1/2W
R714	1-202-818-00	SOLID 1K	20% 1/2W
R715	1-249-436-11	CARBON 39K	5% 1/4W
R716	1-249-437-11	CARBON 47K	5% 1/4W
R718	1-249-417-11	CARBON 1K	5% 1/4W
R719	1-247-807-31	CARBON 100	5% 1/4W
R720	1-249-437-11	CARBON 47K	5% 1/4W
R721	1-202-549-00	SOLID 100	20% 1/2W
R722	1-202-549-00	SOLID 100	20% 1/2W
<SPARK GAP>			
SG701	1-519-422-11	GAP, SPARK	
SG702	1-519-422-11	GAP, SPARK	
SG703	1-519-422-11	GAP, SPARK	



Les composants identifiés par une trame et une marque Δ sont critiques pour la sécurité. Ne les remplacer que par une pièce portant le numéro spécifié.

The components identified by shading and mark Δ are critical for safety. Replace only with part number specified.

REF. NO.	PART NO.	DESCRIPTION	REMARK
* A-1331-409-A CG BOARD, COMPLETE *****			
<CAPACITOR>			
C731	1-161-754-00	CERAMIC 0.001μF 10% 2KV	
C732	1-107-662-11	ELECT 22μF 20% 250V	
C733	1-102-050-00	CERAMIC 0.01μF 500V	
C736	1-126-964-11	ELECT 10μF 20% 50V	
C738	1-107-651-91	ELECT 4.7μF 20% 250V	
C739	1-101-888-00	CERAMIC 68PF 5% 50V	
C740	1-126-964-11	ELECT 10μF 20% 50V	
C741	1-102-157-00	CERAMIC 560PF 10% 500V	
C742	1-162-115-00	CERAMIC 330PF 10% 2KV	
<CONNECTOR>			
CN731	* 1-508-784-00	PIN, CONNECTOR (5mm PITCH) 1P.	
CN732	* 1-564-512-11	PLUG, CONNECTOR 9P	
CN733	* 1-564-512-11	PLUG, CONNECTOR 9P	
CN734	* 1-564-511-11	PLUG, CONNECTOR 8P	
CN735	* 1-564-509-11	PLUG, CONNECTOR 6P	
CN736	1-695-915-11	TAB (CONTACT)	
CN738	A 1-251-179-11	SOCKET, PICTURE TUBE	
<DIODE>			
D731	8-719-110-36	DIODE RD13ESB2	
D732	8-719-901-83	DIODE 1SS83	
D735	8-719-901-83	DIODE 1SS83	
D736	8-719-510-48	DIODE D1N20R	
D737	8-719-110-36	DIODE RD13ESB2	
<IC>			
IC731	8-759-168-72	IC TDA6101Q	
<COIL>			
L731	1-408-429-00	INDUCTOR 470μH	
<NEON LAMP>			
NL731	1-519-108-99	LAMP, NEON	
<RESISTOR>			
R731	1-202-847-00	SOLID 560K 20% 1/2W	
R733	1-202-883-11	SOLID 680K 20% 1/2W	
R734	1-202-818-00	SOLID 1K 20% 1/2W	
R735	1-249-407-11	CARBON 150 5% 1/4W	
R736	1-249-441-11	CARBON 100K 5% 1/4W	
R737	1-202-818-00	SOLID 1K 20% 1/2W	
R738	1-202-549-00	SOLID 100 20% 1/2W	
R739	1-215-420-00	METAL 910 1% 1/4W	
R740	1-215-427-00	METAL 1.8K 1% 1/4W	
R741	1-249-437-11	CARBON 47K 5% 1/4W	
R742	1-215-903-11	METAL OXIDE 68K 5% 2W F	
<SPARK GAP>			
SG731	1-519-422-11	GAP, SPARK	
SG732	1-519-422-11	GAP, SPARK	
SG733	1-519-422-11	GAP, SPARK	

REF. NO.	PART NO.	DESCRIPTION	REMARK
* A-1331-410-A CB BOARD, COMPLETE *****			
<CAPACITOR>			
C761	1-161-754-00	CERAMIC 0.001μF 10% 2KV	
C762	1-107-662-11	ELECT 22μF 20% 250V	
C763	1-102-050-00	CERAMIC 0.01μF 500V	
C766	1-107-651-11	ELECT 4.7μF 20% 250V	
C769	1-101-888-00	CERAMIC 68PF 5% 50V	
C770	1-126-964-11	ELECT 10μF 20% 50V	
C771	1-102-157-00	CERAMIC 560PF 10% 500V	
C772	1-162-115-00	CERAMIC 330PF 10% 2KV	
<CONNECTOR>			
CN761	* 1-508-784-00	PIN, CONNECTOR (5mm PITCH) 1P	
CN762	* 1-564-512-11	PLUG, CONNECTOR 9P	
CN763	* 1-564-509-11	PLUG, CONNECTOR 6P	
CN766	1-695-915-11	TAB (CONTACT)	
CN768	A 1-251-179-11	SOCKET, PICTURE TUBE	
<DIODE>			
D761	8-719-110-36	DIODE RD13ESB2	
D762	8-719-901-83	DIODE 1SS83	
D763	8-719-911-19	DIODE 1SS119-25	
D764	8-719-110-36	DIODE RD13ESB2	
D765	8-719-110-36	DIODE RD13ESB2	
D767	8-719-901-83	DIODE 1SS83	
D768	8-719-510-48	DIODE D1N20R	
D769	8-719-110-36	DIODE RD13ESB2	
<IC>			
IC761	8-759-168-72	IC TDA6101Q	
<COIL>			
L761	1-408-429-00	INDUCTOR 470μH	
<NEON LAMP>			
NL760	1-519-108-99	LAMP, NEON	
<RESISTOR>			
R761	1-202-847-00	SOLID 560K 20% 1/2W	
R763	1-202-883-11	SOLID 680K 20% 1/2W	
R764	1-202-818-00	SOLID 1K 20% 1/2W	
R767	1-202-818-00	SOLID 1K 20% 1/2W	
R768	1-202-549-00	SOLID 100 20% 1/2W	
R769	1-215-421-00	METAL 1K 1% 1/4W	
R770	1-249-426-11	CARBON 5.6K 5% 1/4W	
R771	1-215-427-00	METAL 1.8K 1% 1/4W	
R773	1-215-903-11	METAL OXIDE 68K 5% 2W F	
R774	1-249-407-11	CARBON 150 5% 1/4W	
R775	1-202-549-00	SOLID 100 20% 1/2W	
<SPARK GAP>			
SG761	1-519-422-11	GAP, SPARK	
SG762	1-519-422-11	GAP, SPARK	
SG763	1-519-422-11	GAP, SPARK	

The components identified by shading and mark Δ are critical for safety. Replace only with part number specified.

Les composants identifiés par une trame et une marque Δ sont critiques pour la sécurité. Ne les remplacer que par une pièce portant le numéro spécifié.



REF. NO.	PART NO.	DESCRIPTION	REMARK
* A-1341-885-A E BOARD, COMPLETE *****			
	4-365-216-00	SPACER, MICA	
	4-382-854-11	SCREW (M3X10), P, SW (+)	
<CAPACITOR>			
C801	1-110-626-11	ELECT 330μF	20% 160V
C802	1-163-117-00	CERAMIC CHIP 100PF	5% 50V
C803	1-110-626-11	ELECT 330μF	20% 160V
C805	1-136-173-00	FILM 0.47μF	5% 50V
C806	1-102-030-00	CERAMIC 330PF	10% 500V
C807	1-106-387-00	MYLAR 0.068μF	10% 200V
C808	1-107-636-11	ELECT 10μF	20% 160V
C809	1-104-664-11	ELECT 47μF	20% 25V
C810	1-130-481-00	FILM 0.0068μF	5% 50V
C811	1-137-475-11	FILM 2.2μF	10% 250V
C812	1-128-551-11	ELECT 22μF	20% 50V
C814	1-124-122-11	ELECT 100μF	20% 50V
C815	1-162-114-00	CERAMIC 0.0047μF	2KV
C818	Δ 1-109-833-11	FILM 0.0145μF	5% 18KV
C819	1-130-489-00	FILM 0.033μF	5% 50V
C820	1-124-902-00	ELECT 0.47μF	20% 50V
C823	1-136-601-11	FILM 0.01μF	5% 630V
C824	1-126-964-11	ELECT 10μF	20% 50V
C825	1-162-318-11	CERAMIC 0.001μF	10% 500V
C826	1-130-467-00	FILM 470PF	5% 50V
C827	1-107-651-11	ELECT 4.7μF	20% 250V
C828	1-111-036-11	ELECT 470μF	20% 16V
C830	1-107-368-11	FILM 0.047μF	10% 200V
C831	1-126-934-11	ELECT 220μF	20% 16V
C832	1-124-927-11	ELECT 4.7μF	20% 50V
C901	1-163-117-00	CERAMIC CHIP 100PF	5% 50V
C902	1-137-370-11	FILM 0.01μF	5% 50V
C903	1-137-431-11	FILM 560PF	5% 50V
C904	1-137-358-11	FILM 0.0001μF	5% 50V
C905	1-104-665-11	ELECT 100μF	20% 25V
C906	1-137-370-11	FILM 0.01μF	5% 50V
C907	1-104-665-11	ELECT 100μF	20% 25V
C908	1-137-361-11	FILM 330PF	5% 50V
C909	1-124-903-11	ELECT 1μF	20% 50V
C911	1-163-117-00	CERAMIC CHIP 100PF	5% 50V
C912	1-124-903-11	ELECT 1μF	20% 50V
C913	1-124-903-11	ELECT 1μF	20% 50V
C915	1-163-105-00	CERAMIC CHIP 33PF	5% 50V
C916	1-124-927-11	ELECT 4.7μF	20% 50V
C917	1-126-964-11	ELECT 10μF	20% 50V
C918	1-137-364-11	FILM 0.001μF	5% 50V
C919	1-126-964-11	ELECT 10μF	20% 50V
C920	1-124-902-00	ELECT 0.47μF	20% 50V
C921	1-126-964-11	ELECT 10μF	20% 50V
C923	1-126-964-11	ELECT 10μF	20% 50V
C924	1-126-940-11	ELECT 330μF	20% 16V
C925	1-137-372-11	FILM 0.022μF	5% 50V
C926	1-104-665-11	ELECT 100μF	20% 25V
C927	1-137-364-11	FILM 0.001μF	5% 50V
C929	1-137-416-11	FILM 0.01μF	10% 100V
C930	1-137-364-11	FILM 0.001μF	5% 50V
C931	1-126-967-11	ELECT 47μF	20% 50V
C932	1-124-903-11	ELECT 1μF	20% 50V
C934	1-137-370-11	FILM 0.01μF	5% 50V
C935	1-137-399-11	FILM 0.1μF	10% 100V
C936	1-126-964-11	ELECT 10μF	20% 50V
C937	1-126-964-11	ELECT 10μF	20% 50V
C938	1-126-940-11	ELECT 330μF	20% 16V
C939	1-126-964-11	ELECT 10μF	20% 50V
C940	1-104-663-11	ELECT 33μF	20% 25V

REF. NO.	PART NO.	DESCRIPTION	REMARK
C941	1-126-964-11	ELECT 10μF	20% 50V
C942	1-104-663-11	ELECT 33μF	20% 25V
C943	1-128-551-11	ELECT 22μF	20% 50V
C944	1-126-964-11	ELECT 10μF	20% 50V
C945	1-126-964-11	ELECT 10μF	20% 50V
C946	1-124-925-11	ELECT 2.2μF	20% 50V
C947	1-104-665-11	ELECT 100μF	20% 25V
C948	1-104-665-11	ELECT 100μF	20% 25V
C949	1-126-964-11	ELECT 10μF	20% 50V
C950	1-126-964-11	ELECT 10μF	20% 50V
C951	1-109-889-11	ELECT 1μF	20% 50V
C955	1-126-964-11	ELECT 10μF	20% 50V
C980	1-137-368-11	FILM 0.0047μF	5% 50V
<CHIP CONDUCTOR>			
CJ901	1-216-295-91	CONDUCTOR, CHIP	
CJ902	1-216-295-91	CONDUCTOR, CHIP	
<CONNECTOR>			
CN802	* 1-564-510-11	PLUG, CONNECTOR 7P	
CN805	1-695-915-11	TAB (CONTACT)	
CN827	* 1-573-963-11	PIN, CONNECTOR (PC BOARD) 3P	
CN851	* 1-564-509-11	PLUG, CONNECTOR 6P	
CN881	* 1-573-986-11	PIN, CONNECTOR (PC BOARD) 5P	
CN882	* 1-691-135-11	PIN, CONNECTOR (PC BOARD) 4P	
CN884	* 1-573-964-11	PIN, CONNECTOR (PC BOARD) 6P	
CN885	* 1-506-371-00	PIN, CONNECTOR 2P	
CN886	* 1-506-371-00	PIN, CONNECTOR 2P	
CN904	* 1-564-507-11	PLUG, CONNECTOR 4P	
<DIODE>			
D801	8-719-109-85	DIODE RD5.1ESB2	
D802	8-719-404-46	DIODE MA110	
D803	8-719-971-20	DIODE ERC38-06	
D804	8-719-908-03	DIODE GP08D	
D805	8-719-945-80	DIODE ERC06-15S	
D806	8-719-911-19	DIODE 1SS119-25	
D807	8-719-945-80	DIODE ERC06-15S	
D808	8-719-500-71	DIODE D8LC40	
D809	8-719-911-19	DIODE 1SS119-25	
D810	8-719-945-80	DIODE ERC06-15S	
D811	8-719-920-67	DIODE ERC91-02	
D812	8-719-404-46	DIODE MA110	
D814	8-719-920-67	DIODE ERC91-02	
D816	8-719-404-46	DIODE MA110	
D817	8-719-404-46	DIODE MA110	
D818	8-719-404-46	DIODE MA110	
D819	8-719-105-82	DIODE RD5.1M-B2	
D901	8-719-404-46	DIODE MA110	
D902	8-719-404-46	DIODE MA110	
D904	8-719-404-46	DIODE MA110	
D905	8-719-404-46	DIODE MA110	
D907	8-719-404-46	DIODE MA110	
D908	8-719-105-82	DIODE RD5.1M-B2	
D909	8-719-302-43	DIODE EL1Z	
D911	8-719-105-82	DIODE RD5.1M-B2	
D912	8-719-105-82	DIODE RD5.1M-B2	
D913	8-719-404-46	DIODE MA110	
D914	8-719-404-46	DIODE MA110	
D915	8-719-404-46	DIODE MA110	
D916	8-719-105-57	DIODE RD3.9M-B1	
D917	8-719-404-46	DIODE MA110	
D918	8-719-404-46	DIODE MA110	
D919	8-719-106-81	DIODE RD13M-B3	
D920	8-759-157-40	IC uPC574J	
D921	8-719-106-81	DIODE RD13M-B3	



• The components identified by in this manual have been carefully factory-selected for each set in order to satisfy regulations regarding X-ray radiation. Should replacement be required, replace only with the value originally used.

Les composants identifiés par une trame et une marque sont critiques pour la sécurité. Ne les remplacer que par une pièce portant le numéro spécifié.

The components identified by shading and mark are critical for safety. Replace only with part number specified.

REF. NO.	PART NO.	DESCRIPTION	REMARK	REF. NO.	PART NO.	DESCRIPTION	REMARK
D922	8-719-404-46	DIODE MA110		R807	1-260-325-11	CARBON 560	5% 1/2W
D923	8-719-404-46	DIODE MA110		<input checked="" type="checkbox"/> R808	<input checked="" type="checkbox"/> A	CARBON	1/4W F
D924	8-719-404-46	DIODE MA110		<input checked="" type="checkbox"/> R809	<input checked="" type="checkbox"/> A	CARBON	1/4W F
D925	8-719-105-45	DIODE RD3.3M-B1		R810	1-249-427-11	CARBON 6.8K	5% 1/4W F
D926	8-719-404-46	DIODE MA110		R811	1-216-097-91	METAL GLAZE 100K	5% 1/10W
D927	8-759-701-79	DIODE NJM7812FA		R812	1-216-395-00	METAL OXIDE 3.3	5% 3W F
		<FERRITE BEAD>		R813	1-216-484-00	METAL OXIDE 3.9K	5% 3W F
FB001	1-410-396-41	FERRITE BEAD INDUCTOR 0.45μH		R814	1-215-919-11	METAL OXIDE 2.2K	5% 3W F
		<IC>		R816	1-216-051-00	METAL GLAZE 1.2K	5% 1/10W
IC901	8-759-133-90	IC μPC339C		R817	1-216-395-00	METAL OXIDE 3.3	5% 3W F
IC902	8-759-133-90	IC μPC339C		R818	1-249-405-11	CARBON 100	5% 1/4W F
IC903	8-759-711-28	IC NJM2058D		R819	1-216-083-00	METAL GLAZE 27K	5% 1/10W
IC904	8-759-634-51	IC M5218AP		R820	1-215-905-11	METAL OXIDE 10	5% 3W F
IC905	8-759-929-65	IC LM7912CT		R821	1-216-073-00	METAL GLAZE 10K	5% 1/10W
IC906	8-759-701-79	IC NJM7812FA		R822	1-215-928-11	METAL OXIDE 68K	5% 3W F
		<COIL>		R823	1-216-047-91	METAL GLAZE 820	5% 1/10W
L801	1-406-665-11	COIL, CHOKe 100μH		R825	1-215-928-11	METAL OXIDE 68K	5% 3W F
L802	1-406-665-11	COIL, CHOKe 100μH		R826	1-216-033-00	METAL GLAZE 220	5% 1/10W
L803	1-422-613-11	COIL, AIR CORE		R830	1-215-928-11	METAL OXIDE 68K	5% 3W F
L804	1-411-286-11	COIL, CHOKe 220μH		R831	1-215-919-11	METAL OXIDE 2.2K	5% 3W F
L901	1-408-416-00	INDUCTOR 39μH		R832	1-216-049-91	METAL GLAZE 1K	5% 1/10W
L902	1-408-416-00	INDUCTOR 39μH		R835	1-249-474-11	CARBON 1	5% 1/2W F
		<NEON LAMP>		R836	1-202-818-00	SOLID 1K	20% 1/2W
NL802	1-519-108-99	LAMP, NEON		R837	1-215-870-11	METAL OXIDE 1.5K	5% 1W F
		<TRANSISTOR>		R838	1-247-807-31	CARBON 100	5% 1/4W
Q801	8-729-119-80	TRANSISTOR 2SC2688-LK		R839	1-249-429-11	CARBON 10K	5% 1/4W F
Q802	8-729-119-80	TRANSISTOR 2SC2688-LK		R841	1-216-491-11	METAL OXIDE 56K	5% 3W F
Q803	8-729-122-12	TRANSISTOR 2SA1221-L		R843	1-202-549-00	SOLID 100	20% 1/2W
Q806	8-729-805-07	TRANSISTOR 2SD1887-CA		R844	1-216-491-11	METAL OXIDE 56K	5% 3W F
Q807	8-729-120-28	TRANSISTOR 2SC1623-L5L6		R846	1-202-838-00	SOLID 100K	20% 1/2W
Q808	8-729-024-30	TRANSISTOR IRF1640LF		R847	1-216-073-00	METAL GLAZE 10K	5% 1/10W
Q809	8-729-823-81	TRANSISTOR 2SC4632LS-CB7		R849	1-247-863-91	CARBON 22K	5% 1/4W
Q810	8-729-231-55	TRANSISTOR 2SC2878-AB		R850	1-216-081-00	METAL GLAZE 22K	5% 1/10W
Q811	8-729-823-81	TRANSISTOR 2SC4632LS-CB7		R851	1-216-667-11	METAL CHIP 4.7K	0.50% 1/10W
Q813	8-729-216-22	TRANSISTOR 2SA1162-G		R852	1-208-806-11	METAL CHIP 10K	0.50% 1/10W
Q901	8-729-120-28	TRANSISTOR 2SC1623-L5L6		R854	1-249-381-11	CARBON 1	5% 1/4W F
Q902	8-729-140-93	TRANSISTOR 2SB733-34		R855	1-208-822-11	METAL CHIP 47K	0.50% 1/10W
Q903	8-729-140-96	TRANSISTOR 2SD774-34		R856	1-208-822-11	METAL CHIP 47K	0.50% 1/10W
Q904	8-729-120-28	TRANSISTOR 2SC1623-L5L6		R857	1-218-755-11	METAL CHIP 130K	0.50% 1/10W
Q905	8-729-120-28	TRANSISTOR 2SC1623-L5L6		R858	1-216-676-11	METAL CHIP 11K	0.50% 1/10W
Q906	8-729-120-28	TRANSISTOR 2SC1623-L5L6		R901	1-216-065-00	METAL GLAZE 4.7K	5% 1/10W
Q907	8-729-231-55	TRANSISTOR 2SC2878-AB		R902	1-216-065-00	METAL GLAZE 4.7K	5% 1/10W
Q908	8-729-120-28	TRANSISTOR 2SC1623-L5L6		R903	1-216-085-00	METAL GLAZE 33K	5% 1/10W
Q909	8-729-120-28	TRANSISTOR 2SC1623-L5L6		R904	1-216-057-00	METAL GLAZE 2.2K	5% 1/10W
Q910	8-729-120-28	TRANSISTOR 2SC1623-L5L6		R905	1-247-739-11	CARBON 100	5% 1/2W F
Q911	8-729-120-28	TRANSISTOR 2SC1623-L5L6		R906	1-247-739-11	CARBON 100	5% 1/2W F
Q912	8-729-216-22	TRANSISTOR 2SA1162-G		R907	1-216-091-00	METAL GLAZE 56K	5% 1/10W
Q913	8-729-900-36	TRANSISTOR DTC124ES		R908	1-216-085-00	METAL GLAZE 33K	5% 1/10W
Q914	8-729-120-28	TRANSISTOR 2SC1623-L5L6		R909	1-216-113-00	METAL GLAZE 470K	5% 1/10W
Q915	8-729-120-28	TRANSISTOR 2SC1623-L5L6		R910	1-216-059-00	METAL GLAZE 2.7K	5% 1/10W
		<RESISTOR>		R911	1-216-059-00	METAL GLAZE 2.7K	5% 1/10W
R801	1-216-041-00	METAL GLAZE 470	5% 1/10W	R912	1-216-073-00	METAL GLAZE 10K	5% 1/10W
R802	1-249-421-11	CARBON 2.2K	5% 1/4W	R913	1-216-077-00	METAL GLAZE 15K	5% 1/10W
R804	1-249-425-11	CARBON 4.7K	5% 1/4W F	R914	1-216-049-91	METAL GLAZE 1K	5% 1/10W
R805	1-216-435-11	METAL OXIDE 2.7K	5% 1W F	R915	1-216-091-00	METAL GLAZE 56K	5% 1/10W
R806	1-249-431-11	CARBON 15K	5% 1/4W F	R916	1-216-065-00	METAL GLAZE 4.7K	5% 1/10W
				R917	1-216-057-00	METAL GLAZE 2.2K	5% 1/10W
				R918	1-216-073-00	METAL GLAZE 10K	5% 1/10W
				R919	1-216-077-00	METAL GLAZE 15K	5% 1/10W
				R920	1-216-113-00	METAL GLAZE 470K	5% 1/10W
				R921	1-216-059-00	METAL GLAZE 2.7K	5% 1/10W
				R922	1-216-073-00	METAL GLAZE 10K	5% 1/10W
				R923	1-216-077-00	METAL GLAZE 15K	5% 1/10W
				R924	1-216-067-00	METAL GLAZE 5.6K	5% 1/10W
				R926	1-216-049-91	METAL GLAZE 1K	5% 1/10W
				R927	1-249-377-11	CARBON 0.47	5% 1/4W F
				R928	1-216-067-00	METAL GLAZE 5.6K	5% 1/10W
				R929	1-216-041-00	METAL GLAZE 470	5% 1/10W

The components identified by shading and mark Δ are critical for safety. Replace only with part number specified.

Les composants identifiés par une trame et une marque Δ sont critiques pour la sécurité. Ne les remplacer que par une pièce portant le numéro spécifié.

The components identified by \square in this manual have been carefully factory-selected for each set in order to satisfy regulations regarding X-ray radiation. Should replacement be required, replace only with the value originally used.



REF. NO.	PART NO.	DESCRIPTION	REMARK
R930	1-216-081-00	METAL GLAZE 22K	5% 1/10W
R931	1-216-059-00	METAL GLAZE 2.7K	5% 1/10W
R932	1-216-059-00	METAL GLAZE 2.7K	5% 1/10W
R933	1-216-081-00	METAL GLAZE 22K	5% 1/10W
R934	1-216-085-00	METAL GLAZE 33K	5% 1/10W
R935	1-216-049-91	METAL GLAZE 1K	5% 1/10W
R936	1-216-065-00	METAL GLAZE 4.7K	5% 1/10W
R937	1-216-049-91	METAL GLAZE 1K	5% 1/10W
R938	1-208-810-11	METAL CHIP 15K	0.50% 1/10W
R939	1-216-073-00	METAL GLAZE 10K	5% 1/10W
R940	1-216-083-00	METAL GLAZE 27K	5% 1/10W
R941	1-216-091-00	METAL GLAZE 56K	5% 1/10W
R942	1-216-049-91	METAL GLAZE 1K	5% 1/10W
R943	1-249-377-11	CARBON 0.47	5% 1/4W F
R944	1-216-689-11	METAL GLAZE 39K	5% 1/10W
R945	1-216-077-00	METAL GLAZE 15K	5% 1/10W
R946	1-216-073-00	METAL GLAZE 10K	5% 1/10W
R947	1-216-025-91	METAL GLAZE 100	5% 1/10W
R948	1-216-051-00	METAL GLAZE 1.2K	5% 1/10W
R950	1-216-049-91	METAL GLAZE 1K	5% 1/10W
R952	1-216-049-91	METAL GLAZE 1K	5% 1/10W
R954	1-214-777-00	METAL 100K	1% 1/4W
R955	1-214-769-00	METAL 47K	1% 1/4W
R956	1-208-806-11	METAL CHIP 10K	0.50% 1/10W
R957	1-218-754-11	METAL CHIP 120K	0.50% 1/10W
R958	1-218-756-11	METAL CHIP 150K	0.50% 1/10W
R959	1-214-757-00	METAL 15K	1% 1/4W
R960	1-216-077-00	METAL GLAZE 15K	5% 1/10W
R961	1-535-303-00	LEAD, JUMPER (5.0mm)	
R962	1-208-806-11	METAL CHIP 10K	0.50% 1/10W
R963	1-214-749-00	METAL 6.8K	1% 1/4W
R964	1-214-757-00	METAL 15K	1% 1/4W
R965	1-216-097-91	METAL GLAZE 100K	5% 1/10W
R966	1-214-757-00	METAL 15K	1% 1/4W
R967	1-216-025-91	METAL GLAZE 100	5% 1/10W
R968	1-214-751-00	METAL 8.2K	1% 1/4W
R969	1-214-731-00	METAL 1.2K	1% 1/4W
R970	1-214-757-00	METAL 15K	1% 1/4W
R971	1-216-121-91	METAL GLAZE 1M	5% 1/10W
R972	1-216-699-11	METAL CHIP 100K	0.50% 1/10W
R973	1-216-081-00	METAL GLAZE 22K	5% 1/10W
R974	1-216-699-11	METAL CHIP 100K	0.50% 1/10W
R975	1-216-043-91	METAL GLAZE 560	5% 1/10W
R976	1-216-041-00	METAL GLAZE 470	5% 1/10W
R977	1-216-075-00	METAL GLAZE 12K	5% 1/10W
R978	1-216-057-00	METAL GLAZE 2.2K	5% 1/10W
R979	1-216-075-00	METAL GLAZE 12K	5% 1/10W
R980	1-216-081-00	METAL GLAZE 22K	5% 1/10W
R981	1-216-073-00	METAL GLAZE 10K	5% 1/10W
R982	1-216-671-11	METAL CHIP 6.8K	0.50% 1/10W
\square R983 Δ	METAL GLAZE	27K	5% 1/10W
R984	1-216-083-00	METAL GLAZE 27K	5% 1/10W
R985	1-208-812-11	METAL CHIP 18K	0.50% 1/10W
R986	1-216-049-91	METAL GLAZE 1K	5% 1/10W
R987	1-216-059-00	METAL GLAZE 2.7K	5% 1/10W
\square R988 Δ	METAL GLAZE	2.7K	5% 1/10W
R989	1-216-462-00	METAL OXIDE 8.2K	5% 2W F
R990	1-215-897-11	METAL OXIDE 6.8K	5% 2W F
R991	1-208-803-11	METAL CHIP 7.5K	0.50% 1/10W
R992	1-249-431-11	CARBON 15K	5% 1/4W
R993	1-249-431-11	CARBON 15K	5% 1/4W
R994	1-247-807-31	CARBON 100	5% 1/4W
R995	1-216-677-11	METAL CHIP 12K	0.50% 1/10W
R996	1-208-814-11	METAL CHIP 22K	0.50% 1/10W
R997	1-216-065-00	METAL GLAZE 4.7K	5% 1/10W
R998	1-216-073-00	METAL GLAZE 10K	5% 1/10W
R999	1-216-051-00	METAL GLAZE 1.2K	5% 1/10W

REF. NO.	PART NO.	DESCRIPTION	REMARK
<SPARK GAP>			
SG801	1-519-422-11	GAP, SPARK	
<TRANSFORMER>			
T801	Δ 1-453-189-11	TRANSFORMER ASSY, FLYBACK (NX-2631/A4S)	
T802	1-437-209-11	TRANSFORMER, HORIZONTAL DRIVE	
T803	Δ 1-427-980-11	TRANSFORMER, FERRITE (LOT)	

* A-1346-296-A D BOARD, COMPLETE *****			
4-382-854-11 SCREW (M3X10), P, SW (+)			
7-682-652-09 SCREW +PSW 3X16			
<CAPACITOR>			
C1502	1-126-943-11	ELECT 2200 μ F	20% 25V
C1503	1-164-232-11	CERAMIC CHIP 0.01 μ F	10% 50V
C1504	1-126-943-11	ELECT 2200 μ F	20% 25V
C1505	1-136-177-00	FILM 1 μ F	5% 50V
C1506	1-102-228-00	CERAMIC 470PF	10% 500V
C1507	1-164-232-11	CERAMIC CHIP 0.01 μ F	10% 50V
C1508	1-163-117-00	CERAMIC CHIP 100PF	5% 50V
C1509	1-124-122-11	ELECT 100 μ F	20% 50V
C1510	1-137-398-11	FILM 0.068 μ F	10% 100V
C1511	1-137-423-11	FILM 0.15 μ F	10% 100V
C1512	1-137-423-11	FILM 0.15 μ F	10% 100V
C1513	1-163-109-00	CERAMIC CHIP 47PF	5% 50V
C1514	1-163-031-11	CERAMIC CHIP 0.01 μ F	5% 50V
C1516	1-136-177-00	FILM 1 μ F	5% 50V
C1517	1-163-125-00	CERAMIC CHIP 220PF	5% 50V
C1551	1-126-964-11	ELECT 10 μ F	20% 50V
C1603	1-163-117-00	CERAMIC CHIP 100PF	5% 50V
C1604	1-163-117-00	CERAMIC CHIP 100PF	5% 50V
C1605	1-163-117-00	CERAMIC CHIP 100PF	5% 50V
C1606	1-163-117-00	CERAMIC CHIP 100PF	5% 50V
C1607	1-163-117-00	CERAMIC CHIP 100PF	5% 50V
C1608	1-163-117-00	CERAMIC CHIP 100PF	5% 50V
C1611	1-124-122-11	ELECT 100 μ F	20% 50V
C1612	1-104-665-11	ELECT 100 μ F	20% 25V
C1613	1-124-122-11	ELECT 100 μ F	20% 50V
C1615	1-104-665-11	ELECT 100 μ F	20% 25V
C1617	1-124-122-11	ELECT 100 μ F	20% 50V
C1619	1-104-665-11	ELECT 100 μ F	20% 25V
C1620	1-124-122-11	ELECT 100 μ F	20% 50V
C1622	1-104-665-11	ELECT 100 μ F	20% 25V
C1701	1-126-935-11	ELECT 470 μ F	20% 16V
C1702	1-163-809-11	CERAMIC CHIP 0.047 μ F	10% 25V
C1703	1-163-099-00	CERAMIC CHIP 18PF	5% 50V
C1704	1-163-125-00	CERAMIC CHIP 220PF	5% 50V
C1705	1-163-099-00	CERAMIC CHIP 18PF	5% 50V
C1709	1-163-031-11	CERAMIC CHIP 0.01 μ F	5% 50V
C1723	1-163-117-00	CERAMIC CHIP 100PF	5% 50V
C1724	1-163-117-00	CERAMIC CHIP 100PF	5% 50V
C1801	1-124-903-11	ELECT 1 μ F	20% 50V
C1802	1-126-964-11	ELECT 10 μ F	20% 50V
C1803	1-163-809-11	CERAMIC CHIP 0.047 μ F	10% 25V
C1805	1-163-809-11	CERAMIC CHIP 0.047 μ F	10% 25V
C1806	1-163-127-00	CERAMIC CHIP 270PF	5% 50V
C1807	1-163-809-11	CERAMIC CHIP 0.047 μ F	10% 25V
C1808	1-163-809-11	CERAMIC CHIP 0.047 μ F	10% 25V
C1809	1-126-940-11	ELECT 330 μ F	20% 16V
C1810	1-126-940-11	ELECT 330 μ F	20% 16V
C1811	1-163-809-11	CERAMIC CHIP 0.047 μ F	10% 25V
C1812	1-163-809-11	CERAMIC CHIP 0.047 μ F	10% 25V



REF. NO.	PART NO.	DESCRIPTION	REMARK
C1813	1-163-275-11	CERAMIC CHIP 0.001μF 5%	50V
C1814	1-163-809-11	CERAMIC CHIP 0.047μF 10%	25V
C1816	1-163-117-00	CERAMIC CHIP 100PF 5%	50V
C1817	1-163-117-00	CERAMIC CHIP 100PF 5%	50V
C1818	1-163-809-11	CERAMIC CHIP 0.047μF 10%	25V
C1819	1-124-903-11	ELECT 1μF 20%	50V
C1820	1-163-005-11	CERAMIC CHIP 470PF 10%	50V
C1821	1-124-902-00	ELECT 0.47μF 20%	50V
C1822	1-163-005-11	CERAMIC CHIP 470PF 10%	50V
C1823	1-124-903-11	ELECT 1μF 20%	50V
C1824	1-124-903-11	ELECT 1μF 20%	50V
C1825	1-126-967-11	ELECT 47μF 20%	50V
C1826	1-126-967-11	ELECT 47μF 20%	50V
C1827	1-163-809-11	CERAMIC CHIP 0.047μF 10%	25V
C1828	1-163-809-11	CERAMIC CHIP 0.047μF 10%	25V
C1829	1-163-809-11	CERAMIC CHIP 0.047μF 10%	25V
C1830	1-163-809-11	CERAMIC CHIP 0.047μF 10%	25V
C1831	1-126-940-11	ELECT 330μF 20%	16V
C1832	1-126-940-11	ELECT 330μF 20%	16V
C1833	1-163-809-11	CERAMIC CHIP 0.047μF 10%	25V
C1834	1-163-809-11	CERAMIC CHIP 0.047μF 10%	25V
C1835	1-163-809-11	CERAMIC CHIP 0.047μF 10%	25V
C1836	1-163-809-11	CERAMIC CHIP 0.047μF 10%	25V
C1837	1-164-489-11	CERAMIC CHIP 0.22μF 10%	16V
C1838	1-124-122-11	ELECT 100μF 20%	50V
C1839	1-124-122-11	ELECT 100μF 20%	50V
C1840	1-124-903-11	ELECT 1μF 20%	50V
C1841	1-126-967-11	ELECT 47μF 20%	50V
C1842	1-163-117-00	CERAMIC CHIP 100PF 5%	50V
C1843	1-163-117-00	CERAMIC CHIP 100PF 5%	50V
C1844	1-126-967-11	ELECT 47μF 20%	50V
C1845	1-163-809-11	CERAMIC CHIP 0.047μF 10%	25V
C1847	1-163-809-11	CERAMIC CHIP 0.047μF 10%	25V
C1848	1-163-809-11	CERAMIC CHIP 0.047μF 10%	25V
C1849	1-124-122-11	ELECT 100μF 20%	50V
C1850	1-124-122-11	ELECT 100μF 20%	50V
C1851	1-137-399-11	FILM 0.1μF 5%	50V
C1852	1-124-122-11	ELECT 100μF 20%	50V
C1853	1-137-378-11	FILM 0.22μF 5%	50V
C1854	1-124-927-11	ELECT 4.7μF 20%	50V
C1855	1-124-903-11	ELECT 1μF 20%	50V
C1856	1-104-665-11	ELECT 100μF 20%	25V
C1857	1-124-122-11	ELECT 100μF 20%	50V
C1858	1-163-809-11	CERAMIC CHIP 0.047μF 10%	25V
C1859	1-163-809-11	CERAMIC CHIP 0.047μF 10%	25V
C1860	1-163-809-11	CERAMIC CHIP 0.047μF 10%	25V
C1861	1-124-122-11	ELECT 100μF 20%	50V
C1862	1-124-903-11	ELECT 1μF 20%	50V
C1863	1-136-173-00	FILM 0.47μF 5%	50V
C1864	1-124-903-11	ELECT 1μF 20%	50V
C1865	1-124-903-11	ELECT 1μF 20%	50V
C1866	1-126-967-11	ELECT 47μF 20%	50V
<CHIP CONDUCTOR>			
CJ1	1-216-295-91	CONDUCTOR, CHIP	
CJ2	1-216-295-91	CONDUCTOR, CHIP	
CJ3	1-216-295-91	CONDUCTOR, CHIP	
CJ4	1-216-295-91	CONDUCTOR, CHIP	
CJ5	1-216-295-91	CONDUCTOR, CHIP	
CJ6	1-216-295-91	CONDUCTOR, CHIP	
CJ7	1-216-295-91	CONDUCTOR, CHIP	
CJ8	1-216-295-91	CONDUCTOR, CHIP	
CJ9	1-216-295-91	CONDUCTOR, CHIP	
CJ10	1-216-295-91	CONDUCTOR, CHIP	
CJ11	1-216-295-91	CONDUCTOR, CHIP	
CJ12	1-216-295-91	CONDUCTOR, CHIP	
CJ13	1-216-295-91	CONDUCTOR, CHIP	

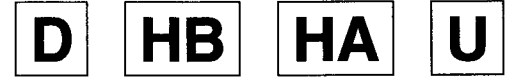
REF. NO.	PART NO.	DESCRIPTION	REMARK
CJ16	1-216-295-91	CONDUCTOR, CHIP	
CJ17	1-216-295-91	CONDUCTOR, CHIP	
CJ18	1-216-295-91	CONDUCTOR, CHIP	
CJ19	1-216-295-91	CONDUCTOR, CHIP	
CJ20	1-216-295-91	CONDUCTOR, CHIP	
CJ21	1-216-295-91	CONDUCTOR, CHIP	
CJ22	1-216-295-91	CONDUCTOR, CHIP	
CJ23	1-216-295-91	CONDUCTOR, CHIP	
CJ24	1-216-295-91	CONDUCTOR, CHIP	
CJ25	1-216-295-91	CONDUCTOR, CHIP	
CJ26	1-216-295-91	CONDUCTOR, CHIP	
CJ27	1-216-295-91	CONDUCTOR, CHIP	
CJ28	1-216-295-91	CONDUCTOR, CHIP	
CJ29	1-216-295-91	CONDUCTOR, CHIP	
CJ30	1-216-295-91	CONDUCTOR, CHIP	
CJ31	1-216-295-91	CONDUCTOR, CHIP	
CJ34	1-216-295-91	CONDUCTOR, CHIP	
CJ35	1-216-295-91	CONDUCTOR, CHIP	
CJ36	1-216-295-91	CONDUCTOR, CHIP	
CJ37	1-216-295-91	CONDUCTOR, CHIP	
CJ38	1-216-295-91	CONDUCTOR, CHIP	
CJ39	1-216-295-91	CONDUCTOR, CHIP	
CJ42	1-216-295-91	CONDUCTOR, CHIP	
CJ43	1-216-295-91	CONDUCTOR, CHIP	
CJ44	1-216-295-91	CONDUCTOR, CHIP	
CJ45	1-216-295-91	CONDUCTOR, CHIP	
CJ46	1-216-295-91	CONDUCTOR, CHIP	
CJ47	1-216-295-91	CONDUCTOR, CHIP	
CJ48	1-216-295-91	CONDUCTOR, CHIP	
CJ50	1-216-295-91	CONDUCTOR, CHIP	
CJ51	1-216-295-91	CONDUCTOR, CHIP	
CJ53	1-216-295-91	CONDUCTOR, CHIP	
CJ54	1-216-295-91	CONDUCTOR, CHIP	
CJ55	1-216-295-91	CONDUCTOR, CHIP	
CJ57	1-216-295-91	CONDUCTOR, CHIP	
CJ58	1-216-295-91	CONDUCTOR, CHIP	
CJ59	1-216-295-91	CONDUCTOR, CHIP	
CJ60	1-216-295-91	CONDUCTOR, CHIP	
CJ62	1-216-295-91	CONDUCTOR, CHIP	
CJ63	1-216-295-91	CONDUCTOR, CHIP	
<CONNECTOR>			
CN1509	* 1-564-506-11	PLUG, CONNECTOR 3P	
CN1513	* 1-564-506-11	PLUG, CONNECTOR 3P	
CN1612	* 1-564-507-11	PLUG, CONNECTOR 4P	
CN1642	* 1-564-507-11	PLUG, CONNECTOR 4P	
CN1672	* 1-564-507-11	PLUG, CONNECTOR 4P	
CN1716	* 1-564-507-11	PLUG, CONNECTOR 4P	
CN1756	* 1-564-508-11	PLUG, CONNECTOR 5P	
CN1757	* 1-564-516-11	PLUG, CONNECTOR 13P	
<DIODE>			
D1501	8-719-908-03	DIODE GP08D	
D1502	8-719-109-89	DIODE RD5.6ESB2	
D1503	8-719-908-03	DIODE GP08D	
D1505	8-719-109-88	DIODE RD5.6ESB1	
D1551	8-719-109-72	DIODE RD3.9ESB2	
D1552	8-719-911-19	DIODE 1SS119-25	
D1553	8-719-911-19	DIODE 1SS119-25	
D1601	8-719-908-03	DIODE GP08D	
D1602	8-719-908-03	DIODE GP08D	
D1603	8-719-908-03	DIODE GP08D	
D1604	8-719-908-03	DIODE GP08D	
D1803	8-719-911-19	DIODE 1SS119-25	
D1812	8-719-911-19	DIODE 1SS119-25	
D1814	8-719-911-19	DIODE 1SS119-25	
D1825	8-719-911-19	DIODE 1SS119-25	

The components identified by shading and mark Δ are critical for safety. Replace only with part number specified.

Les composants identifiés par une trame et une marque Δ sont critiques pour la sécurité. Ne les remplacer que par une pièce portant le numéro spécifié.



REF. NO.	PART NO.	DESCRIPTION	REMARK	REF. NO.	PART NO.	DESCRIPTION	REMARK
				<RESISTOR>			
D1826	8-719-911-19	DIODE 1SS119-25		R1501	1-216-049-91	METAL GLAZE 1K	5% 1/10W
D1827	8-719-109-68	DIODE RD3.6ESB1		R1502	1-208-814-11	METAL CHIP 22K	0.50% 1/10W
D1931	8-719-110-60	DIODE RD24ESB		R1504	1-216-081-00	METAL GLAZE 22K	5% 1/10W
D1932	8-719-110-60	DIODE RD24ESB		R1505	1-216-085-00	METAL GLAZE 33K	5% 1/10W
D1934	8-719-110-60	DIODE RD24ESB		R1506	1-216-049-91	METAL GLAZE 1K	5% 1/10W
D1935	8-719-110-60	DIODE RD24ESB		R1507	1-208-814-11	METAL CHIP 22K	0.50% 1/10W
D1936	8-719-110-60	DIODE RD24ESB		R1508	1-216-057-00	METAL GLAZE 2.2K	5% 1/10W
D1937	8-719-110-60	DIODE RD24ESB		R1509 Δ	1-249-383-91	CARBON 1.5	5% 1/4W F
D1942	8-719-110-60	DIODE RD24ESB		R1510	1-214-671-11	METAL 3.9	1% 1/4W
D1945	8-719-110-60	DIODE RD24ESB		R1511	1-214-671-11	METAL 3.9	1% 1/4W
D1946	8-719-110-60	DIODE RD24ESB		R1512	1-215-914-11	METAL OXIDE 330	5% 3W F
D1947	8-719-110-60	DIODE RD24ESB		R1513	1-214-671-11	METAL 3.9	1% 1/4W
D1948	8-719-110-36	DIODE RD13ESB2		R1514	1-216-632-11	METAL CHIP 160	0.50% 1/10W
D1949	8-719-110-60	DIODE RD24ESB		R1515	1-216-639-11	METAL CHIP 330	0.50% 1/10W
D1951	8-719-110-36	DIODE RD13ESB2		R1516	1-214-671-11	METAL 3.9	1% 1/4W
D1953	8-719-110-36	DIODE RD13ESB2		R1517	1-216-647-11	METAL CHIP 680	0.50% 1/10W
D1954	8-719-110-36	DIODE RD13ESB2		R1518	1-216-665-11	METAL CHIP 3.9K	0.50% 1/10W
				R1519 Δ	1-249-385-91	CARBON 2.2	5% 1/4W F
				R1520 Δ	1-249-385-91	CARBON 2.2	5% 1/4W F
				R1521	1-216-049-91	METAL GLAZE 1K	5% 1/10W
				R1522	1-216-049-91	METAL GLAZE 1K	5% 1/10W
				R1523	1-216-033-00	METAL GLAZE 220	5% 1/10W
				R1551	1-216-081-00	METAL GLAZE 22K	5% 1/10W
				R1552	1-216-063-91	METAL GLAZE 3.9K	5% 1/10W
				R1553	1-216-077-00	METAL GLAZE 15K	5% 1/10W
				R1554	1-216-049-91	METAL GLAZE 1K	5% 1/10W
				R1559	1-216-073-00	METAL GLAZE 10K	5% 1/10W
				R1562	1-216-025-91	METAL GLAZE 100	5% 1/10W
				R1603	1-216-663-11	METAL CHIP 3.3K	0.50% 1/10W
				R1604	1-216-663-11	METAL CHIP 3.3K	0.50% 1/10W
				R1605	1-216-663-11	METAL CHIP 3.3K	0.50% 1/10W
				R1606	1-216-663-11	METAL CHIP 3.3K	0.50% 1/10W
				R1607	1-216-663-11	METAL CHIP 3.3K	0.50% 1/10W
				R1608	1-214-729-00	METAL 1K	1% 1/4W
				R1612	1-214-729-00	METAL 1K	1% 1/4W
				R1613	1-214-673-00	METAL 4.7	1% 1/4W
				R1615	1-214-673-00	METAL 4.7	1% 1/4W
				R1616	1-214-673-00	METAL 4.7	1% 1/4W
				R1618	1-214-673-00	METAL 4.7	1% 1/4W
				R1619	1-214-673-00	METAL 4.7	1% 1/4W
				R1620	1-214-673-00	METAL 4.7	1% 1/4W
				R1621	1-214-673-00	METAL 4.7	1% 1/4W
				R1622	1-214-673-00	METAL 4.7	1% 1/4W
				R1623	1-214-729-00	METAL 1K	1% 1/4W
				R1624	1-214-729-00	METAL 1K	1% 1/4W
				R1625	1-214-673-00	METAL 4.7	1% 1/4W
				R1626	1-214-673-00	METAL 4.7	1% 1/4W
				R1627	1-214-673-00	METAL 4.7	1% 1/4W
				R1628	1-214-673-00	METAL 4.7	1% 1/4W
				R1629	1-214-673-00	METAL 4.7	1% 1/4W
				R1630	1-214-673-00	METAL 4.7	1% 1/4W
				R1631	1-214-729-00	METAL 1K	1% 1/4W
				R1632	1-214-673-00	METAL 4.7	1% 1/4W
				R1633	1-214-673-00	METAL 4.7	1% 1/4W
				R1634	1-214-729-00	METAL 1K	1% 1/4W
				R1635	1-214-673-00	METAL 4.7	1% 1/4W
				R1636	1-214-673-00	METAL 4.7	1% 1/4W
				R1637	1-214-673-00	METAL 4.7	1% 1/4W
				R1638	1-214-673-00	METAL 4.7	1% 1/4W
				R1639	1-214-673-00	METAL 4.7	1% 1/4W
				R1640	1-214-673-00	METAL 4.7	1% 1/4W
				R1641	1-214-673-00	METAL 4.7	1% 1/4W
				R1642	1-214-673-00	METAL 4.7	1% 1/4W
				R1643 Δ	1-202-967-91	FUSIBLE 0.1	10% 1/6W
				R1644 Δ	1-202-967-91	FUSIBLE 0.1	10% 1/6W
				R1645 Δ	1-202-967-91	FUSIBLE 0.1	10% 1/6W
				R1646 Δ	1-202-967-91	FUSIBLE 0.1	10% 1/6W
				<FUSE>			
F1601 Δ	1-532-745-11	FUSE GLASS TUBE (3.15A/125V)					
	1-533-223-11	CLIP, FUSE ; F601					
F1602 Δ	1-532-745-11	FUSE GLASS TUBE (3.15A/125V)					
	1-533-223-11	CLIP, FUSE ; F602					
				<IC>			
IC1501	8-759-192-71	IC STV9379					
IC1601	8-749-010-88	IC STK392-010					
IC1602	8-749-010-88	IC STK392-010					
IC1701	8-752-861-57	IC CXP85112B-613S					
IC1702	8-759-041-54	IC MN1382S					
IC1801	8-759-327-52	IC PM0002B					
IC1802	8-759-327-51	IC PA0053B					
IC1803	8-759-012-67	IC MC7905CT					
IC1804	8-759-231-53	IC TA7805S					
IC1805	8-759-327-52	IC PM0002B					
IC1806	8-759-327-51	IC PA0053B					
IC1807	8-759-929-65	IC LM7912CT					
IC1808	8-759-701-79	IC NJM7812FA					
IC1809	8-759-327-52	IC PM0002B					
IC1931	8-759-711-28	IC NJM2058D					
IC1932	8-759-711-28	IC NJM2058D					
				<COIL>			
L1501	1-412-533-21	INDUCTOR 47 μ H					
L1502	1-412-533-21	INDUCTOR 47 μ H					
L1503	1-412-524-11	INDUCTOR 8.2 μ H					
L1515	1-410-470-11	INDUCTOR 10 μ H					
L1516	1-410-482-31	INDUCTOR 100 μ H					
L1701	1-410-470-11	INDUCTOR 10 μ H					
L1801	1-406-975-21	COIL, CHOKE 47 μ H					
L1802	1-406-975-21	COIL, CHOKE 47 μ H					
				<TRANSISTOR>			
Q1501	8-729-120-28	TRANSISTOR 2SC1623-L5L6					
Q1502	8-729-120-28	TRANSISTOR 2SC1623-L5L6					
Q1551	8-729-216-22	TRANSISTOR 2SA1162-G					
Q1552	8-729-120-28	TRANSISTOR 2SC1623-L5L6					
Q1701	8-729-120-28	TRANSISTOR 2SC1623-L5L6					
Q1801	8-729-120-28	TRANSISTOR 2SC1623-L5L6					
Q1802	8-729-216-22	TRANSISTOR 2SA1162-G					
Q1803	8-729-900-36	TRANSISTOR DTC124ES					
Q1804	8-729-120-28	TRANSISTOR 2SC1623-L5L6					
Q1805	8-729-900-36	TRANSISTOR DTC124ES					



REF. NO.	PART NO.	DESCRIPTION	REMARK
R1940	1-208-812-11	METAL CHIP 18K	0.50% 1/10W
R1941	1-208-806-11	METAL CHIP 10K	0.50% 1/10W
R1942	1-208-806-11	METAL CHIP 10K	0.50% 1/10W
R1943	1-216-699-11	METAL CHIP 100K	0.50% 1/10W
R1944	1-208-806-11	METAL CHIP 10K	0.50% 1/10W
R1947	1-216-073-00	METAL GLAZE 10K	5% 1/10W
R1948	1-216-093-00	METAL GLAZE 68K	5% 1/10W
R1949	1-216-659-11	METAL CHIP 2.2K	0.50% 1/10W
R1950	1-216-659-11	METAL CHIP 2.2K	0.50% 1/10W
R1951	1-208-806-11	METAL CHIP 10K	0.50% 1/10W
R1952	1-208-806-11	METAL CHIP 10K	0.50% 1/10W
R1954	1-208-806-11	METAL CHIP 10K	0.50% 1/10W
R1955	1-208-806-11	METAL CHIP 10K	0.50% 1/10W
R1956	1-208-800-11	METAL CHIP 5.6K	0.50% 1/10W
R1957	1-208-824-11	METAL CHIP 56K	0.50% 1/10W
R1958	1-208-800-11	METAL CHIP 5.6K	0.50% 1/10W
R1959	1-208-824-11	METAL CHIP 56K	0.50% 1/10W
R1960	1-208-806-11	METAL CHIP 10K	0.50% 1/10W
R1961	1-208-806-11	METAL CHIP 10K	0.50% 1/10W
R1962	1-216-077-00	METAL GLAZE 15K	5% 1/10W
R1963	1-216-073-00	METAL GLAZE 10K	5% 1/10W
R1964	1-216-049-91	METAL GLAZE 1K	5% 1/10W
R1965	1-216-073-00	METAL GLAZE 10K	5% 1/10W
R1966	1-216-073-00	METAL GLAZE 10K	5% 1/10W
R1967	1-216-071-00	METAL GLAZE 8.2K	5% 1/10W
R1970	1-208-774-11	METAL CHIP 470	0.50% 1/10W
R1971	1-216-667-11	METAL CHIP 4.7K	0.50% 1/10W
R1981	1-216-473-11	METAL OXIDE 56	5% 3W F
R1982	1-216-473-11	METAL OXIDE 56	5% 3W F
R1983	1-216-077-00	METAL GLAZE 15K	5% 1/10W
R1984	1-216-077-00	METAL GLAZE 15K	5% 1/10W
R1985	1-216-025-91	METAL GLAZE 100	5% 1/10W
<THERMISTOR>			
TH1501	1-807-925-11	THERMISTOR	
TH1801	1-808-269-11	THERMISTOR	
<CRYSTAL>			
X1701	1-579-917-11	VIBRATOR, CRYSTAL	

* A-1372-111-A HB BOARD, COMPLETE (KP-46V25/53V25) *****			
<CAPACITOR>			
C1351	1-124-261-00	ELECT 10μF	20% 50V
<IC>			
IC1531	8-741-790-11	RAY CATCHER ELEMENT SBX1790-51	
<CONNECTOR>			
CN1389	* 1-564-518-11	PLUG, CONNECTOR 3P	
<RESISTOR>			
R1352	1-247-807-31	CARBON 100	5% 1/4W

REF. NO.	PART NO.	DESCRIPTION	REMARK
* A-1372-112-A HA BOARD, COMPLETE (KP-46V25/53V25) *****			
* A-1372-099-A HA BOARD, COMPLETE (KP-61V25) *****			
<CAPACITOR>			
C1301	1-126-964-11	ELECT 10μF	20% 50V
C1304	1-126-964-11	ELECT 10μF	20% 50V (KP-61V25)
<CONNECTOR>			
CN1346	1-564-524-11	PLUG, CONNECTOR 9P	
CN1347	* 1-564-521-11	PLUG, CONNECTOR 6P	
CN1349	* 1-564-518-11	PLUG, CONNECTOR 3P (KP-46V25/53V25)	
<DIODE>			
D1304	8-719-053-43	DIODE SLR-325VCT31	
D1305	8-719-053-43	DIODE SLR-325VCT31	
<IC>			
IC1301	8-741-780-51	IC SBX1780-51 (KP-61V25)	
<JACK>			
J1301	1-750-517-11	JACK BLOCK, PIN 3P	
<RESISTOR>			
R1302	1-249-416-11	CARBON 820	5% 1/4W
R1303	1-249-417-11	CARBON 1K	5% 1/4W
R1304	1-249-425-11	CARBON 4.7K	5% 1/4W
R1305	1-249-411-11	CARBON 330	5% 1/4W
R1306	1-249-411-11	CARBON 330	5% 1/4W
R1307	1-249-420-11	CARBON 1.8K	5% 1/4W
R1308	1-247-895-91	CARBON 470K	5% 1/4W
R1309	1-247-895-91	CARBON 470K	5% 1/4W
R1310	1-249-429-11	CARBON 10K	5% 1/4W
R1311	1-247-815-91	CARBON 220	5% 1/4W
R1312	1-247-804-11	CARBON 75	5% 1/4W
R1313	1-535-303-00	LEAD, JUMPER (5.0mm)	(KP-61V25)
R1314	1-247-807-31	CARBON 100	5% 1/4W (KP-61V25)
<SWITCH>			
S1301	1-571-731-11	SWITCH, TACTIL	
S1302	1-571-731-11	SWITCH, TACTIL	
S1303	1-571-731-11	SWITCH, TACTIL	
S1304	1-571-731-11	SWITCH, TACTIL	
S1305	1-571-731-11	SWITCH, TACTIL	
S1306	1-571-731-11	SWITCH, TACTIL	
S1307	1-571-731-11	SWITCH, TACTIL	

* A-1373-514-A U BOARD, COMPLETE *****			
<CAPACITOR>			
C1101	1-128-551-11	ELECT 22μF	20% 50V



REF. NO.	PART NO.	DESCRIPTION	REMARK	REF. NO.	PART NO.	DESCRIPTION	REMARK
C1101	1-128-551-11	ELECT	22μF 20% 50V	D1124	8-719-110-36	DIODE RD13ESB2	
C1102	1-124-903-11	ELECT	1μF 20% 50V	D1125	8-719-109-66	DIODE RD3.3ESB2	
C1103	1-124-903-11	ELECT	1μF 20% 50V	D1126	8-719-110-17	DIODE RD10ESB2	
C1104	1-163-031-11	CERAMIC CHIP	0.01μF 50V	D1127	8-719-110-17	DIODE RD10ESB2	
C1105	1-128-551-11	ELECT	22μF 20% 50V	D1128	8-719-110-56	DIODE RD22ESB1	
C1106	1-128-551-11	ELECT	22μF 20% 50V	D1129	8-719-110-56	DIODE RD22ESB1	
C1107	1-124-903-11	ELECT	1μF 20% 50V	D1130	8-719-110-56	DIODE RD22ESB1	
C1108	1-124-903-11	ELECT	1μF 20% 50V	D1131	8-719-110-56	DIODE RD22ESB1	
C1109	1-128-551-11	ELECT	22μF 20% 50V	D1135	8-719-911-19	DIODE 1SS119-25	
C1110	1-124-903-11	ELECT	1μF 20% 50V				
C1111	1-124-903-11	ELECT	1μF 20% 50V			<IC>	
C1121	1-126-935-11	ELECT	470μF 20% 16V	IC1101	8-752-068-46	IC CXA1855S	
C1122	1-163-117-00	CERAMIC CHIP	100PF 5% 50V	IC1102	8-759-701-59	IC NJM78M09FA	
C1123	1-124-903-11	ELECT	1μF 20% 50V				
C1124	1-128-551-11	ELECT	22μF 20% 50V			<JACK>	
C1125	1-124-903-11	ELECT	1μF 20% 50V	J1101	1-750-515-11	TERMINAL BLOCK, S 3P	
C1126	1-104-665-11	ELECT	100μF 20% 25V	J1102	1-750-517-11	JACK BLOCK, PIN 3P	
C1127	1-104-663-11	ELECT	33μF 20% 25V	J1103	1-750-545-11	JACK BLOCK, PIN 3P	
C1128	1-163-117-00	CERAMIC CHIP	100PF 5% 50V	J1104	1-750-517-11	JACK BLOCK, PIN 3P	
C1129	1-128-551-11	ELECT	22μF 20% 50V	J1105	1-750-516-11	JACK BLOCK, PIN 2P	
C1130	1-109-889-11	ELECT	1μF 20% 50V	J1106	1-563-760-11	JACK, MINIATURER (DIA. 3.5)	
C1131	1-109-889-11	ELECT	1μF 20% 50V	J1107	1-563-760-11	JACK, MINIATURER (DIA. 3.5)	
C1132	1-124-902-00	ELECT	0.47μF 20% 50V				
C1136	1-128-551-11	ELECT	22μF 20% 50V			<COIL>	
C1137	1-164-232-11	CERAMIC CHIP	0.01μF 10% 50V	L1101	1-410-476-11	INDUCTOR 33μH	
C1138	1-124-902-00	ELECT	0.47μF 20% 50V	L1104	1-410-473-11	INDUCTOR 18μH	
C1139	1-126-964-11	ELECT	10μF 20% 50V	L1105	1-410-494-11	INDUCTOR 1mH	
C1145	1-128-499-11	ELECT	220μF 20% 16V				
C1146	1-124-902-00	ELECT	0.47μF 20% 50V			<TRANSISTOR>	
C1147	1-124-902-00	ELECT	0.47μF 20% 50V	Q1102	8-729-216-22	TRANSISTOR 2SA1162-G	
C1148	1-124-902-00	ELECT	0.47μF 20% 50V	Q1103	8-729-216-22	TRANSISTOR 2SA1162-G	
C1149	1-124-902-00	ELECT	0.47μF 20% 50V	Q1104	8-729-422-27	TRANSISTOR 2SD601A-Q	
C1150	1-128-499-11	ELECT	220μF 20% 16V	Q1105	8-729-216-22	TRANSISTOR 2SA1162-G	
C1151	1-128-499-11	ELECT	220μF 20% 16V	Q1106	8-729-216-22	TRANSISTOR 2SA1162-G	
C1152	1-128-499-11	ELECT	220μF 20% 16V	Q1107	8-729-422-27	TRANSISTOR 2SD601A-Q	
C1153	1-104-665-11	ELECT	100μF 20% 25V	Q1108	8-729-422-27	TRANSISTOR 2SD601A-Q	
		<CHIP CONDUCTOR>		Q1109	8-729-216-22	TRANSISTOR 2SA1162-G	
CJ1101	1-216-295-91	CONDUCTOR, CHIP		Q1110	8-729-216-22	TRANSISTOR 2SA1162-G	
		<CONNECTOR>		Q1111	8-729-216-22	TRANSISTOR 2SA1162-G	
CN1147	*1-564-509-11	PLUG, CONNECTOR 6P		Q1112	8-729-422-27	TRANSISTOR 2SD601A-Q	
CN1150	*1-573-300-21	CONNECTOR, BOARD TO BOARD 18P		Q1113	8-729-422-27	TRANSISTOR 2SD601A-Q	
CN1155	*1-565-928-11	CONNECTOR (TUB) 30P		Q1114	8-729-422-27	TRANSISTOR 2SD601A-Q	
CN1156	*1-566-641-11	CONNECTOR, HINGE (TAB) 18P		Q1115	8-729-422-27	TRANSISTOR 2SD601A-Q	
CN1194	*1-573-299-11	CONNECTOR, BOARD TO BOARD 10P					
		<DIODE>				<RESISTOR>	
D1101	8-719-110-17	DIODE RD10ESB2		R1101	1-216-065-00	METAL GLAZE 4.7K 5%	1/10W
D1102	8-719-110-17	DIODE RD10ESB2		R1102	1-216-065-00	METAL GLAZE 4.7K 5%	1/10W
D1103	8-719-110-17	DIODE RD10ESB2		R1103	1-247-804-11	CARBON 75 5%	1/4W
D1104	8-719-110-17	DIODE RD10ESB2		R1104	1-216-065-00	METAL GLAZE 4.7K 5%	1/10W
D1105	8-719-110-17	DIODE RD10ESB2		R1105	1-247-804-11	CARBON 75 5%	1/4W
D1106	8-719-110-17	DIODE RD10ESB2		R1106	1-247-804-11	CARBON 75 5%	1/4W
D1107	8-719-110-17	DIODE RD10ESB2		R1107	1-216-113-00	METAL GLAZE 470K 5%	1/10W
D1108	8-719-110-17	DIODE RD10ESB2		R1108	1-216-065-00	METAL GLAZE 4.7K 5%	1/10W
D1109	8-719-110-17	DIODE RD10ESB2		R1109	1-216-113-00	METAL GLAZE 470K 5%	1/10W
D1111	8-719-110-17	DIODE RD10ESB2		R1110	1-216-065-00	METAL GLAZE 4.7K 5%	1/10W
D1112	8-719-110-17	DIODE RD10ESB2		R1111	1-216-065-00	METAL GLAZE 4.7K 5%	1/10W
D1113	8-719-110-17	DIODE RD10ESB2		R1112	1-216-065-00	METAL GLAZE 4.7K 5%	1/10W
D1114	8-719-110-17	DIODE RD10ESB2		R1113	1-247-804-11	CARBON 75 5%	1/4W
D1115	8-719-110-17	DIODE RD10ESB2		R1114	1-216-113-00	METAL GLAZE 470K 5%	1/10W
D1120	8-719-110-17	DIODE RD10ESB2		R1115	1-216-113-00	METAL GLAZE 470K 5%	1/10W
D1121	8-719-110-36	DIODE RD13ESB2		R1116	1-216-095-00	METAL GLAZE 82K 5%	1/10W
D1122	8-719-110-36	DIODE RD13ESB2		R1117	1-216-095-00	METAL GLAZE 82K 5%	1/10W
D1123	8-719-110-36	DIODE RD13ESB2		R1118	1-216-095-00	METAL GLAZE 82K 5%	1/10W
				R1119	1-216-025-91	METAL GLAZE 100 5%	1/10W



REF. NO.	PART NO.	DESCRIPTION	REMARK
R1127	1-216-041-00	METAL GLAZE 470	5% 1/10W
R1129	1-216-041-00	METAL GLAZE 470	5% 1/10W
R1130	1-216-067-00	METAL GLAZE 5.6K	5% 1/10W
R1132	1-216-025-91	METAL GLAZE 100	5% 1/10W
R1133	1-216-067-00	METAL GLAZE 5.6K	5% 1/10W
R1134	1-216-065-00	METAL GLAZE 4.7K	5% 1/10W
R1135	1-216-065-00	METAL GLAZE 4.7K	5% 1/10W
R1137	1-216-025-91	METAL GLAZE 100	5% 1/10W
R1138	1-216-065-00	METAL GLAZE 4.7K	5% 1/10W
R1140	1-216-025-91	METAL GLAZE 100	5% 1/10W
R1141	1-216-041-00	METAL GLAZE 470	5% 1/10W
R1142	1-216-025-91	METAL GLAZE 100	5% 1/10W
R1145	1-216-051-00	METAL GLAZE 1.2K	5% 1/10W
R1146	1-216-051-00	METAL GLAZE 1.2K	5% 1/10W
R1149	1-216-041-00	METAL GLAZE 470	5% 1/10W
R1150	1-216-025-91	METAL GLAZE 100	5% 1/10W
R1151	1-216-025-91	METAL GLAZE 100	5% 1/10W
R1152	1-216-043-91	METAL GLAZE 560	5% 1/10W
R1153	1-216-049-91	METAL GLAZE 1K	5% 1/10W
R1154	1-216-041-00	METAL GLAZE 470	5% 1/10W
R1155	1-216-049-91	METAL GLAZE 1K	5% 1/10W
R1156	1-216-043-91	METAL GLAZE 560	5% 1/10W
R1157	1-216-045-00	METAL GLAZE 680	5% 1/10W
R1158	1-216-043-91	METAL GLAZE 560	5% 1/10W
R1159	1-216-045-00	METAL GLAZE 680	5% 1/10W
R1160	1-216-049-91	METAL GLAZE 1K	5% 1/10W
R1161	1-216-041-00	METAL GLAZE 470	5% 1/10W
R1162	1-216-041-00	METAL GLAZE 470	5% 1/10W
R1165	1-249-403-11	CARBON 68	5% 1/4W
R1166	1-216-113-00	METAL GLAZE 470K	5% 1/10W
R1167	1-216-113-00	METAL GLAZE 470K	5% 1/10W
R1168	1-216-113-00	METAL GLAZE 470K	5% 1/10W
R1169	1-216-025-91	METAL GLAZE 100	5% 1/10W
R1170	1-216-041-00	METAL GLAZE 470	5% 1/10W
R1171	1-216-041-00	METAL GLAZE 470	5% 1/10W
R1172	1-216-025-91	METAL GLAZE 100	5% 1/10W
R1173	1-216-025-91	METAL GLAZE 100	5% 1/10W
R1174	1-216-041-00	METAL GLAZE 470	5% 1/10W
R1175	1-216-025-91	METAL GLAZE 100	5% 1/10W
R1176	1-216-025-91	METAL GLAZE 100	5% 1/10W
R1178	1-216-041-00	METAL GLAZE 470	5% 1/10W
R1179	1-216-025-91	METAL GLAZE 100	5% 1/10W
R1180	1-216-025-91	METAL GLAZE 100	5% 1/10W
R1181	1-216-097-91	METAL GLAZE 100K	5% 1/10W
R1182	1-216-113-00	METAL GLAZE 470K	5% 1/10W
R1183	1-216-049-91	METAL GLAZE 1K	5% 1/10W
R1184	1-216-113-00	METAL GLAZE 470K	5% 1/10W
R1185	1-216-049-91	METAL GLAZE 1K	5% 1/10W
R1186	1-216-061-00	METAL GLAZE 3.3K	5% 1/10W
R1187	1-216-061-00	METAL GLAZE 3.3K	5% 1/10W
R1188	1-216-097-91	METAL GLAZE 100K	5% 1/10W
R1193	1-216-025-91	METAL GLAZE 100	5% 1/10W
R1194	1-216-025-91	METAL GLAZE 100	5% 1/10W
R1195	1-216-025-91	METAL GLAZE 100	5% 1/10W
R1196	1-216-041-00	METAL GLAZE 470	5% 1/10W
R1197	1-216-041-00	METAL GLAZE 470	5% 1/10W

<TAB>

TB1101 1-537-712-11 TERMINAL, PUSH

* A-1390-487-A ZR BOARD, COMPLETE

4-382-854-11 SCREW (M3X10), P, SW (+)

REF. NO.	PART NO.	DESCRIPTION	REMARK
<CAPACITOR>			
C1401	1-162-115-00	CERAMIC 330PF	10% 2KV
C1402	1-162-115-00	CERAMIC 330PF	10% 2KV
C1403	1-102-978-00	CERAMIC 220PF	5% 50V
C1404	1-107-638-11	ELECT 33µF	20% 160V
C1405	1-104-665-11	ELECT 100µF	20% 25V
C1406	1-107-370-11	FILM 0.1µF	10% 200V
C1407	1-104-665-11	ELECT 100µF	20% 25V
C1408	1-107-362-11	FILM 0.0047µF	10% 200V
C1409	1-107-667-11	ELECT 2.2µF	20% 160V
C1410	1-107-362-11	FILM 0.0047µF	10% 200V
C1411	1-137-364-11	FILM 0.001µF	5% 50V
C1412	1-137-364-11	FILM 0.001µF	5% 50V
C1413	1-161-830-00	CERAMIC 0.0047µF	500V
C1414	1-126-940-11	ELECT 330µF	20% 16V
C1415	1-164-046-11	CERAMIC 10PF	0.5PF 50V
C1416	1-102-973-00	CERAMIC 100PF	5% 50V
<CONNECTOR>			
CN1411	* 1-580-689-11	PIN, CONNECTOR (PC BOARD) 4P	
CN1412	* 1-564-507-11	PLUG, CONNECTOR 4P	
CN1413	* 1-564-506-11	PLUG, CONNECTOR 3P	
CN1414	* 1-564-509-11	PLUG, CONNECTOR 6P	
CN1415	* 1-564-510-11	PLUG, CONNECTOR 7P	
<DIODE>			
D1401	8-719-110-88	DIODE RD39ESB2	
D1402	8-719-110-88	DIODE RD39ESB2	
<TRANSISTOR>			
Q1401	8-729-017-06	TRANSISTOR 2SC4793	
Q1402	8-729-017-05	TRANSISTOR 2SA1837	
Q1403	8-729-140-96	TRANSISTOR 2SD774-34	
<RESISTOR>			
R1401	1-249-414-11	CARBON 560	5% 1/4W
R1402	1-249-414-11	CARBON 560	5% 1/4W
R1403	1-202-822-00	SOLID 2.2K	20% 1/2W
R1404	1-202-822-00	SOLID 2.2K	20% 1/2W
R1405	1-249-417-11	CARBON 1K	5% 1/4W
R1406	1-216-479-11	METAL OXIDE 560	5% 3W F
R1407	1-249-400-11	CARBON 39	5% 1/4W F
R1408	1-249-384-11	CARBON 1.8	5% 1/4W F
R1409	1-249-384-11	CARBON 1.8	5% 1/4W F
R1410	1-247-734-11	CARBON 39	5% 1/2W F
R1411	1-249-417-11	CARBON 1K	5% 1/4W F
R1412	1-249-414-11	CARBON 560	5% 1/4W
R1413	1-249-432-11	CARBON 18K	5% 1/4W
R1414	1-249-432-11	CARBON 18K	5% 1/4W
R1415	1-249-414-11	CARBON 560	5% 1/4W F
R1416	1-216-451-11	METAL OXIDE 120	5% 2W F
R1417	1-216-475-11	METAL OXIDE 120	5% 3W F
R1418	1-249-377-11	CARBON 0.47	5% 1/4W F
R1419	1-247-815-91	CARBON 220	5% 1/4W
R1420	1-216-475-11	METAL OXIDE 120	5% 3W F
R1421	1-249-417-11	CARBON 1K	5% 1/4W

* A-1390-489-A ZG BOARD, COMPLETE



Les composants identifiés par une trame et une marque Δ sont critiques pour la sécurité. Ne les remplacer que par une pièce portant le numéro spécifié.

The components identified by shading and mark Δ are critical for safety. Replace only with part number specified.

REF. NO.	PART NO.	DESCRIPTION	REMARK
<CAPACITOR>			
C1431	1-162-115-00	CERAMIC 330PF 10%	2KV
C1432	1-162-115-00	CERAMIC 330PF 10%	2KV
C1433	1-102-973-00	CERAMIC 100PF 5%	50V

REF. NO.	PART NO.	DESCRIPTION	REMARK
<CONNECTOR>			
CN1441	*1-580-689-11	PIN, CONNECTOR (PC BOARD) 4P	
CN1442	*1-564-507-11	PLUG, CONNECTOR 4P	
CN1443	*1-564-506-11	PLUG, CONNECTOR 3P	
CN1445	*1-564-510-11	PLUG, CONNECTOR 7P	

REF. NO.	PART NO.	DESCRIPTION	REMARK
<RESISTOR>			
R1431	1-249-414-11	CARBON 560 5%	1/4W
R1432	1-249-414-11	CARBON 560 5%	1/4W
R1433	1-202-822-00	SOLID 2.2K 20%	1/2W
R1434	1-202-822-00	SOLID 2.2K 20%	1/2W
R1435	1-216-475-11	METAL OXIDE 120 5%	3W F
R1436	1-216-475-11	METAL OXIDE 120 5%	3W F
R1437	1-249-417-11	CARBON 1K 5%	1/4W

* A-1390-491-A ZB BOARD, COMPLETE

REF. NO.	PART NO.	DESCRIPTION	REMARK
<CAPACITOR>			
C1461	1-162-115-00	CERAMIC 330PF 10%	2KV
C1462	1-162-115-00	CERAMIC 330PF 10%	2KV

REF. NO.	PART NO.	DESCRIPTION	REMARK
<CONNECTOR>			
CN1471	*1-580-689-11	PIN, CONNECTOR (PC BOARD) 4P	
CN1472	*1-564-507-11	PLUG, CONNECTOR 4P	
CN1473	*1-564-506-11	PLUG, CONNECTOR 3P	

REF. NO.	PART NO.	DESCRIPTION	REMARK
<RESISTOR>			
R1461	1-249-414-11	CARBON 560 5%	1/4W
R1462	1-249-414-11	CARBON 560 5%	1/4W
R1463	1-202-822-00	SOLID 2.2K 20%	1/2W
R1464	1-202-822-00	SOLID 2.2K 20%	1/2W
R1465	1-216-475-11	METAL OXIDE 120 5%	3W F
R1466	1-216-475-11	METAL OXIDE 120 5%	3W F

<MISCELLANEOUS>

Δ 1-223-925-11	RESISTOR ASSY (HIGH-VOLTAGE)
1-417-178-11	SELECTOR, ANTENNA (AS-2)
Δ 1-452-790-11	NECK ASSY
Δ 1-452-790-21	NECK ASSY
1-504-785-11	SPEAKER (10CM)
1-556-945-21	CABLE, P-P
* 1-557-056-41	CABLE, P-P
Δ 1-769-837-11	CORD, POWER (WITH NOISE FILTER) (7.0A/125V)
Δ 1-900-211-34	LEAD ASSY, HV
Δ 8-451-463-11	DEFLECTION YOKE (Y829PA2N) (R), (G)

REF. NO.	PART NO.	DESCRIPTION	REMARK
	Δ 8-451-463-21	DEFLECTION YOKE (Y829PA2N2) (B)	
	Δ 8-598-955-00	BLOCK ASSY, HIGH-VOLTAGE	
	8-741-797-01	FILTER, DIGITAL COM SBX1797-01	
V901	Δ 8-736-080-05	PICTURE TUBE 07MAB5(R) (KP-46V25)	
V901	Δ 8-736-082-05	PICTURE TUBE 07MAB6(R) (KP-53V25/61V25)	
V902	Δ 8-736-078-05	PICTURE TUBE 07MAB5(G)	
V903	Δ 8-736-079-05	PICTURE TUBE 07MAB5(B) (KP-46V25)	
V903	Δ 8-736-081-05	PICTURE TUBE 07MAB6(B) (KP-53V25/61V25)	

<ACCESSORIES AND PACKING MATERIALS>

X-4032-707-1	DOOR (L) ASSY, RACK	(KP-46V25/53V25)
X-4032-708-1	DOOR (R) ASSY, RACK	(KP-46V25/53V25)
X-4032-709-1	DOOR ASSY, RACK	(KP-61V25)
3-800-353-21	MANUAL, INSTRUCTION	
3-800-353-31	MANUAL, INSTRUCTION	(KP-46V25/53V25Canadian)
4-048-634-01	SHAFT	
* 4-037-674-01	BOARD, TOP	(KP-46V25)
* 4-047-603-01	CUSHION (UPPER) (ASSY)	(KP-46V25)
* 4-047-604-01	CUSHION (LOWER) (ASSY)	(KP-46V25)
* 4-047-606-01	TRAY	(KP-46V25)
* 4-047-607-01	BOARD, BOTTOM	(KP-46V25)
* 4-047-608-01	INDIVIDUAL CARTON	(KP-46V25)
* 4-049-276-01	SHEET, PROTECTION	(KP-46V25)
* 4-049-923-01	CUSHION (UPPER) (ASSY)	(KP-46V25)
4-048-790-01	GLASS (53), DOOR	(KP-46V25/53V25)
* 4-041-426-01	BAG, PROTECTION	(KP-46V25/53V25)
* 4-047-774-01	PLATE, TOP	(KP-53V25)
* 4-048-087-01	CUSHION (UPPER) (ASSY)	(KP-53V25)
* 4-048-088-01	CUSHION (LOWER) (ASSY)	(KP-53V25)
* 4-049-023-01	BOARD, BOTTOM	(KP-53V25)
* 4-049-024-01	TRAY	(KP-53V25)
* 4-049-031-01	INDIVIDUAL CARTON	(KP-53V25)
* 4-049-508-01	CUSHION (FRONT) (ASSY)	(KP-53V25)
* 4-042-463-01	SHEET, PROTECTION	(KP-53V25/61V25)
* 4-049-193-01	BAG, POLYETHYLENE	(KP-53V25/61V25)
4-048-791-01	GLASS (61), DOOR	(KP-61V25)
* 4-047-553-01	INDIVIDUAL CARTON	(KP-61V25)
* 4-047-554-01	TRAY	(KP-61V25)
* 4-047-555-01	PLATE, TOP	(KP-61V25)
* 4-047-556-01	BOARD, BOTTOM	(KP-61V25)
* 4-047-557-01	CUSHION (UPPER) (ASSY)	(KP-61V25)
* 4-047-558-01	CUSHION (LOWER) (ASSY)	(KP-61V25)
* 4-047-559-01	CUSHION (LEFT UPPER)	(KP-61V25)
* 4-047-560-01	CUSHION (RIGHT UPPER)	(KP-61V25)
* 4-047-561-01	CUSHION (LEFT LOWER)	(KP-61V25)
* 4-047-562-01	CUSHION (RIGHT LOWER)	(KP-61V25)
* 4-049-922-01	BLOCK, FOAM	(KP-61V25)
* 4-049-952-01	BAG, PROTECTION	(KP-61V25)

<ACCESSORIES AND PACKING MATERIALS>

REMOTE COMMANDER *****	
1-473-094-11	REMOTE COMMANDER (RM-Y131) POCKET, COVER (FOR RM-Y131)